

NA6

PARTS CATALOG

PARTS CATALOG

INTRODUCTION

This chapter instructs you the numbers and names of parts on this machine.

INDEX to PARTS CATALOG

NA6	(C228)
DF UNIT	(C550)
DF UNIT TYPE 50	(C562)
SORTER TS20A/20B	(C560/C561)
RT4000	(C563)
TAPE MARKER TYPE20	(C532)

NA6 (C228)

PARTS CATALOG

INTRODUCTION

This chapter instructs you the numbers and names of parts on this machine.

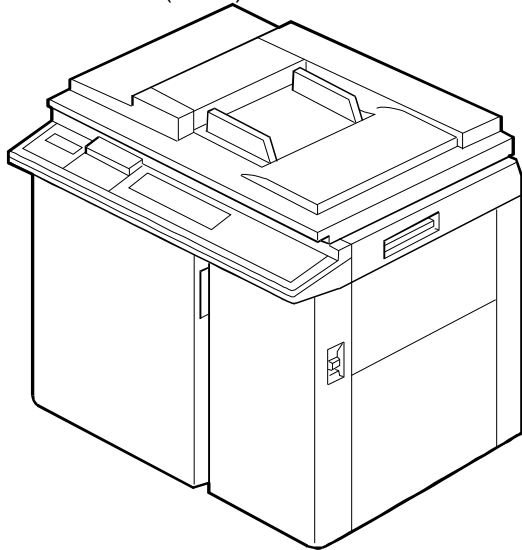
INDEX to PARTS CATALOG

LOCATION OF UNIT	3	17.PAPER EXIT SECTION 3 (C228)	42
1.EXTERIOR (C228)	10	18.PAPER EXIT SECTION 4 (C228)	44
2.PLATEN COVER (C228)	12	19.PAPER EXIT SECTION 5 (C228)	46
3.FRAME SECTION 1 (C228)	14	20.DRUM SECTION 1 (C228)	48
4.FRAME SECTION 2 (C228)	16	21.DRUM SECTION 2 (C228)	50
5.DRIVE SECTION 1 (C228)	18	22.DRUM SECTION 3 (C228)	52
6.DRIVE SECTION 2 (C228)	20	23.DRUM SECTION 4 (C228)	54
7.PAPER TABLE 1 (C228)	22	24.DRUM SECTION 5 (C228)	56
8.PAPER TABLE 2 (C228)	24	25.SCANNER SECTION 1 (C228)	58
9.PAPER FEED & UPPER SEPARATION ROLLERS (C228)	26	26.SCANNER SECTION 2 (C228)	60
10.PAPER SEPARATION 1 (C228)	28	27.SCANNER SECTION 3 (C228)	62
11.PAPER SEPARATION 2 (C228)	30	28.SCANNER SECTION 4 (C228)	64
12.2ND FEED ROLLERS (C228)	32	29.PLOTTER SECTION 1 (C228)	66
13.PAPER FEED DRIVE (C228)	34	30.PLOTTER SECTION 2 (C228)	68
14.PRESS ROLLER (C228)	36	31.PLOTTER SECTION 3 (C228)	70
15.PAPER EXIT SECTION 1 (C228)	38	32.PLOTTER SECTION 4 (C228)	72
16.PAPER EXIT SECTION 2 (C228)	40	33.MASTER EJECT SECTION 1 (C228)	74
		34.MASTER EJECT SECTION 2 (C228)	76

35.MASTER EJECT SECTION 3 (C228)	78
36.ELECTRICAL SECTION 1 (C228)	80
37.ELECTRICAL SECTION 2 (C228)	82
38.ACCESSORIES (C228)	84
39.TABLE SECTION (C228)	86
40.IMAGE PROSSETING BOARD (C228)	88
41.MAIN CONTROL BOARD (C228)	92
42.DECAL AND DOCUMENT (C228)	96
PARTS INDEX	109

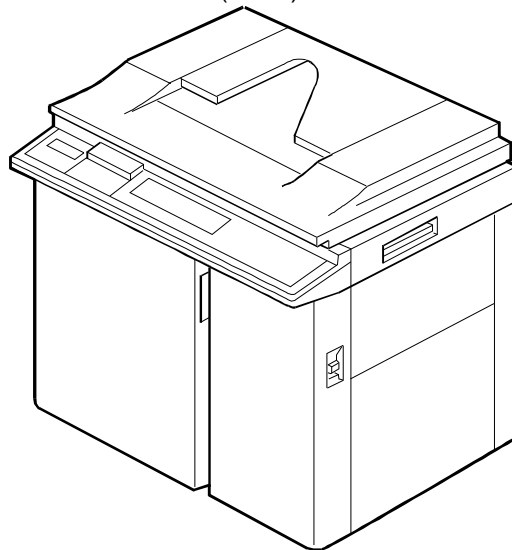
LOCATION OF UNIT

1.EXTERIOR (C228)



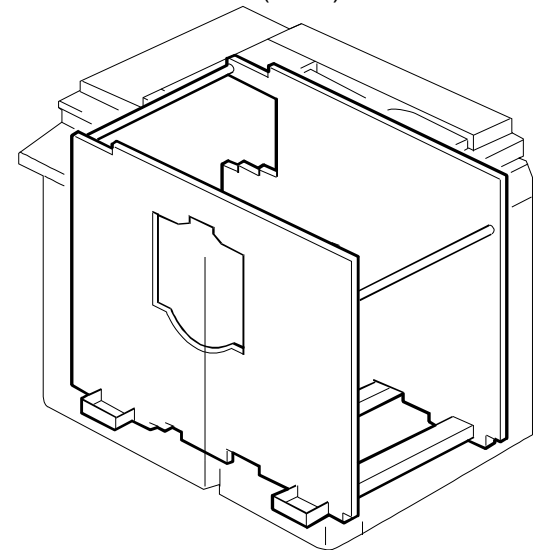
See Page 11

2.PLATEN COVER (C228)



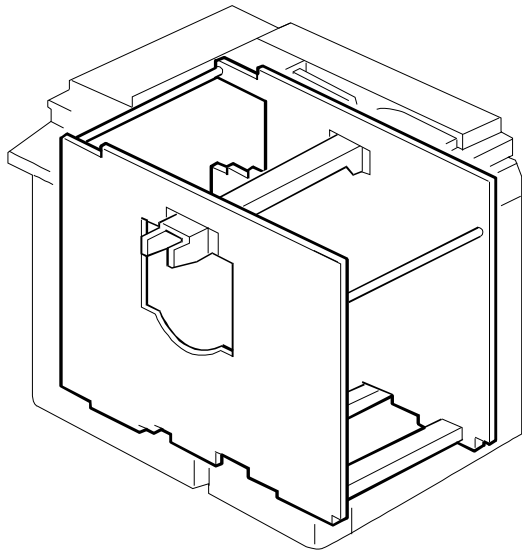
See Page 13

3.FRAME SECTION 1 (C228)



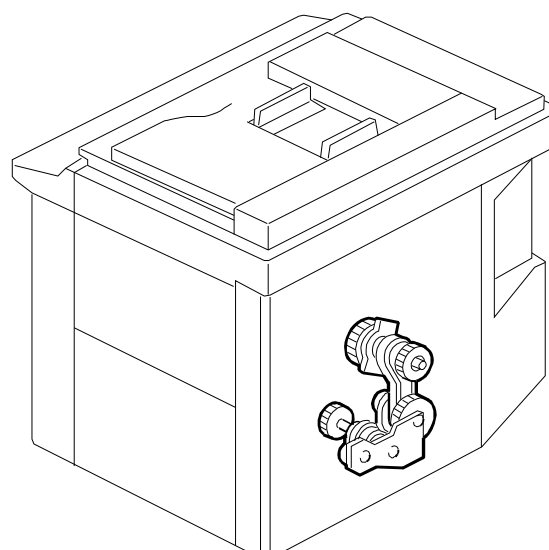
See Page 15

4.FRAME SECTION 2 (C228)



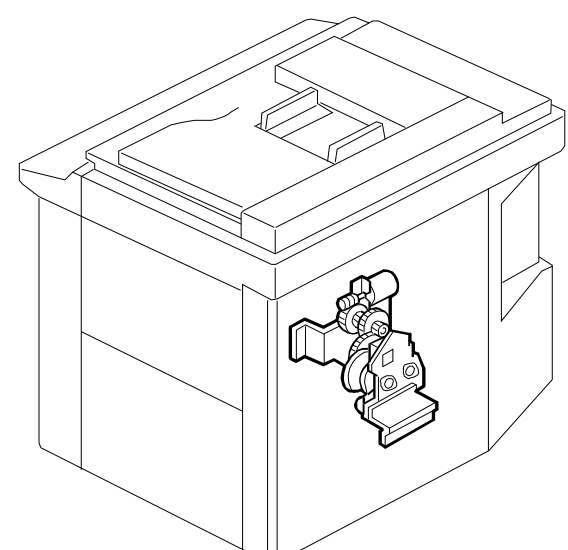
See Page 17

5.DRIVE SECTION 1 (C228)



See Page 19

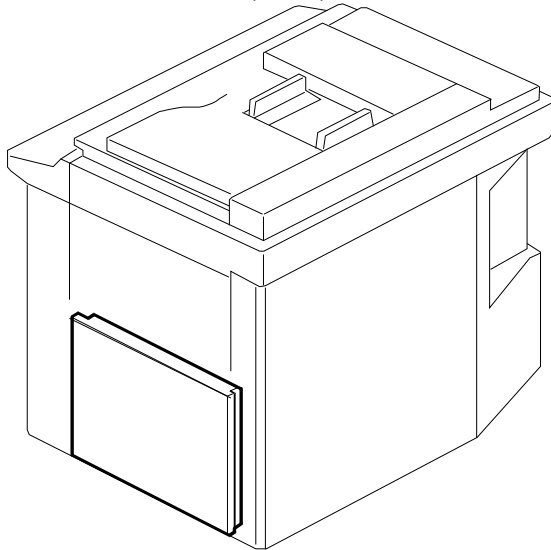
6.DRIVE SECTION 2 (C228)



See Page 21

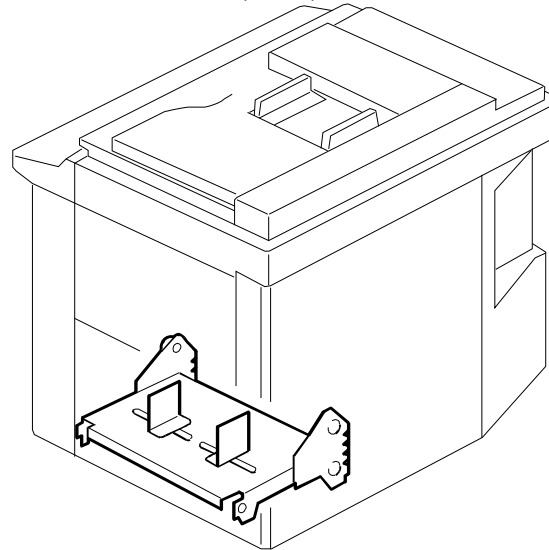
LOCATION OF UNIT

7.PAPER TABLE 1 (C228)



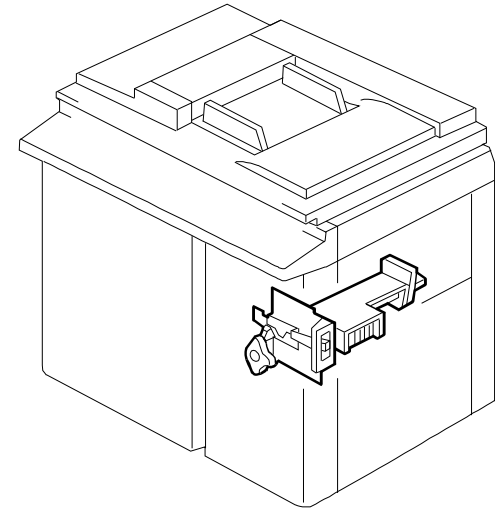
See Page 23

8.PAPER TABLE 2 (C228)



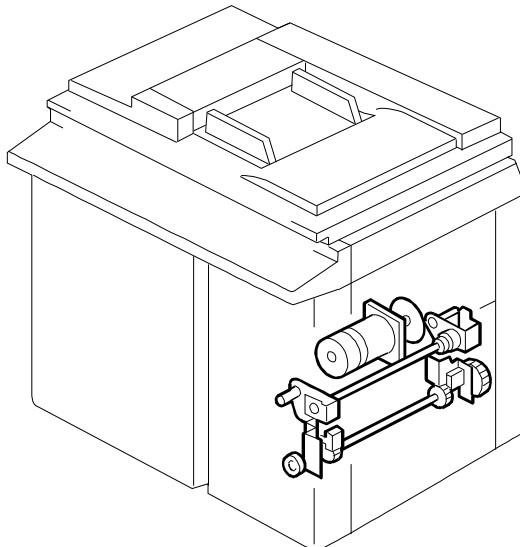
See Page 25

9.PAPER FEED & UPPER SEPARATION ROLLERS (C228)



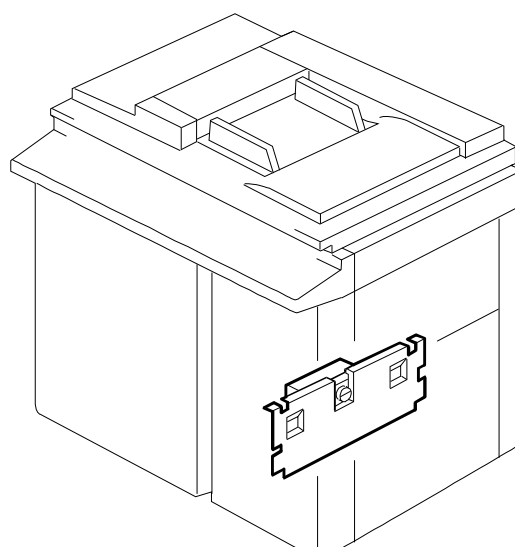
See Page 27

10.PAPER SEPARATION 1 (C228)



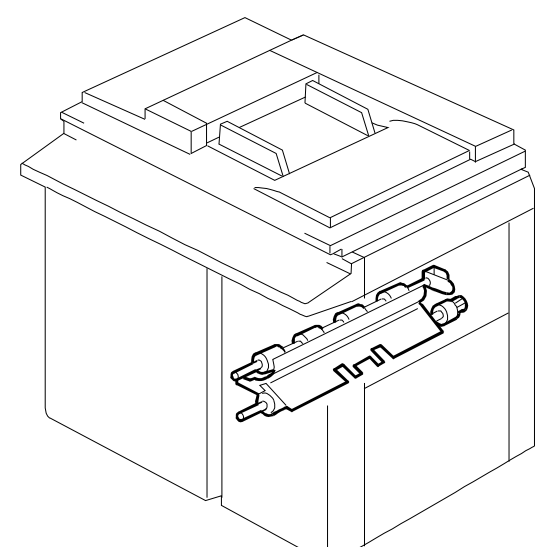
See Page 29

11.PAPER SEPARATION 2 (C228)



See Page 31

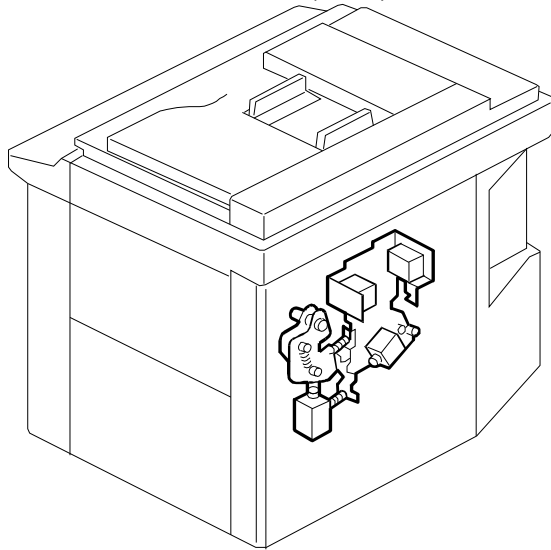
12.2ND FEED ROLLERS (C228)



See Page 33

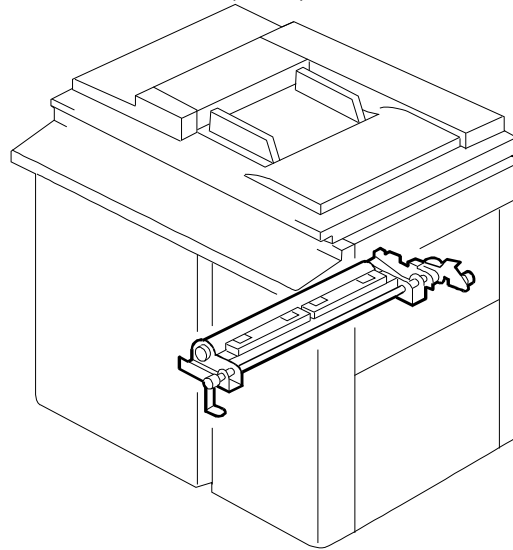
LOCATION OF UNIT

13.PAPER FEED DRIVE (C228)



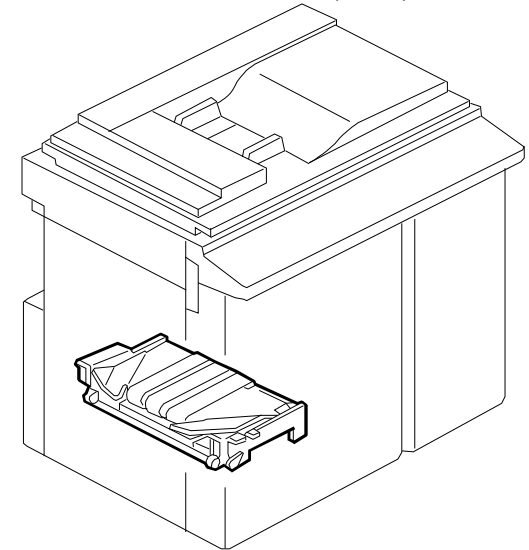
See Page 35

14.PRESS ROLLER (C228)



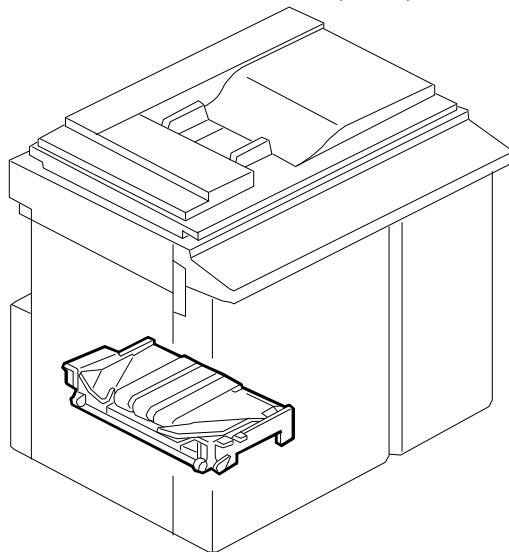
See Page 37

15.PAPER EXIT SECTION 1 (C228)



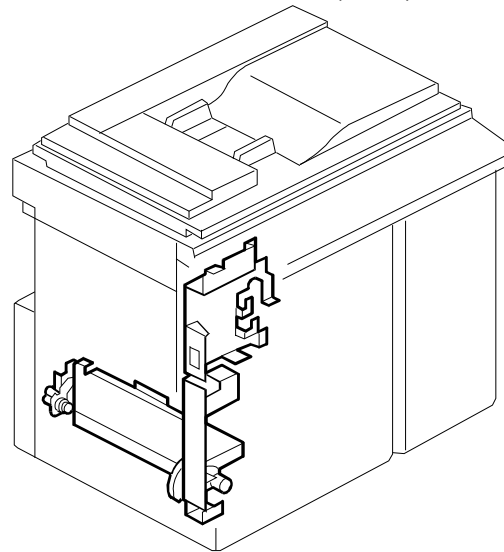
See Page 39

16.PAPER EXIT SECTION 2 (C228)



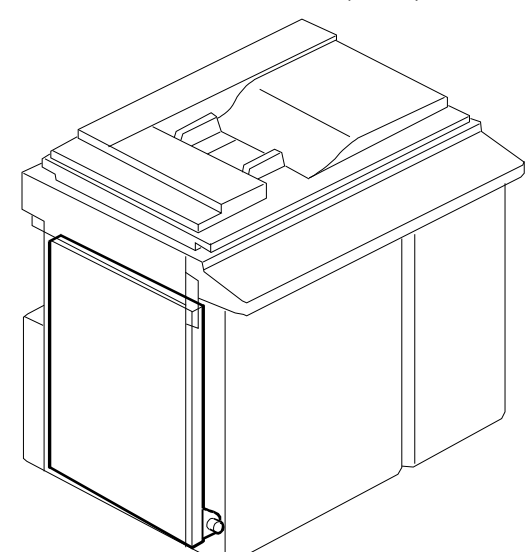
See Page 41

17.PAPER EXIT SECTION 3 (C228)



See Page 43

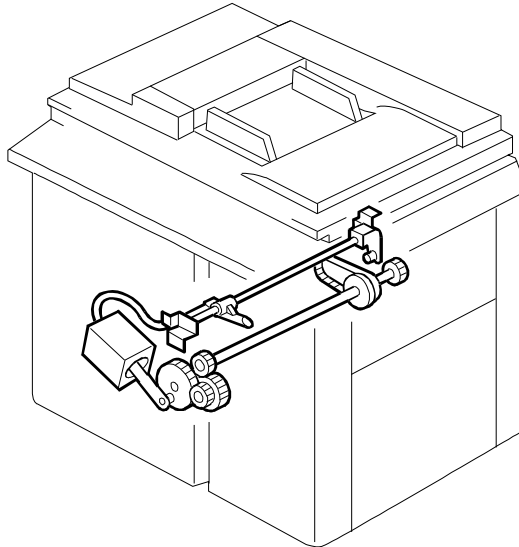
18.PAPER EXIT SECTION 4 (C228)



See Page 45

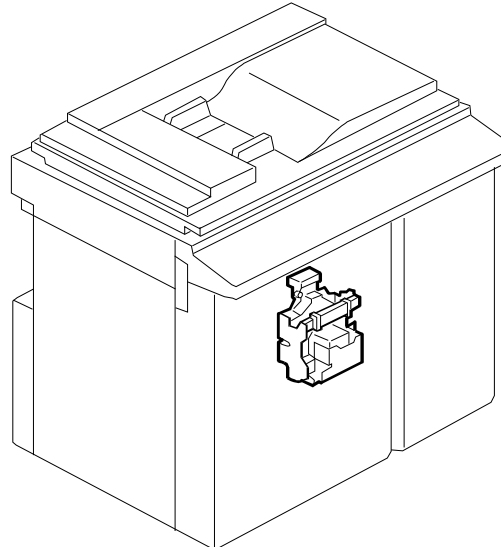
LOCATION OF UNIT

19.PAPER EXIT SECTION 5 (C228)



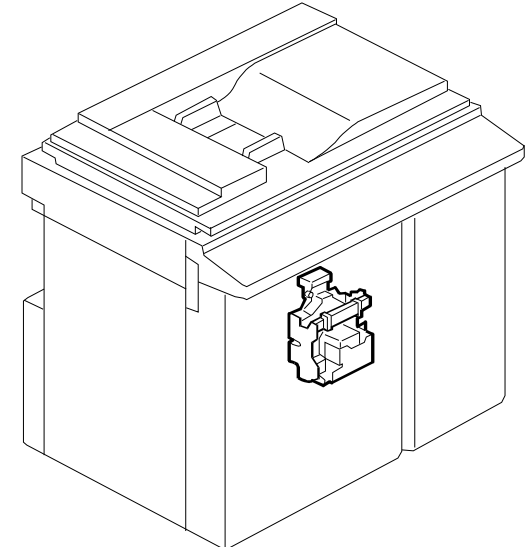
See Page 47

20.DRUM SECTION 1 (C228)



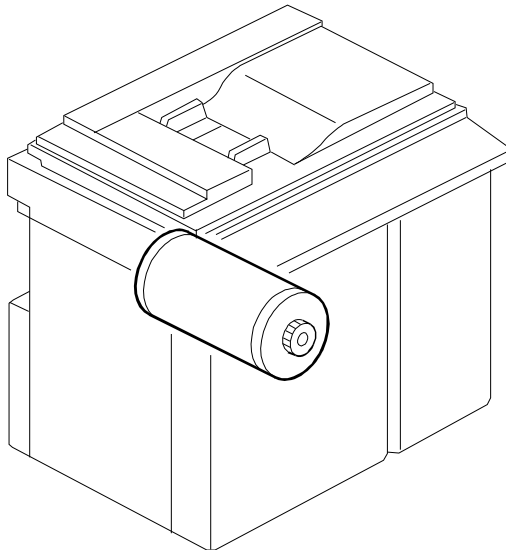
See Page 49

21.DRUM SECTION 2 (C228)



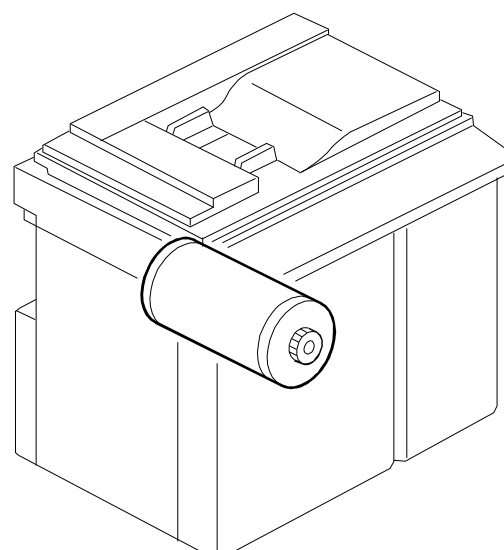
See Page 51

22.DRUM SECTION 3 (C228)



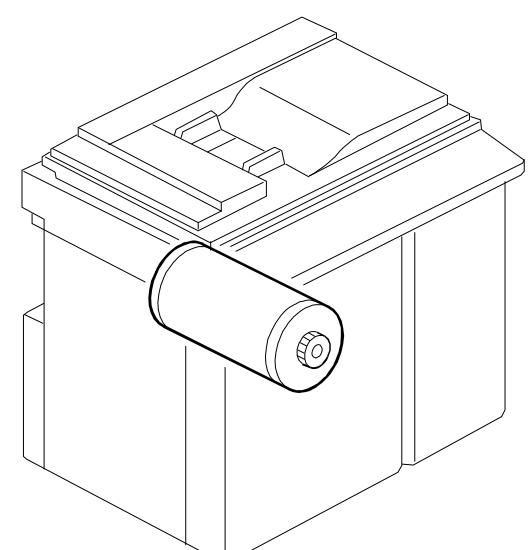
See Page 53

23.DRUM SECTION 4 (C228)



See Page 55

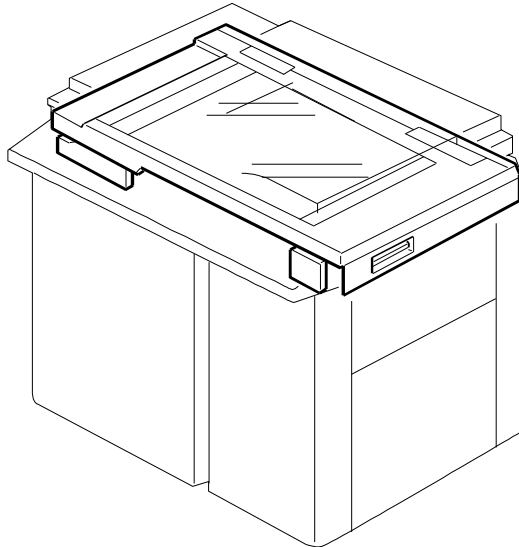
24.DRUM SECTION 5 (C228)



See Page 57

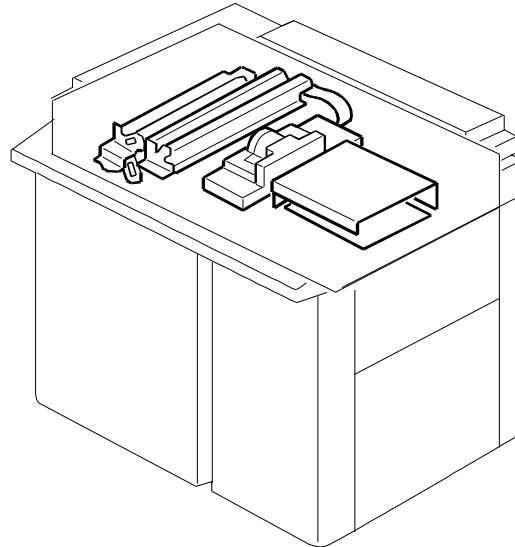
LOCATION OF UNIT

25. SCANNER SECTION 1 (C228)



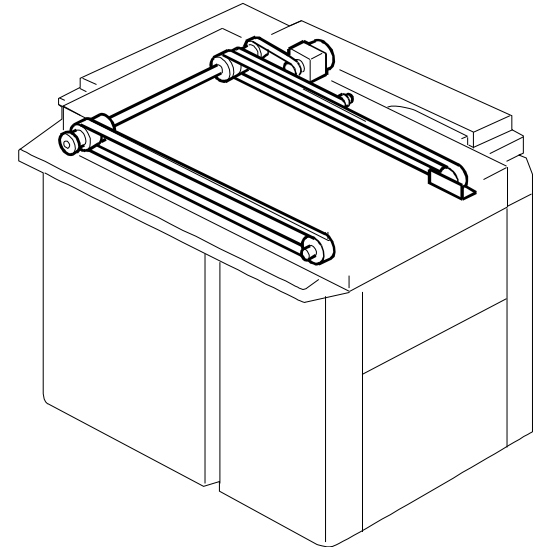
See Page 59

26. SCANNER SECTION 2 (C228)



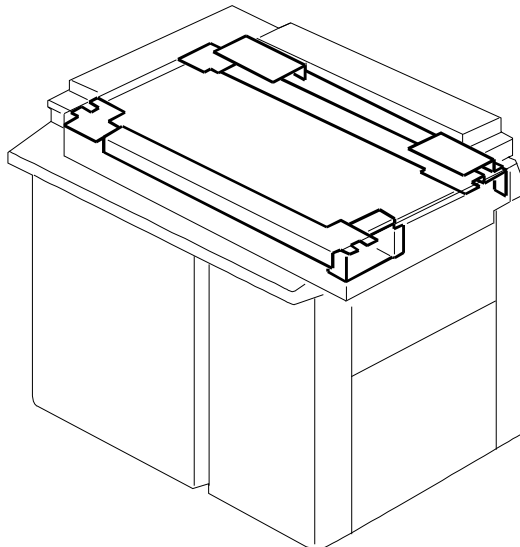
See Page 61

27. SCANNER SECTION 3 (C228)



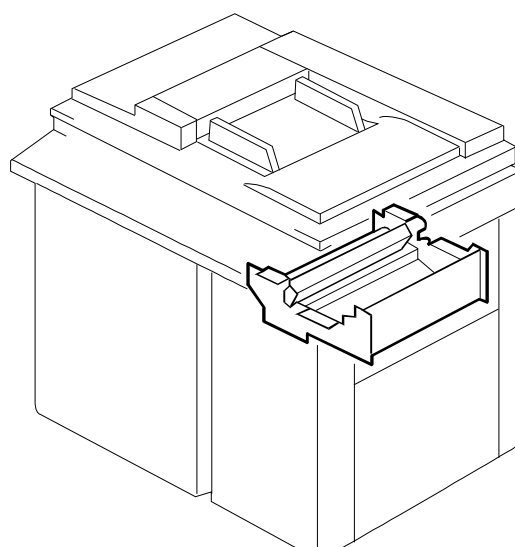
See Page 63

28. SCANNER SECTION 4 (C228)



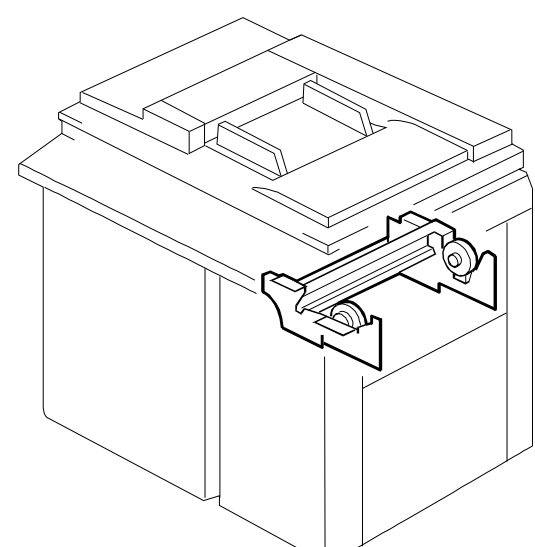
See Page 65

29. PLOTTER SECTION 1 (C228)



See Page 67

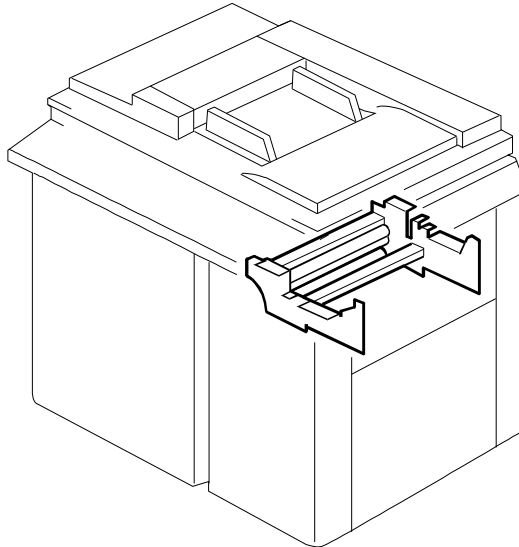
30. PLOTTER SECTION 2 (C228)



See Page 69

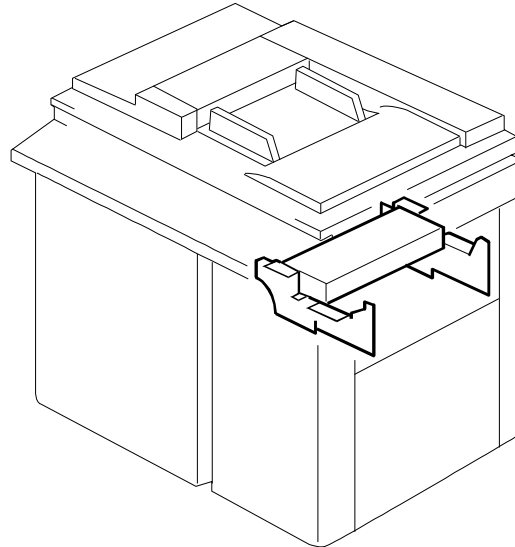
LOCATION OF UNIT

31.PLOTTER SECTION 3 (C228)



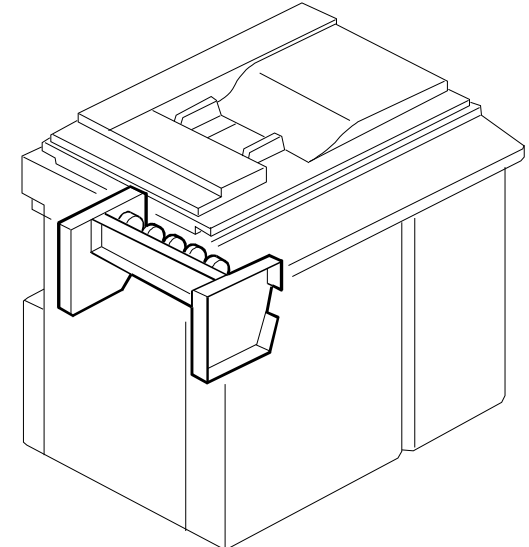
See Page 71

32.PLOTTER SECTION 4 (C228)



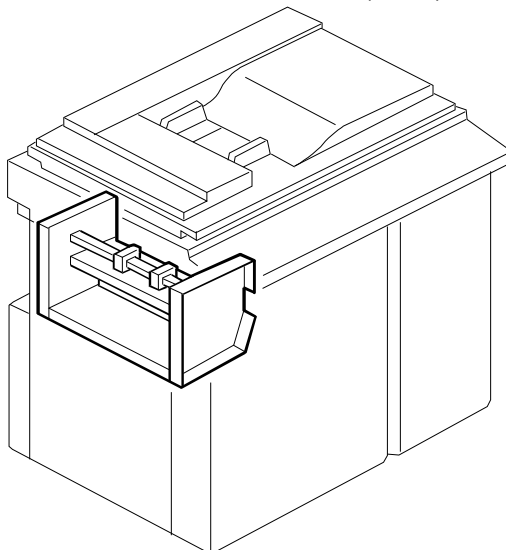
See Page 73

33.MASTER EJECT SECTION 1 (C228)



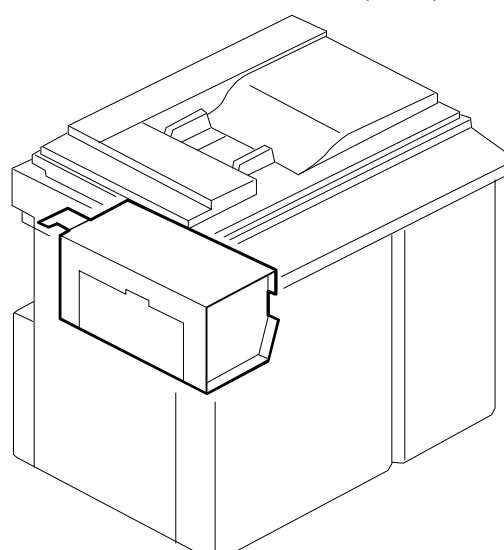
See Page 75

34.MASTER EJECT SECTION 2 (C228)



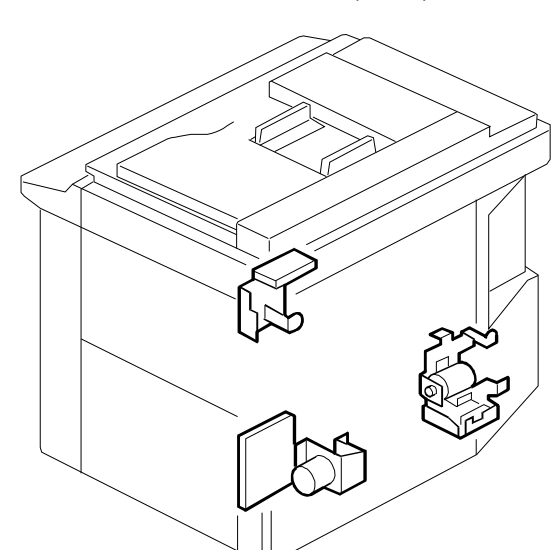
See Page 77

35.MASTER EJECT SECTION 3 (C228)



See Page 79

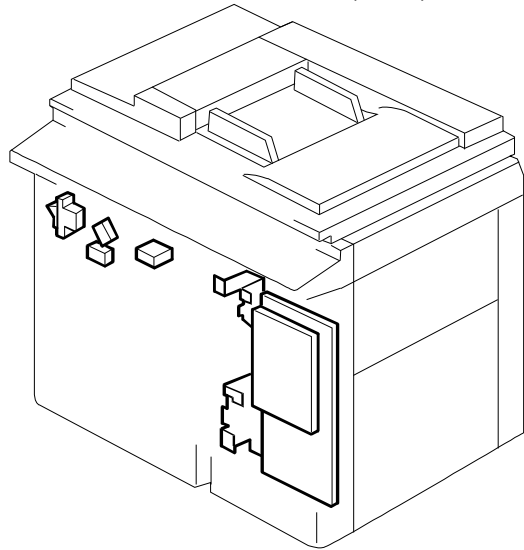
36.ELECTRICAL SECTION 1 (C228)



See Page 81

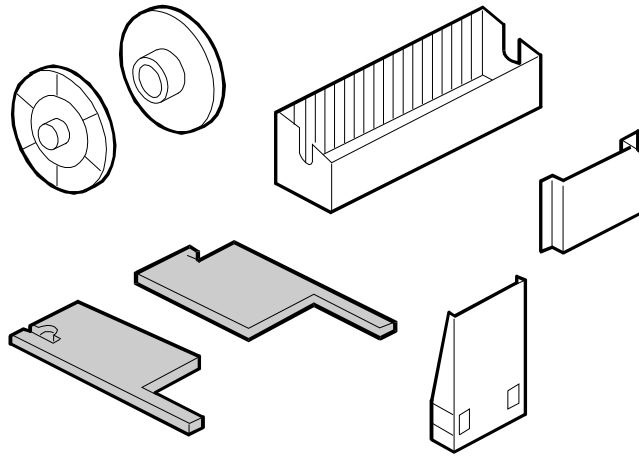
LOCATION OF UNIT

37.ELECTRICAL SECTION 2 (C228)



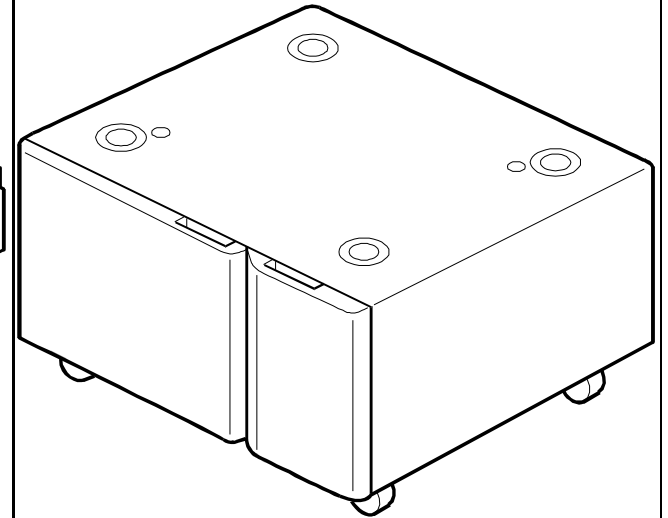
See Page 83

38.ACCESSORIES (C228)



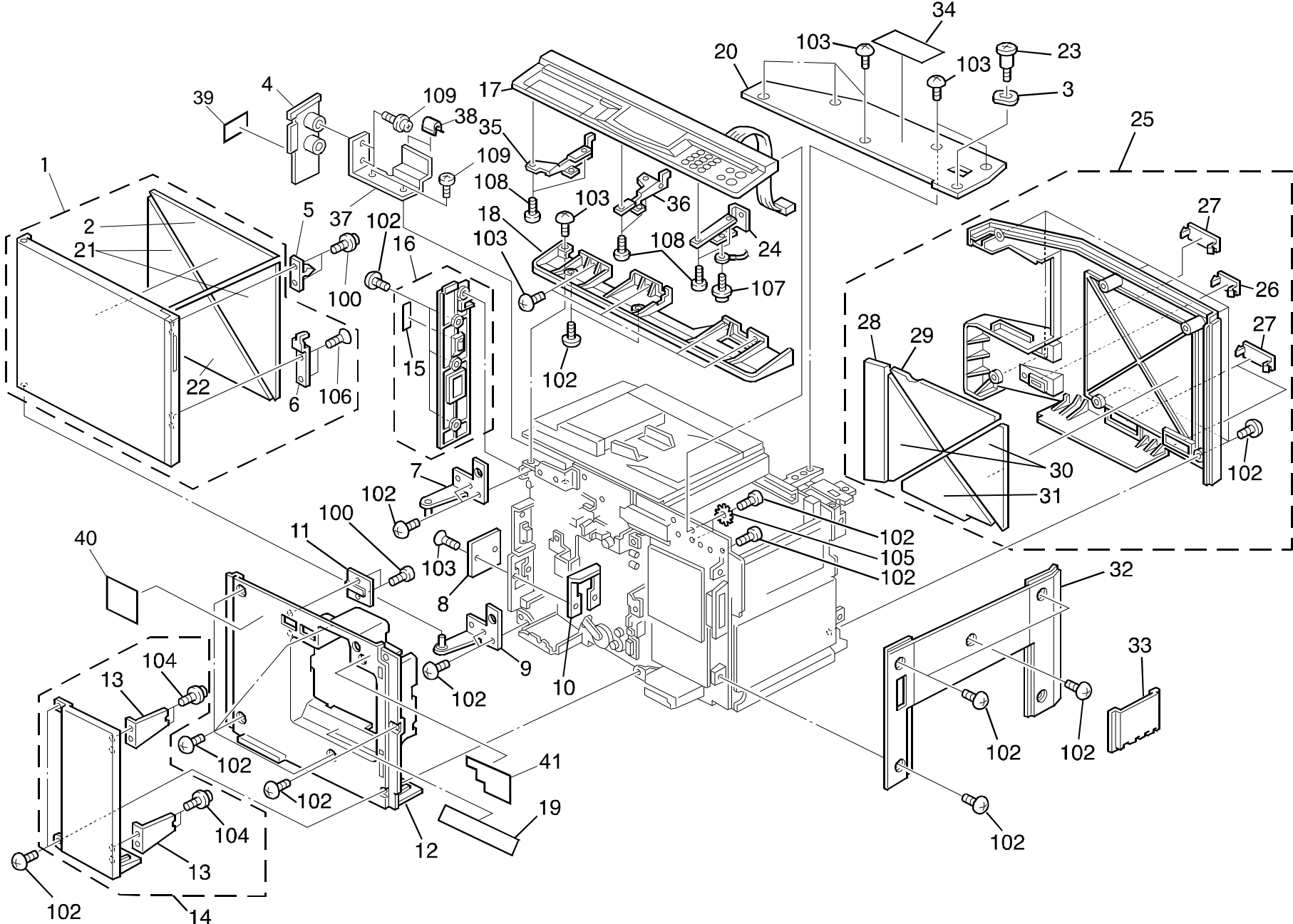
See Page 85

39.TABLE SECTION (C228)



See Page 87

1.EXTERIOR (C228)

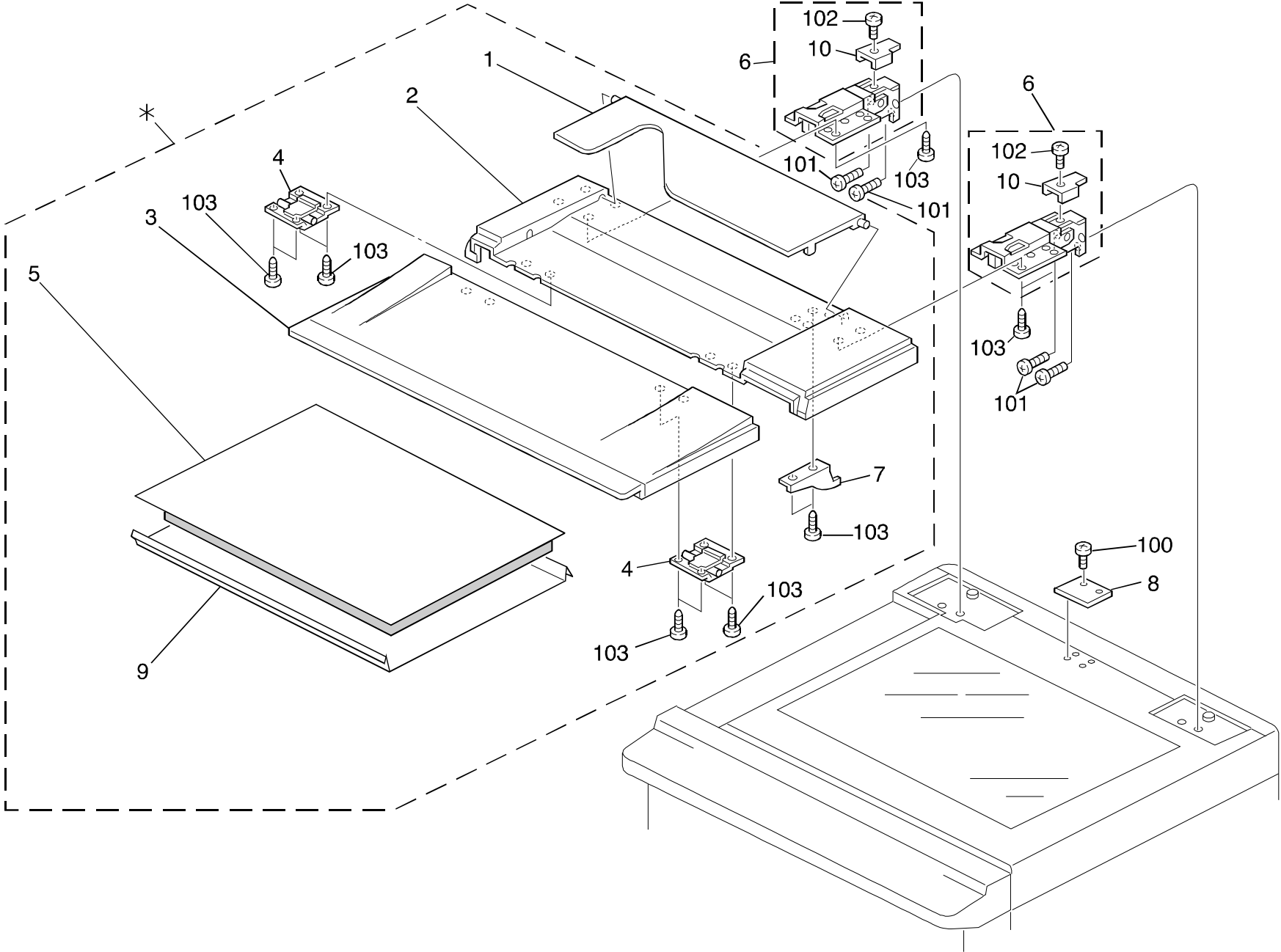


1.EXTERIOR (C228)

Index No.	Part No.	Description	Q'ty Per Assembly
1	C218 2424	Front Door Ass'y (RIC)	1
1	C223 2861	Front Door Ass'y - NRG	1
2	C209 2558	Upper Pad - Front Door	1
3	C217 5102	Spring Washer	1
4	C218 2750	Front Left Cover	1
5	C209 2469	Door Catch	1
6	C209 2428	Magnet Catch Plate	1
7	C209 2432	Upper Hinge Bracket	1
8	C217 2455	Key Counter Cover	1
9	C209 2435	Lower Hinge Bracket	1
10	A030 1339	Plate Nut - Key Counter	1
11	C209 2470	Left Cover Cap	1
12	C218 2832	Left Front Cover (RIC-EU)	1
12	C218 2803	Left Front Cover - LT (RIC)	1
12	C222 2864	Left Front Cover (NRG-LT)	1
12	C222 2874	Left Front Cover (NRG-EU)	1
13	C209 2411	Right Cover Support Bracket	2
14	C228 2409	Front Right Cover (RIC)	1
14	C222 2860	Front Right Cover (NRG)	1
15	C217 2514	Decal - Main Switch	1
16	C218 2809	Main Switch Cover	1
17	C228 2831	Operation Panel Ass'y (A4)	1
17	C228 2801	Operation Panel Ass'y (LT)	1
18	C218 2405	Lower Cover- Operation Panel	1
19	C218 2817	Decal - Replacement	1
20	C228 2811	Rear Upper Cover	1
21	C209 2560	Side Pad - Front Door	2
22	C209 2559	Lower Pad - Front Door	1
23	C218 2525	Stepped Screw - M4	1
24	C222 2122	Right Bracket - Operation Panel	1
25	C223 2812	Rear Cover Ass'y	1
26	C217 2453	Rear Cover Cap- Small	1
27	C217 2454	Rear Cover Cap- Large	2
28	C221 2575	Large Pad - Rear Cover	1
29	C209 2572	Upper Pad - Rear Cover	1

Index No.	Part No.	Description	Q'ty Per Assembly
30	C209 2574	Side Pad - Rear Cover	2
31	C221 2573	Lower Pad - Rear Cover	1
32	C218 2450	Right Cover	1
33	C219 2705	Original Holder	1
34	C228 2552	Caution Decal - Master Set	1
35	C222 2120	Left Bracket - Operation Panel	1
36	C222 2121	Middle Bracket - Operation Panel	1
37	C218 2026	Grounding Bracket	1
38	C218 2034	Clamp	2
39	C218 2825	Decal - Master Eject Open	1
40	C218 2816	Decal - Drum Replacement - LT	1
41	C210 2813	Decal - Replacing The Drum Unit	1
100	0965 3006Z	Tapping Screw With Flat Washer - M3x6	
102	0344 0080D	Philips Truss Head Screw - M4x8	
103	0333 0080D	Philips Counter Sunk Screw - M3x8	
104	0965 4008W	Tapping Screw With Flat Washer - M4x8	
105	0705 0040B	Toothed Washer	
106	0802 5149	Tapping Screw - M4x9	
107	0951 4006Z	Philips Screw With Flat Washer - M4	
108	0802 5097	Tapping Screw - M3x10	

2.PLATEN COVER (C228)

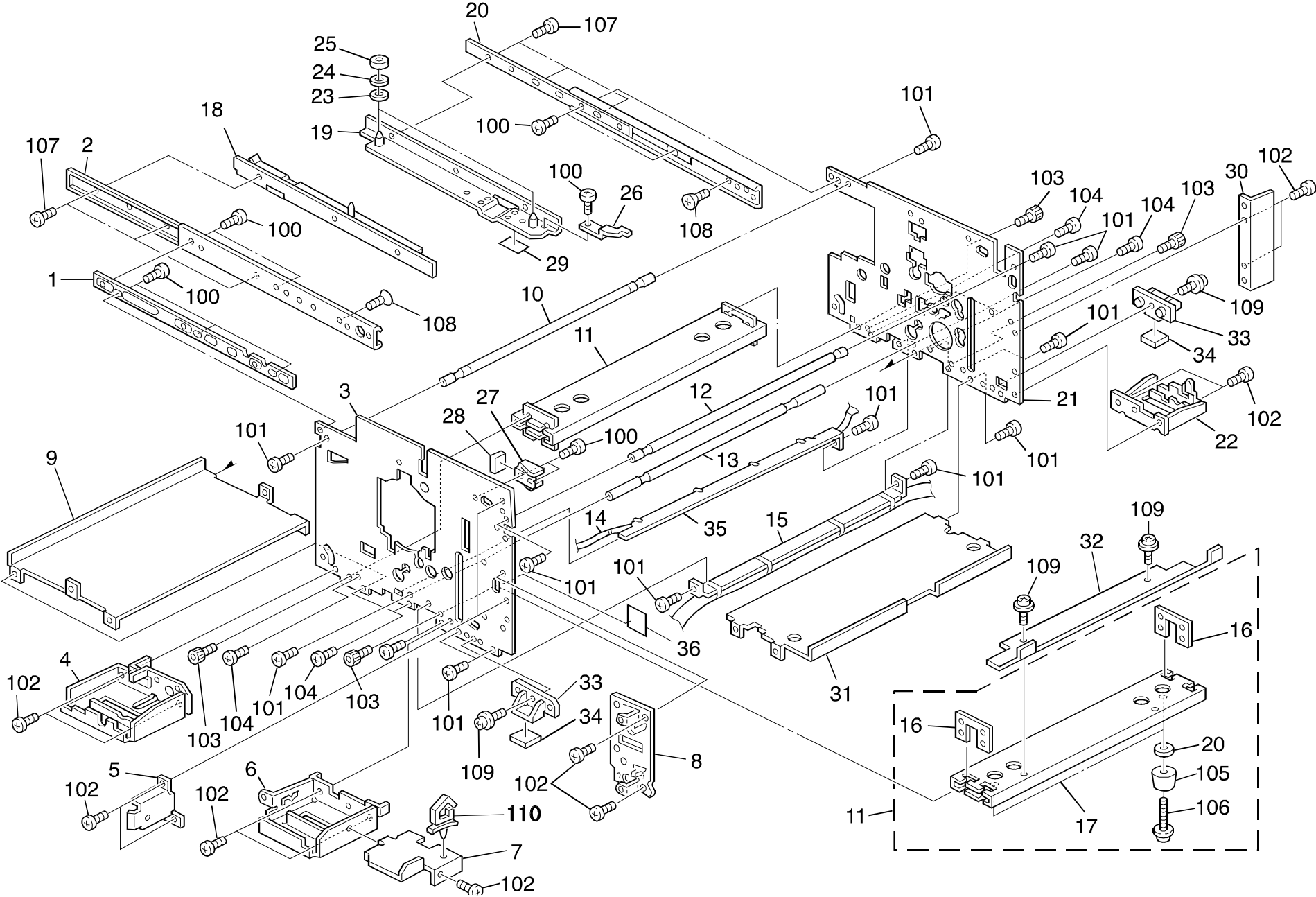


2.PLATEN COVER (C228)

Index No.	Part No.	Description	Q'ty Per Assembly
*	C218 2807	Platen Cover Ass'y	1
1	C219 2705	Original Holder	1
2	C219 2704	Rear Platen Cover	1
3	C219 2702	Front Platen Cover	1
4	5448 2824	Flex Hinge - Platen Cover	2
5	AA16 2053	Platen Cover Pad	1
6	C219 2710	Platen Cover Hinge	2
7	C219 2706	Platen Cover Sensor Actuator	1
8	C219 3473	Interface Cover	1
9	C219 2708	Platen Cover Sheet	1
10	C219 2711	Hinge Stopper	2

Index No.	Part No.	Description	Q'ty Per Assembly
100	0801 1004	Screw - M4X4	
101	0314 0060W	Philips Pan Head Screw - M4x6	
102	0313 0050W	Philips Pan Head Screw - M3x5	
103	0452 4012Z	Tapping Bind Screw - M4x12	

3.FRAME SECTION 1 (C228)

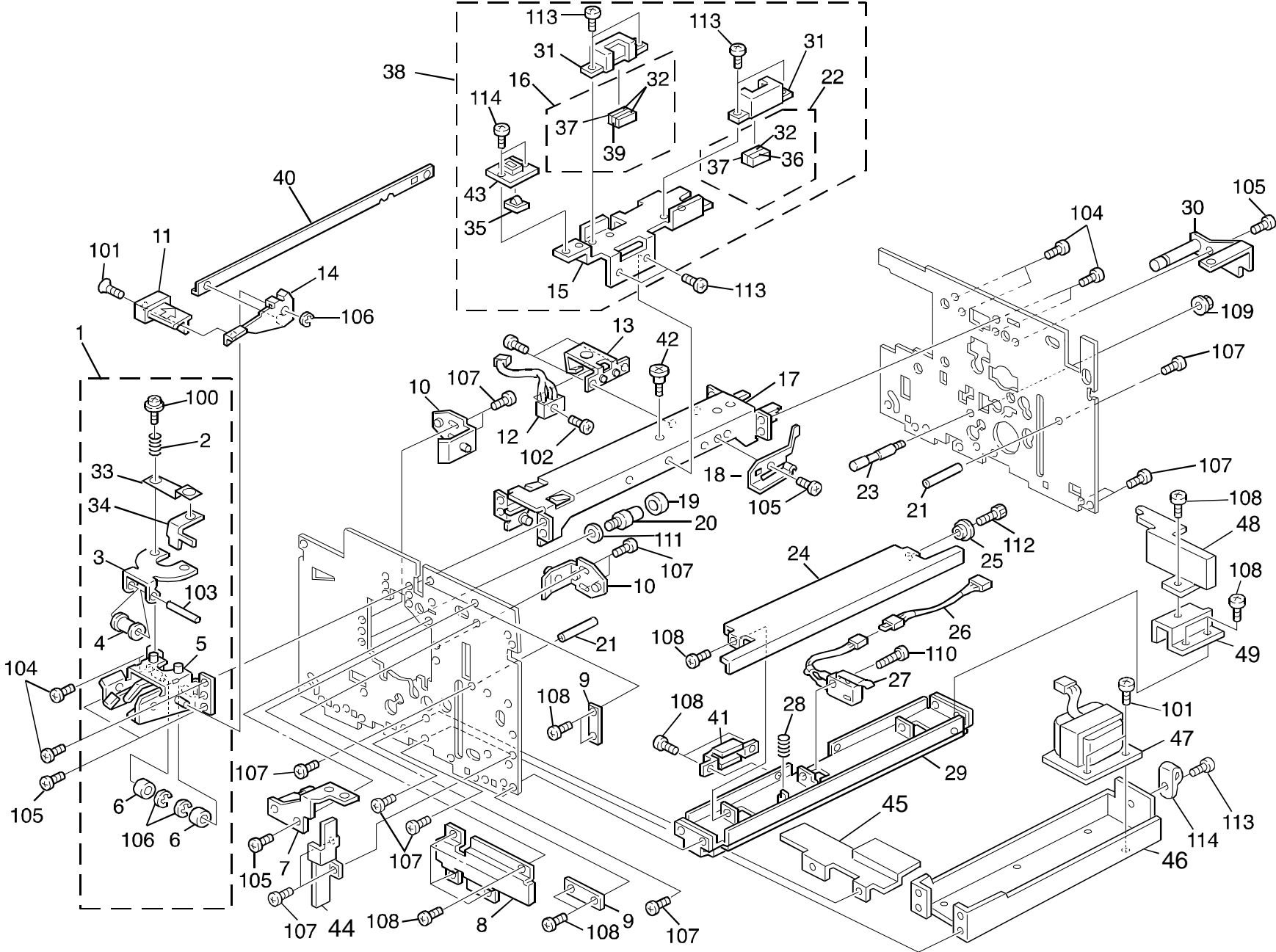


3.FRAME SECTION 1 (C228)

Index No.	Part No.	Description	Q'ty Per Assembly
1	C218 3124	Spacer	1
2	C218 3123	Slide Rail	2
3	C222 2001	Left Side Plate	1
4	C219 2106	Left Grip - Paper Delivery	1
5	C209 2413	Right Cover Bracket	1
6	C209 2061	Left Grip - Paper Feed	1
7	C222 2062	Left Grip Cover	1
8	C218 2120	Board Bracket	1
9	C222 2098	Bottom Cover	1
10	C203 2091	Front Shaft	1
11	C222 2071	Bottom Stay	2
12	C209 2050	Front Stay	1
13	C219 2111	Shaft	1
14	C223 8123	AC Drive Harness - 120V	1
14	C223 8223	AC Drive Harness - 230V	1
15	C228 8208	DC Drive Harness (230V)	1
15	C228 8113	DC Drive Harness (115V)	1
16	C203 2096	Bottom Stay Nut	2
17	C222 2072	Bottom Stay	1
18	C218 3131	Slide Rail Left Bracket	1
19	C218 3127	Slide Rtail Right Bracket	1
20	C218 3123	Slide Rail	2
21	C222 2002	Right Side Plate	1
22	C219 2150	Rear Right Grip	1
23	C218 3135	Spacer Cushion	1
24	C218 3134	Scanner Base Cushion 2	2
25	C218 3133	Scanner Base Cushion 1	2
26	C218 3125	Scanner Open Actuator	2
27	C222 3136	Scanner Rail Stopper	1
28	C218 3138	Stopper Seal	1
29	C218 3130	Slide Rail Seal	1
30	C219 2152	Rear Cover Bracket	1
31	C223 2085	Paper Table Lower Cover	1
32	C222 2095	Bottom Cover - Delivery Table	1
33	C222 2089	Side Plate Bracket	2

Index No.	Part No.	Description	Q'ty Per Assembly
34	C222 2092	Seal	2
35	C219 2112	Harness Satay	1
36	C207 2005	Seal - 30	1
100	0314 0060Z	Philips Pan Head Screw - M4x6	
101	0314 0080Z	Philips Screw - 4x8	
102	0434 0080Z	Pan Head Self-tapping Screw - M4x8	
103	0595 0120E	Socket Screw - M5X12	
104	0315 0120Z	Philips Screw - 5x12	
105	0805 6009	Rubber Foot	
106	0951 5035Z	Philips Screw W/T Flat Washer - M3x35	
107	0801 1004	Screw - M4X4	
108	0324 0060Z	Philips Sunken Head Screw - M4x6	
109	0951 3006Z	Philips Screw With Flat Washer - M3x6	
110	1105 0209	Clamp	

4.FRAME SECTION 2 (C228)

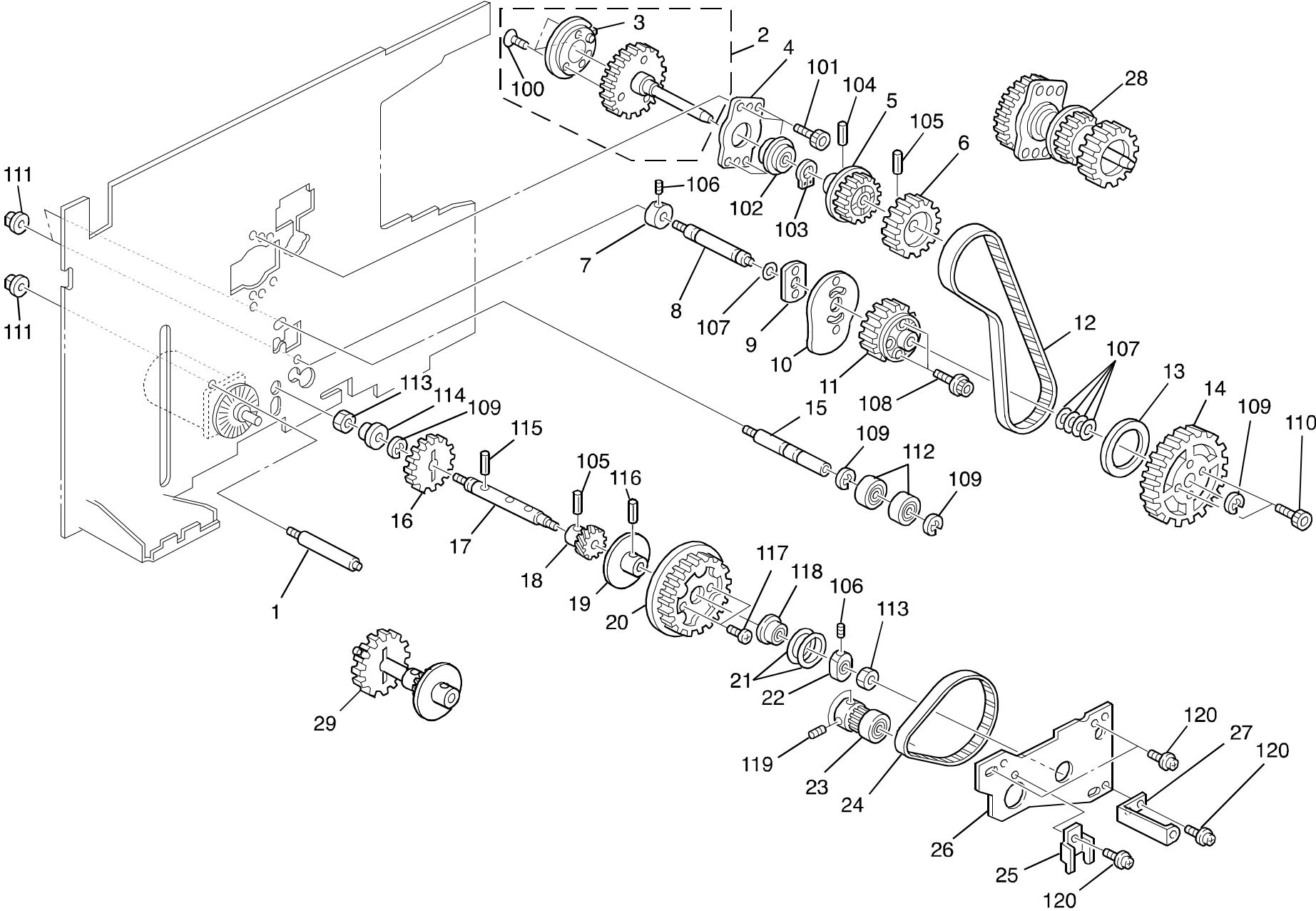


4.FRAME SECTION 2 (C228)

Index No.	Part No.	Description	Q'ty Per Assembly
1	C219 4505	Drum Stopper Ass'y	1
2	C201 4533	Drum Stopper Spring	1
3	C201 4531	Drum Stopper Pawl	1
4	C201 4532	Drum Stopper Roller	1
5	C219 4506	Stopper Base	1
6	C201 4606	Stopper Releasing Plate	2
7	C223 2052	Left Fixing Bracket	1
8	C218 2024	Flat Cable Cover	1
9	C218 3039	Flat Cable Clamp	3
10	C224 4520	Drum Lock Pin	2
11	C215 4514	Drum Lock Knob	1
12	C209 8117	Drum Master Detection Sensor	1
13	C209 4519	Drum Sensor Bracket	1
14	C215 4511	Drum Lock Lever	1
15	C223 2036	Scanner Stopper Bracket	1
16	C223 2037	Cushion 1	1
17	C218 4502	Drum Rail Stay	1
18	C218 4528	Plate Spring - Drum Rail	1
19	5501 4719	Rubber Ring - Stopper	1
20	C200 3716	Cushion Shaft	1
21	C209 4190	Stud	2
22	C223 2038	Cushion 2	1
23	C209 2110	Drive Support Shaft	1
24	C219 2428	Switch Plate - Paper Feed Table	1
25	5403 2048	Bushing - 4mm	1
26	C223 8295	Safety Switch Relay Harness	1
27	C223 8294	Safety Switch	1
28	AA06 3016	Pressure Spring	1
29	C222 2429	Support Cover - Paper Feed Cover	1
30	C209 2056	Right Fixing Plate	1
31	C223 2039	Stopper Bracket	2
32	C223 2040	Stopper Seal 1	2
33	C215 4533	Spring Plate	1
34	C215 4532	Locking Arm	1
35	C203 4512	Grounding Spring Plate	1

Index No.	Part No.	Description	Q'ty Per Assembly
36	C223 2041	Stopper Seal 2	1
37	C223 2043	Stopper Seal	2
38	C223 2029	Stopper Seal	1
39	C223 2042	Stopper Seal 3	1
40	C215 4515	Drum Lock Link	1
41	C210 2091	Harness Cover	1
42	C217 4426	Shoulder Screw	1
43	C203 4511	Spring Plate Supporter	1
44	C210 2186	Right Cover Bracket	1
45	C218 2099	Transformer Cover	1
46	C216 2018	Transformer Bracket	1
47	C218 8181	Transformer - 115V	1
47	C216 8155	Transformer - 235V/105V	1
48	C219 2441	Upper Harness Cover	1
49	C219 2440	Lower Harness Cover	1
100	0951 3006Z	Philips Screw With Flat Washer - M3x6	
101	0323 0060Z	Philips Sunk Screw - M3x6	
102	0252 0080Z	Philips Pan Head Screw - M2x8	
103	0622 0250E	Spring Pin M2x250	
104	0434 0100Z	Pan Head Self-tapping Screw - M4x10	
105	0434 0080Z	Pan Head Self-tapping Screw - M4x8	
106	0720 0050Z	Retaining Ring - M5	
107	0314 0080Z	Philips Screw - 4x8	
108	0314 0060Z	Philips Pan Head Screw - M4x6	
109	0713 0050B	Hexagon Nut - M5	
110	0313 0120Z	Philips Screw - 3x12	
111	0807 3083	Washer	
112	0594 0080E	Bolt - M4x8	
113	0801 1004	Screw - M4X4	
114	0313 0050Z	Philips Screw - 3x5	

5.DRIVE SECTION 1 (C228)

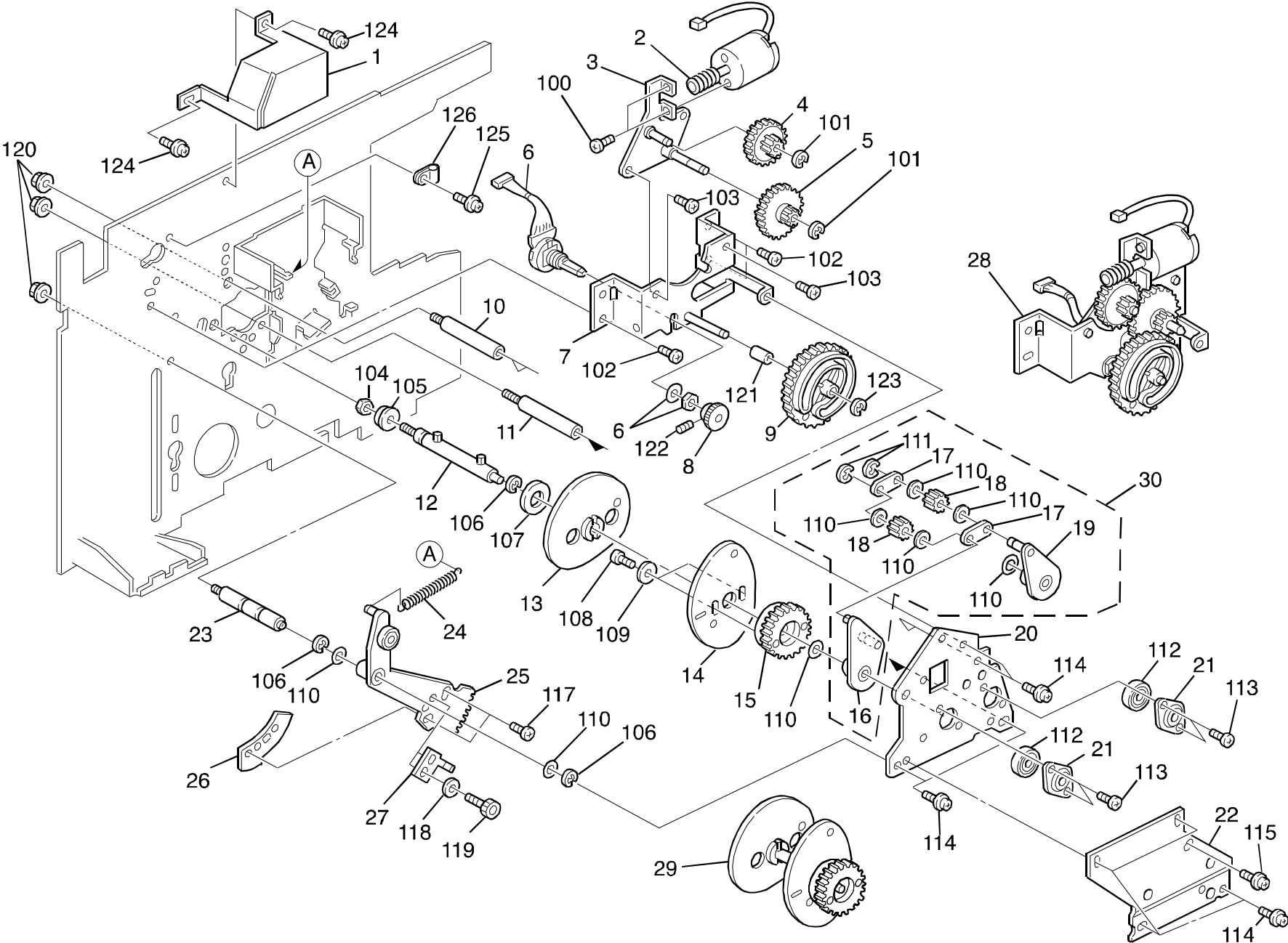


5.DRIVE SECTION 1 (C228)

Index No.	Part No.	Description	Q'ty Per Assembly
1	C200 2232	Drive Shaft	1
2	C209 2218	Drum Drive Gear/pulley	1
3	C209 2220	Support Gear - 30z	1
4	C200 2248	Fixing Plate	1
5	C203 2317	Pulley - 26Z	1
6	C201 2217	Gear - 50T	1
7	C200 2221	Collar - Pressure Cam Shaft	1
8	C200 2225	Pressure Cam Shaft	1
9	C200 2224	Plate Nut - Print Pressure Cam	1
10	C228 5561	Pressure Roller Cam	1
11	C203 2312	Pulley	1
12	C203 2316	Timing Belt	1
13	C203 2327	Pulley Flange	1
14	C203 2326	Gear - 90Z	1
15	C219 2315	Tension Shaft	1
16	C209 2214	Gear - 40Z	1
17	C209 2216	Driver Shaft	1
18	C203 2215	Gear - 18T	1
19	C203 2311	Gear Flange	1
20	C207 2209	Pulley - 60Z	1
21	C200 2267	Spacer	2
22	C219 2217	Collar	1
23	C209 2207	Pulley - 12Z	1
24	C207 2210	Timing Belt - 100S4.5M297	1
25	C207 2211	Bearing Stopper	1
26	C223 2309	Support Plate	1
27	C209 2308	Support Bracket - Rear Cover	1
28	C209 2330	Drum Drive Gear/pulley Ass'y	1
29	C221 2210	Driven Gear Ass'y	1

Index No.	Part No.	Description	Q'ty Per Assembly
100	0323 0060Z	Philips Sunk Screw - M3x6	
101	0594 0080E	Bolt - M4x8	
102	0805 3134	Ball Bearing - 10x26x8mm	
103	0725 0100Z	Retaining Ring - M10	
104	0804 4048	Spring Pin - 4x20	
105	0804 4046	Spring Pin - 4x16	
106	0574 0040E	Hexagon Headless Set Screw - M4x4	
107	0807 7013	Spacer - 10.2x14x0.2 mm	
108	0804 6092	Hexagonal Set Screw	
109	0720 0080Z	Retaining Ring - M8	
110	0595 0120E	Socket Screw - M5X12	
111	0713 0050B	Hexagon Nut - M5	
112	0740 3010	Ball Bearing - 10x26x8mm	
113	0712 0060Z	Hexagon Nut - M6	
114	0741 3807S	Ball Bearing - 7x14x5	
115	0623 0200E	Spring Pin - 3x20mm	
116	0623 0140E	Spring Pin - 3x14mm	
117	0315 0060Z	Philips Screw - 5x6	
118	0741 3908S	Ball Bearing - 8x19x6	
119	0574 0050E	Hexagon Headless Set Screw - M4x5	
120	0960 4008Z	Flange Head Screw - 4x8	

6.DRIVE SECTION 2 (C228)

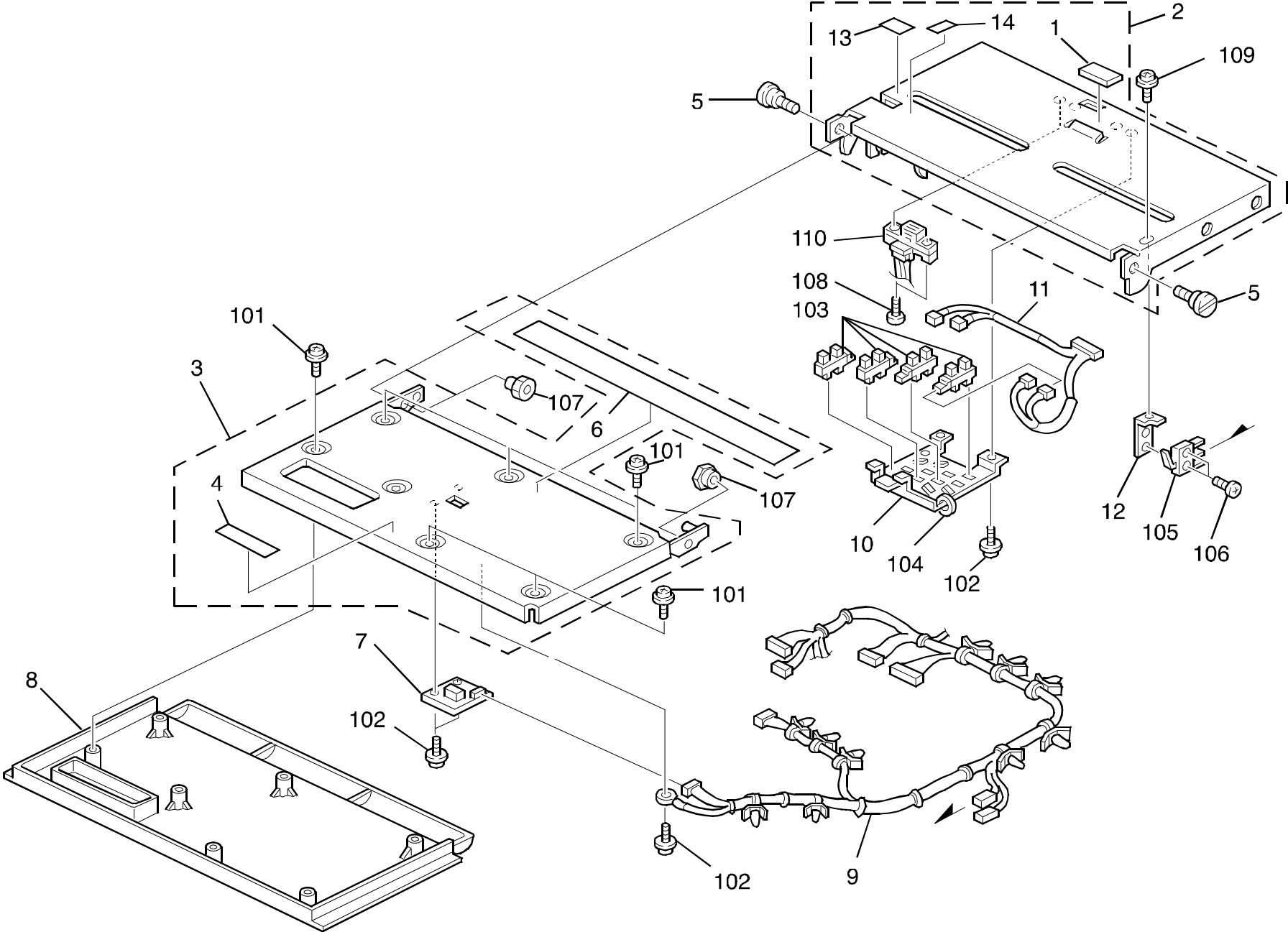


6.DRIVE SECTION 2 (C228)

Index No.	Part No.	Description	Q'ty Per Assembly
1	C218 2047	Lift Moter Cover	1
2	C219 8250	Lift Motor - DC 1.69W 0.2A	1
3	C209 2325	Motor Bracket	1
4	5205 2681	Coupled Gear - 17t/50t	1
5	5205 2680	Coupled Gear - 16t/53t	1
6	C209 8280	Image Position Sensor	1
7	C209 2321	Bracket - Image Shifting	1
8	C201 2221	Gear - 40T	1
9	C201 2222	Coupled Gear - 20t & 60t	1
10	C201 2211	Stud	1
11	C201 2211	Stud	1
12	C203 5170	Feed Cam Shaft	1
13	C228 5118	Cam:paper Feed:ass'y	1
14	C228 5122	Cam:feed:double Letter	1
15	C201 2229	Gear - 50T	1
16	C223 2302	Image Shifting Arm - Large	1
17	C200 2311	Image Shifting Link	2
18	C223 2226	Gear - 22Z	2
19	C223 2311	Image Shifting Arm - Small	1
20	C209 2304	Support Side Plate	1
21	C200 2266	Bearing Holder	2
22	C203 2318	Reinforcement Plate	1
23	C228 2072	Feed Gear Stopper Shaft	1
24	C200 5222	Sector Spring	1
25	C228 5184	Sector Gear	1
26	C228 5223	Lift Cam	1
27	C219 5106	Sector Gear Stopper	1
28	C219 2319	Cam Shaft	1
29	C228 5101	Paper Feed Cam Ass'y	1
30	C223 2225	Image Shifting Arm Ass'y	1

Index No.	Part No.	Description	Q'ty Per Assembly
100	0313 0040B	Philips Pan Head Screw - M3x4	
101	0720 0040Z	Retaining Ring - M4	
102	0434 0080Z	Pan Head Self-tapping Screw - M4x8	
103	0314 0080Z	Philips Screw - 4x8	
104	0712 0060Z	Hexagon Nut - M6	
105	0741 3807S	Ball Bearing - 7x14x5	
106	0720 0080Z	Retaining Ring - M8	
107	0807 7055	Holder - Main Shaft	
108	0585 0100Z	Bolt - M5x10	
109	0701 0050Z	Flat Washer - M5	
110	0807 7013	Spacer - 10.2x14x0.2 mm	
111	0720 0080Z	Retaining Ring - M8	
112	0805 3104	Ball Bearing - 8x22x7mm	
113	0801 1135	Philips Pan Head Screw - M3x3	
114	0960 4008Z	Flange Head Screw - 4 X 8	
115	0960 5008Z	Philips Flange Screw - M5x8	
117	0315 0080Z	Philips Screw - 5x8	
118	0701 0040Z	Flat Washer - M4	
119	0594 0060E	Socket Screw - 4X6	
120	0713 0050B	Hexagon Nut - M5	
121	0707 6120B	Bushing - 6x12mm	
122	0573 0050E	Hexagon Headless Set Screw - M3x3	
123	0720 0050Z	Retaining Ring - M5	
124	0314 0060Z	Philips Pan Head Screw - M4x6	
125	0951 4006Z	Philips Screw With Flat Washer - M4	
126	1105 0005	Nylon Clamp - 3n	

7.PAPER TABLE 1 (C228)

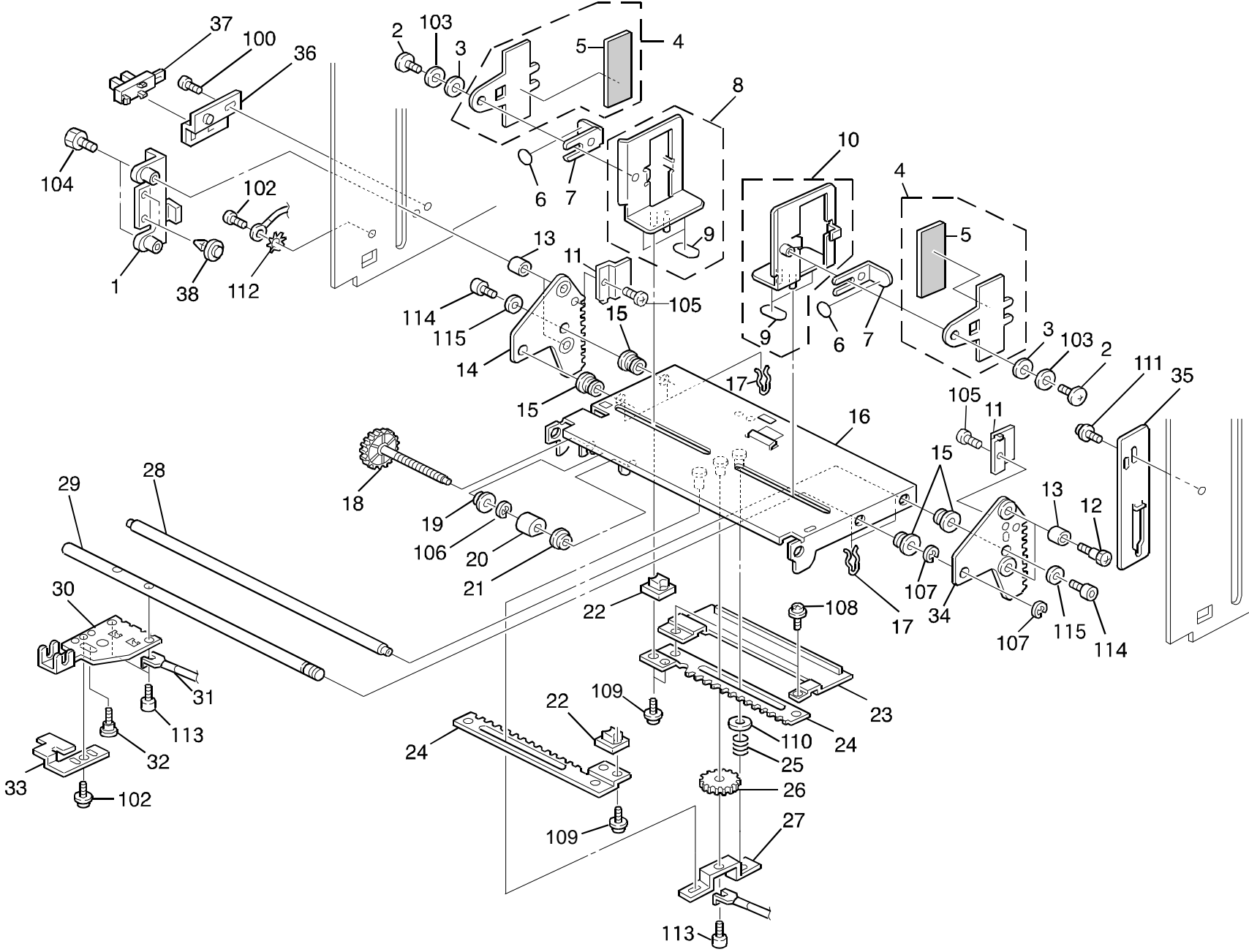


7.PAPER TABLE 1 (C228)

Index No.	Part No.	Description	Q'ty Per Assembly
1	5507 6828	Rubber Plate - Feed Table	1
2	C209 4640	Paper Table Ass'y	1
3	C219 5067	Paper Feed Table Ass'y - A4	1
3	C219 5066	Paper Feed Table Ass'y - LT	1
4	C200 5025	Paper Feed Plate Shield	1
5	C219 5073	Stepped Screw	2
6	C210 2806	Decal - Paper Size (A4)	1
6	C210 2805	Decal - Paper Size (LT)	1
7	C219 8021	Paper Detection Board	1
8	C218 2423	Paper Feed Table Cover	1
9	C219 8113	Harness - Paper Detection Board	1
10	C209 5055	Bracket - Paper Size	1
11	C209 8197	Paper Size Sensor Harness	1
12	C209 5047	Switch Bracket - Paper Table	1
13	C223 2453	Decal - Paper Level	1
14	C223 2452	Decal - Paper Table Knob	1

Index No.	Part No.	Description	Q'ty Per Assembly
101	0965 3010W	Tapping Screw With Flat Washer - M3x1	
102	0951 3005Z	Philips Pan Head Screw - M3x5	
103	1403 0690	Sensor - Tlp1215	
104	1105 0042	Wire Band	
105	1204 2239	Micro Switch	
106	0800 0084	Philips Pan Head Screw - M2.3x12	
107	0713 0040B	Hexagon Nut - M4	
108	0313 0100Z	Philips Pan Head Screw - M3x10	
109	0951 3004Z	Philips Screw With Flat Washer - M3x4	
110	1403 0456	Photosensor - EE-SB5-C3	

8.PAPER TABLE 2 (C228)

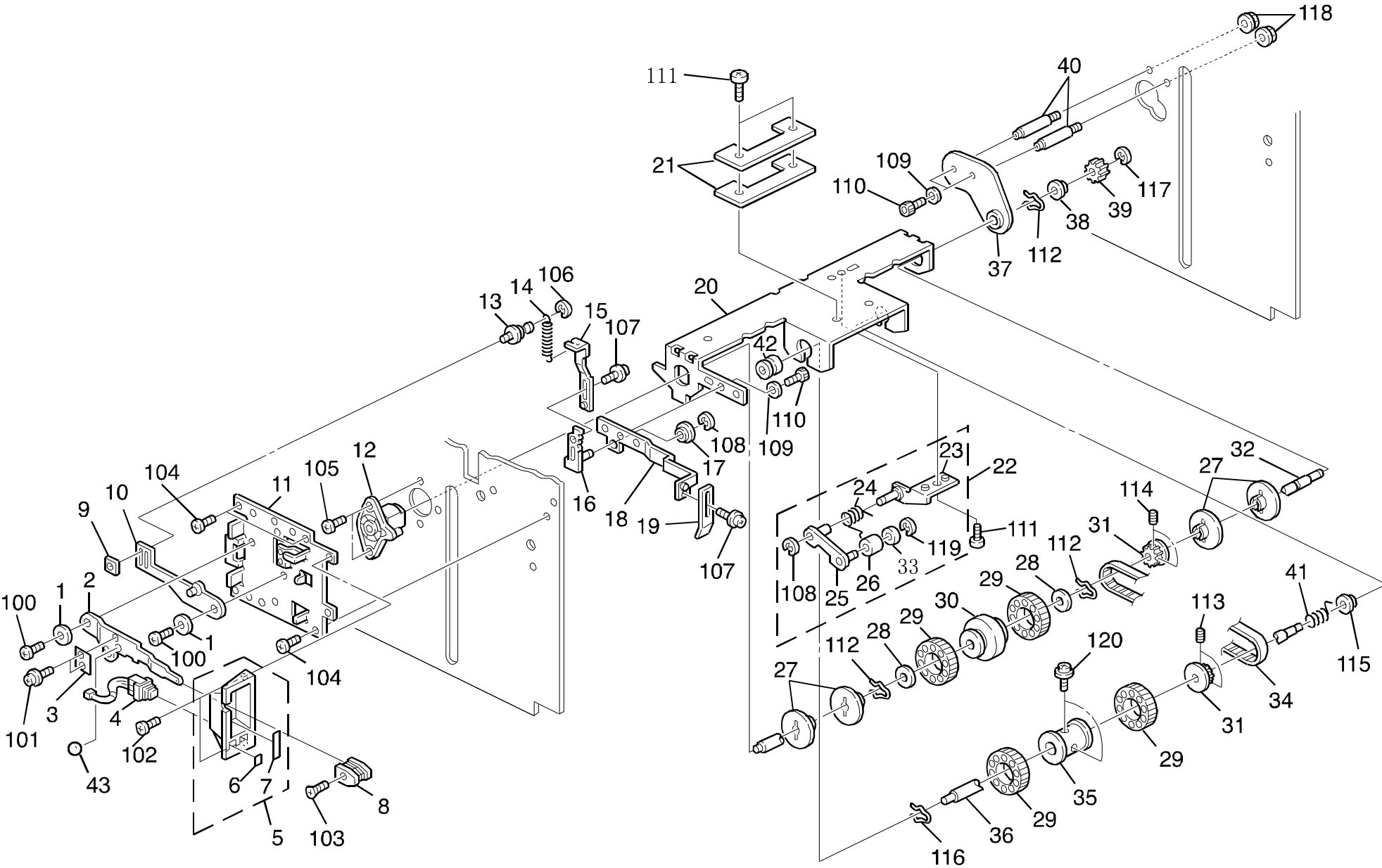


8.PAPER TABLE 2 (C228)

Index No.	Part No.	Description	Q'ty Per Assembly
1	C223 5073	Paper Table Fixing Bracket	1
2	5506 1536	Screw - M4X6	2
3	5070 0923	Spring Washer - Rotating Table	2
4	C209 5090	Rubber Plate - Paper Feed Guide	2
5	C200 5287	Rubber Plate - Paper Feed	2
6	C201 5015	Seal - M10	2
7	C209 5092	Rubber Plate Lever	2
8	C223 5082	Left Side Plate	1
9	5506 6314	Mylar - Master Feed Table	2
10	C223 5085	Right Side Plate	1
11	C203 5131	Gear Cover	2
12	C203 5142	Rack Shaft	2
13	5606 2310	Roller	4
14	C223 5128	Left Rack - Paper Feed	1
15	C203 5121	Bushing - 8x12x9mm	4
16	C219 5076	Paper Table	1
17	5600 1107	Snap Retainer - 12	2
18	C218 5054	Table Position Knob	1
19	C203 5113	Bushing - 6x9x3mm	1
20	C203 5116	Washer - 6x13x12mm	1
21	C203 5114	Bushing - 3x6x3mm	1
22	C223 5336	Paper Feed Slider	2
23	C209 5058	Paper Size Plate	1
24	C223 5050	Paper Guide Rack	2
25	5505 7197	Spring - Hinge - Inking	1
26	5309 1023	Pinion Paper Feed Table	1
27	C219 5079	Supporter	1
28	C200 5042	Rear Shaft - Paper Feed	1
29	C223 5123	Front Shaft - Paper Feed	1
30	C223 5055	Paper Table Arm	1
31	C209 8197	Paper Size Sensor Harness	1
32	C223 5124	Stepped Screw - M8.2	1
33	C222 5121	Position Indicator	1
34	C224 5126	Right Rack - Paper Feed	1
35	C209 5235	Paper Table Holder	1

Index No.	Part No.	Description	Q'ty Per Assembly
36	C219 5081	Sensor Bracket	1
37	AW02 0021	Photointerruptor - 175487-3	1
38	C222 3175	Scanner Slider	2
100	0314 0120Z	Philips Screw - 4x12	
102	0314 0080Z	Philips Screw - 4x8	
103	0701 0080Z	Flat Washer - M8	
104	0585 0161B	Hexagon Bolt - M5x16	
105	0951 4008Z	Philips Screw With Flat Washer M4x8	
106	0720 0040Z	Retaining Ring - M4	
107	0720 0060Z	Retaining Ring - M6	
108	0951 3006Z	Philips Screw With Flat Washer - M3x6	
109	0951 3006Z	Philips Screw With Flat Washer - M3x6	
110	0700 0060Z	Flat Washer - M6	
111	0951 3008Z	Philips Screw With Flat Washer - M3x8	
112	0705 0040B	Toothed Washer	
113	0594 0080E	Bolt - M4x8	
114	0594 0060E	Socket Screw - 4X6	
115	0701 0040Z	Flat Washer - M4	

9.PAPER FEED & UPPER SEPARATION ROLLERS (C228)

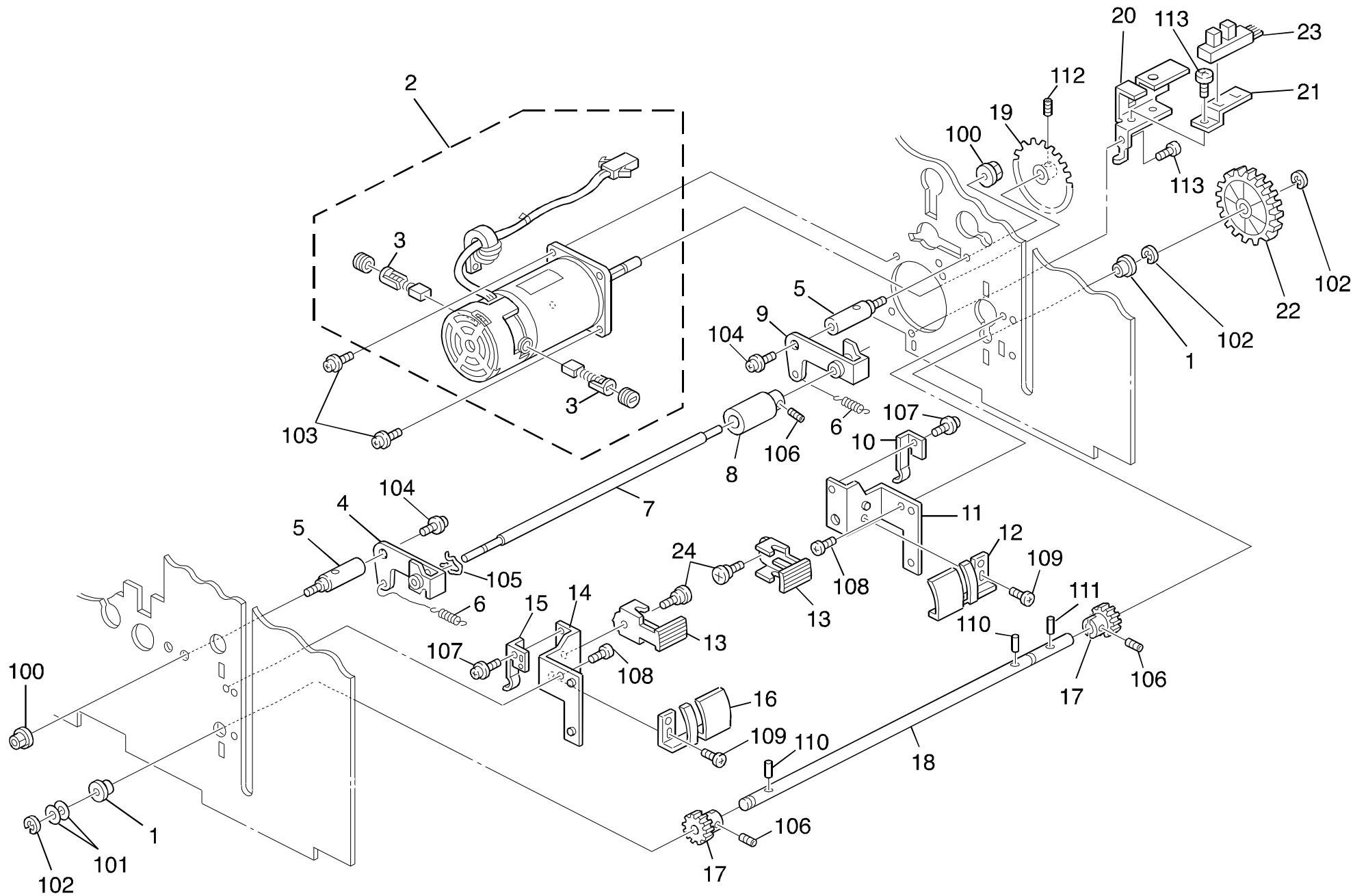


9.PAPER FEED & UPPER SEPARATION ROLLERS (C228)

Index No.	Part No.	Description	Q'ty Per Assembly
1	C209 5220	Spacer - 4x20x6	2
2	C203 5007	Paper Feed Lever	1
3	5501 8180	Flat Spring - Feed Roller Pressure	1
4	C209 8288	Table Down Switch	1
5	C218 2833	Lower Cover - Paper Feed (A4)	1
5	C218 2804	Lever Cover - Paper Feed - LT	1
6	C218 2841	Decal - Paper Table Down (A4)	1
6	C218 2819	Decal - Paper Table Down (LT)	1
7	C218 2818	Decal - Paper Feed Pressure	1
8	C201 2425	Adjusting Lever	1
9	5506 4235	Plate Nut - Paper Pressure	1
10	C203 5013	Lever Supporter	1
11	C209 2027	Lever Bracket - Paper Feed	1
12	C203 5045	Bushing - 18x24x28mm	1
13	C209 5080	Stepped Screw	1
14	C203 5020	Spring - Feed Roller Pressure	1
15	C209 5081	Spring Link	1
16	C203 5027	Adjusting Plate	1
17	C203 5113	Bushing - 6x9x3mm	1
18	C209 5035	Arm - Feed Roller Holder	1
19	C203 5055	Actuator - Paper Feed Table	1
20	C209 5225	Feed Roller Holder	1
21	C201 5073	Arm Balancer - Feed Roller	2
22	C203 5205	Belt Tensioner Ass'y	1
23	C203 5208	Tension Bracket	1
24	C203 5215	Tension Spring	1
25	C203 5201	Tension Arm	1
26	C203 5200	Tension Roller	1
27	5606 2066	Paper Feed Guide Disc	4
28	5600 1086	Spacer - 10.2x20	2
29	5506 4169	Rubber Roller - Paper Feed	4
30	C207 5023	Separator Roller Ass'y	1
31	5507 6032	Timing Belt Pulley - 30T	2
32	C207 5020	Upper Roller Shaft	1
33	C203 5225	Spacer - Tension - Paper Feed	1

Index No.	Part No.	Description	Q'ty Per Assembly
34	5507 6035	Timing Belt - 162XL	1
35	C228 5033	Core:paper Feed Roller	1
36	C203 5043	Pick-up Roller Shaft	1
37	C219 5030	Bushing	1
38	5053 0419	Bushing - 10mm	1
39	C203 5220	Gear - 18T	1
40	C219 5029	Rear Bushing Shaft	1
41	5507 6038	Torque Limiter - Paper Feed Roller	1
42	5600 1081	Right Bushing - Paper Feed Roller	1
43	5501 8195	Steel Ball 3/16	1
100	0314 0100Z	Philips Screw - 4x10	
101	0951 3006Z	Philips Screw With Flat Washer - M3x6	
102	0801 1004	Screw - M4X4	
103	0323 0100Z	Philips Sunken Head Screw - M3x10	
104	0434 0080Z	Pan Head Self-tapping Screw - M4x8	
105	0314 0080Z	Philips Screw - 4x8	
106	0720 0040Z	Retaining Ring - M4	
107	0951 3005Z	Philips Pan Head Screw - M3x5	
108	0720 0040Z	Retaining Ring - M4	
109	0701 0040Z	Flat Washer - M4	
110	0594 0080E	Bolt - M4x8	
111	0314 0060Z	Philips Pan Head Screw - M4x6	
112	0804 4055	Pin	
113	0574 0040E	Hexagon Headless Set Screw - M4x4	
115	0805 3263	Bearing - 6x10x6mm	
116	5600 1107	Snap Retainer - 12	
117	0720 0050Z	Retaining Ring - M5	
118	0713 0040B	Hexagon Nut - M4	
119	0720 0060Z	Retaining Ring - M6	
120	0951 4010Z	Philips Screw With Flat Washer M4x10	

10.PAPER SEPARATION 1 (C228)



10.PAPER SEPARATION 1 (C228)

Index No.	Part No.	Description	Q'ty Per Assembly
1	C203 5135	Bushing - 10x14x5.9	2
2	C218 8200	Main Motor - DC90V 108W	1
3	C209 8202	Commutation Brush	2
4	C228 5062	Left Lever Bracket	1
5	C201 5090	Separation Roller Pressure Stud	2
6	C223 5031	Lower Spring - Separation	2
7	C222 5020	Separation Roller Shaft	1
8	C223 5015	Lower Reverse Roller	1
9	C228 5061	Right Arm - Separation	1
10	C209 5208	Spling Plate - Right Lever	1
11	C209 5206	Right Lever Bracket	1
12	C209 5211	Right Lever Cover	1
13	C209 5209	Separation Pressure Lever	2
14	C209 5205	Left Lever Bracket	1
15	C209 5207	Spring Plate - Left Lever	1
16	C209 5210	Left Lever Cover	1
17	C201 5051	Pinion - 24t	1
18	C223 5133	Paper Lift Shaft	1
19	C203 2309	Pulse Disk	1
20	C219 2205	Bracket - Drum Rotation Sensor	1
21	C219 2306	Drum Sensor Bracket	1
22	C223 5096	Lift Gear	1
23	AW02 0021	Photointerruptor - 175487-3	1
24	5403 2075	Stepped Screw	2

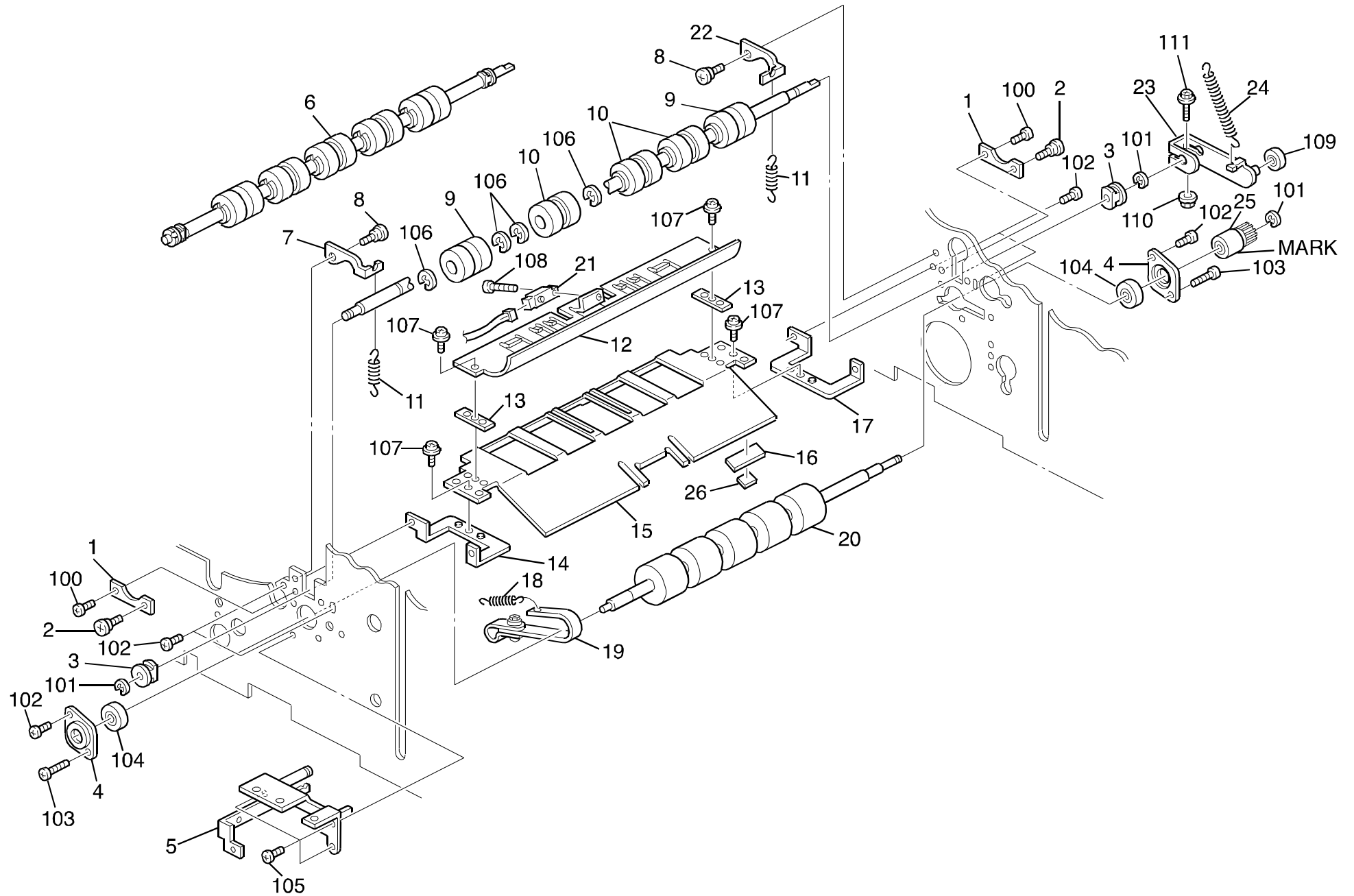
Index No.	Part No.	Description	Q'ty Per Assembly
100	0713 0040B	Hexagon Nut - M4	
101	0807 7013	Spacer - 10.2x14x0.2 mm	
102	0720 0080Z	Retaining Ring - M8	
103	0960 4008Z	Flange Head Screw - 4 X 8	
104	0951 4008Z	Philips Screw With Flat Washer M4x8	
105	0804 4061	Spring Pin - M6	
106	0574 0040E	Hexagon Headless Set Screw - M4x4	
107	0951 3005Z	Philips Pan Head Screw - M3x5	
108	0801 1004	Screw - M4X4	
109	0313 0050Z	Philips Screw - 3x5	
110	0624 0160E	Spring Pin - 4x16mm	
111	0623 0200E	Spring Pin - 3x20mm	
112	0574 0050E	Hexagon Headless Set Screw - M4x5	
113	0314 0080Z	Philips Screw - 4x8	

11.PAPER SEPARATION 2 (C228)

Index No.	Part No.	Description	Q'ty Per Assembly
1	C201 5075	Guide Plate Bracket	2
2	C207 5013	Pressure Spring - Paper Feed	1
3	C207 5009	Pressure Plate Holder	1
4	C207 5008	Pressure Plate	1
5	C207 5011	Adjusting Plate	1
6	C207 5010	Adjusting Screw	1
7	C207 5012	Pressure Spring	1
8	5507 6060	Guide Screw - Front Plate	1
9	C228 5018	Separation Plate	1
10	C228 5016	Front Side Plate	1
11	C210 2791	Decal - Paper Separation	2

Index No.	Part No.	Description	Q'ty Per Assembly
100	0952 4008W	Philips Screw - M4x8	
101	0434 0080Z	Pan Head Self-tapping Screw - M4x8	
102	0720 0040Z	Retaining Ring - M4	
103	0313 0050W	Philips Pan Head Screw - M3x5	

12.2ND FEED ROLLERS (C228)

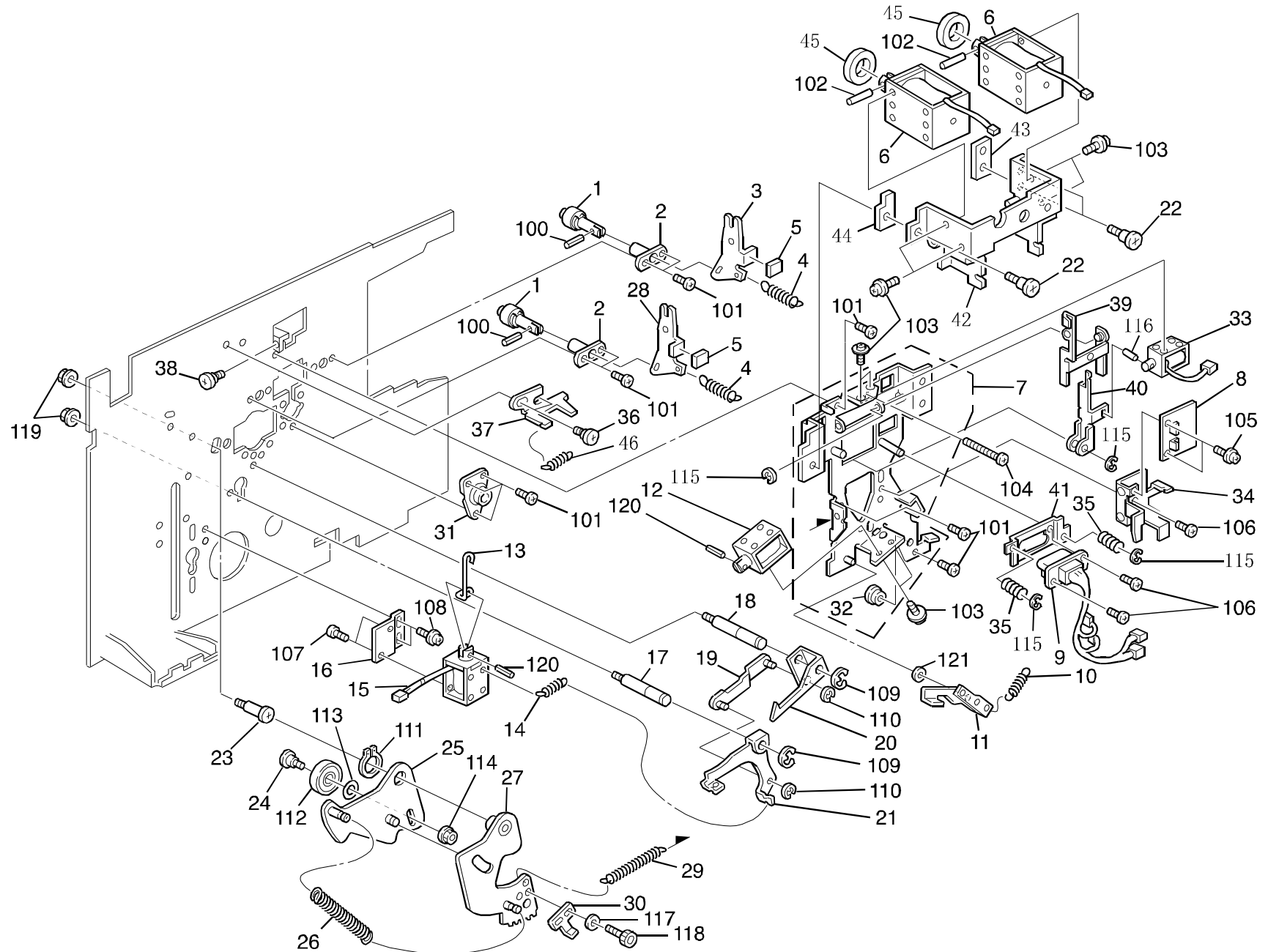


12.2ND FEED ROLLERS (C228)

Index No.	Part No.	Description	Q'ty Per Assembly
1	C200 5153	Bushing Supporter	2
2	C201 5125	Shoulder Screw - M4	2
3	C200 5150	Bushing - 7x18x9mm	2
4	C201 5134	Bearing Holder	2
5	C209 2034	Sensor Bracket	1
6	C207 5138	Upper Feed Roller Ass'y	1
7	C200 5154	Left Spring Arm	1
8	C201 5125	Shoulder Screw - M4	2
9	C200 5340	Upper Feed Roller	2
10	C207 5148	Upper Feed Roller	3
11	5505 6528	Spring - Press Roller	2
12	C228 5123	Upper Guide Plate	1
13	C207 5125	Guide Plate Spacer	2
14	C200 5137	Left Bracket - Guide Plate	1
15	C228 5215	Lower Guide Plate - Adhesion	1
16	C222 5216	Rubber Plate - Guide Plate	1
17	C200 5138	Right Bracket - Guide Plate	1
18	5501 8328	Spring - Feed Roller Brake	1
19	C203 5198	Feed Roller Brake Ass'y	1
20	C228 5203	Lower 2nd Feed Roller	1
21	AW01 0066	Photosensor - PS-R50D1-B	1
22	C200 5155	Right Spring Arm	1
23	C224 5142	Feed Roller Arm	1
24	C201 5145	Lift Arm Spring	1
25	C209 5200	Gear - 14Z	1
26	C223 5218	Guide Plate Sheet - Separation	1

Index No.	Part No.	Description	Q'ty Per Assembly
100	0801 1004	Screw - M4X4	
101	0720 0050Z	Retaining Ring - M5	
102	0314 0080Z	Philips Screw - 4x8	
103	0314 0200Z	Philips Screw - 4x20	
104	0740 3010	Ball Bearing - 10x26x8mm	
105	0434 0080Z	Pan Head Self-Tapping Screw - M4x8	
106	0805 0084	Retaining Ring	
107	0951 4006Z	Philips Screw With Flat Washer - M4	
108	0593 0100E	Bolt M3x10	
109	0740 3808	Ball Bearing - 8x16x5mm	
110	0713 0040B	Hexagon Nut - M4	
111	0804 6090	Hexagon Bolt - M4	

13.PAPER FEED DRIVE (C228)

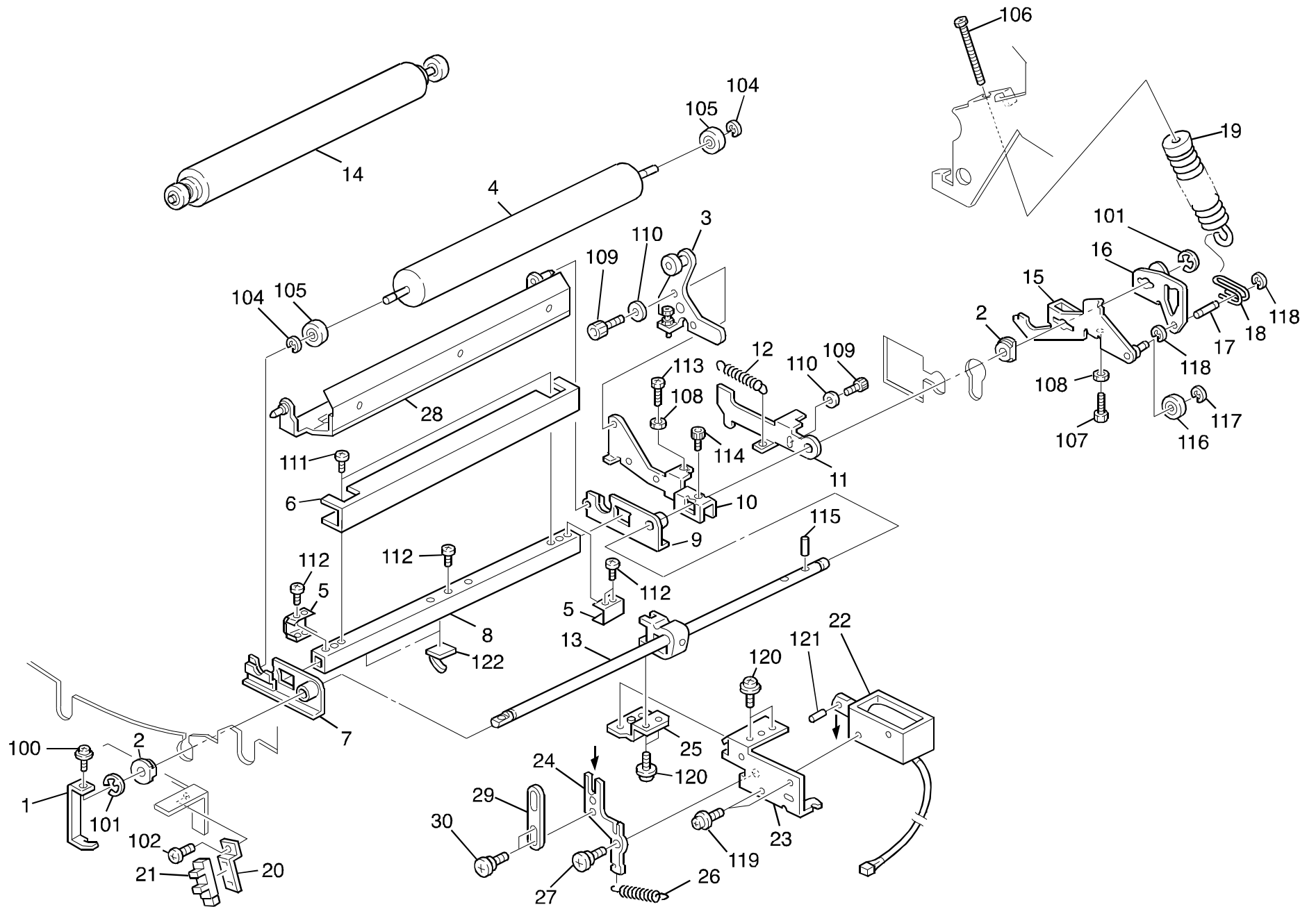


13.PAPER FEED DRIVE (C228)

Index No.	Part No.	Description	Q'ty Per Assembly
1	C203 4515	Drum Clamper Roller	2
2	C200 4551	Slide Guide	2
3	C223 4553	Master Release Lever	1
4	C200 4561	Clamper Spring	2
5	C223 4398	Lever Cushion	2
6	C223 8224	DC Solenoid Ass'y	2
7	C223 2082	Solenoid Bracket	1
8	C215 8116	Ink Detecting Board	1
9	C223 8119	Drum Harness	1
10	5501 7559	Spring - Master Feed	1
11	C200 5565	Print Pressure Stopper	1
12	C209 8262	Release Solenoid	1
13	C200 5226	Link - Paper Feed Solenoid	1
14	C200 5235	Paper Feed Solenoid Spring	1
15	C209 8262	Release Solenoid	1
16	C200 5225	Bracket - Paper Feed Solenoid	1
17	C219 2073	Stopper Stud - Paper Feed	1
18	C219 2075	Feed Gear Stopper Shaft	1
19	C201 5101	Link	1
20	C219 5109	Feed Sector Stopper	1
21	C219 5108	Sector Stopper - Feed Roller	1
22	5403 6246	Stepped Screw - Cleaning	3
23	C219 5127	Sector Gear Shaft	1
24	C203 5194	Shoulder Screw - M4	1
25	C219 5122	Paper Feed Sector Cam	1
26	C200 5205	Paper Feed Spring	1
27	C224 5101	Sector Gear	1
28	C223 4552	Master Exit Lever	1
29	C200 5222	Sector Spring	1
30	C219 5105	Sector Gear Stopper	1
31	C209 4516	Slide Guide - Drive Shaft	1
32	C203 2083	Exit Pawl Bushing	1
33	C224 8462	Drum Lock Solenoid	1
34	C218 4536	Ink Detecting Board Bracket	1
35	C218 4539	Connector Spring	2

Index No.	Part No.	Description	Q'ty Per Assembly
36	C201 5125	Shoulder Screw - M4	2
37	C215 4538	Slid Lock Arm	1
38	5403 2075	Stepped Screw	1
39	C215 4517	Connector Lock Arm	1
40	C215 4537	Connector Lock Lever	1
41	C218 4535	Drum Connector Bracket	1
42	C223 4392	Solenoid Bracket	1
43	C223 4395	Right Cushion	1
44	C223 4396	Left Cushion	1
45	C223 4555	Cushion	2
46	C201 5080	Separation Roller Pressure Spring	1
100	0622 0060E	Spring Pin - 2x6mm	
101	0434 0080Z	Pan Head Self-tapping Screw - M4x8	
102	0623 0100E	Spring Pin - 3x10mm	
103	0804 6101	Hexagon Bolt - M3	
104	0314 0200Z	Philips Screw - 4x20	
105	0951 3006Z	Philips Screw With Flat Washer - M3x6	
106	0314 0100Z	Philips Screw - 4x10	
107	0313 0040Z	Philips Pan Head Screw - M3x4	
108	0951 4006Z	Philips Screw With Flat Washer - M4	
109	0720 0080Z	Retaining Ring - M8	
110	0720 0040Z	Retaining Ring - M4	
111	0725 0220Z	Retaining Ring - M22	
112	0740 3007	Ball Bearing - 7x19x6mm	
113	0807 5004	Washer	
114	0713 0040B	Hexagon Nut - M4	
115	0720 0050Z	Retaining Ring - M5	
116	0623 0140E	Spring Pin - 3x14mm	
117	0701 0040Z	Flat Washer - M4	
118	0594 0060E	Socket Screw - 4X6	
119	0713 0050B	Hexagon Nut - M5	
120	0623 0100E	Spring Pin - 3x10mm	
121	0700 0060G	Flat Washer - M6	

14.PRESS ROLLER (C228)

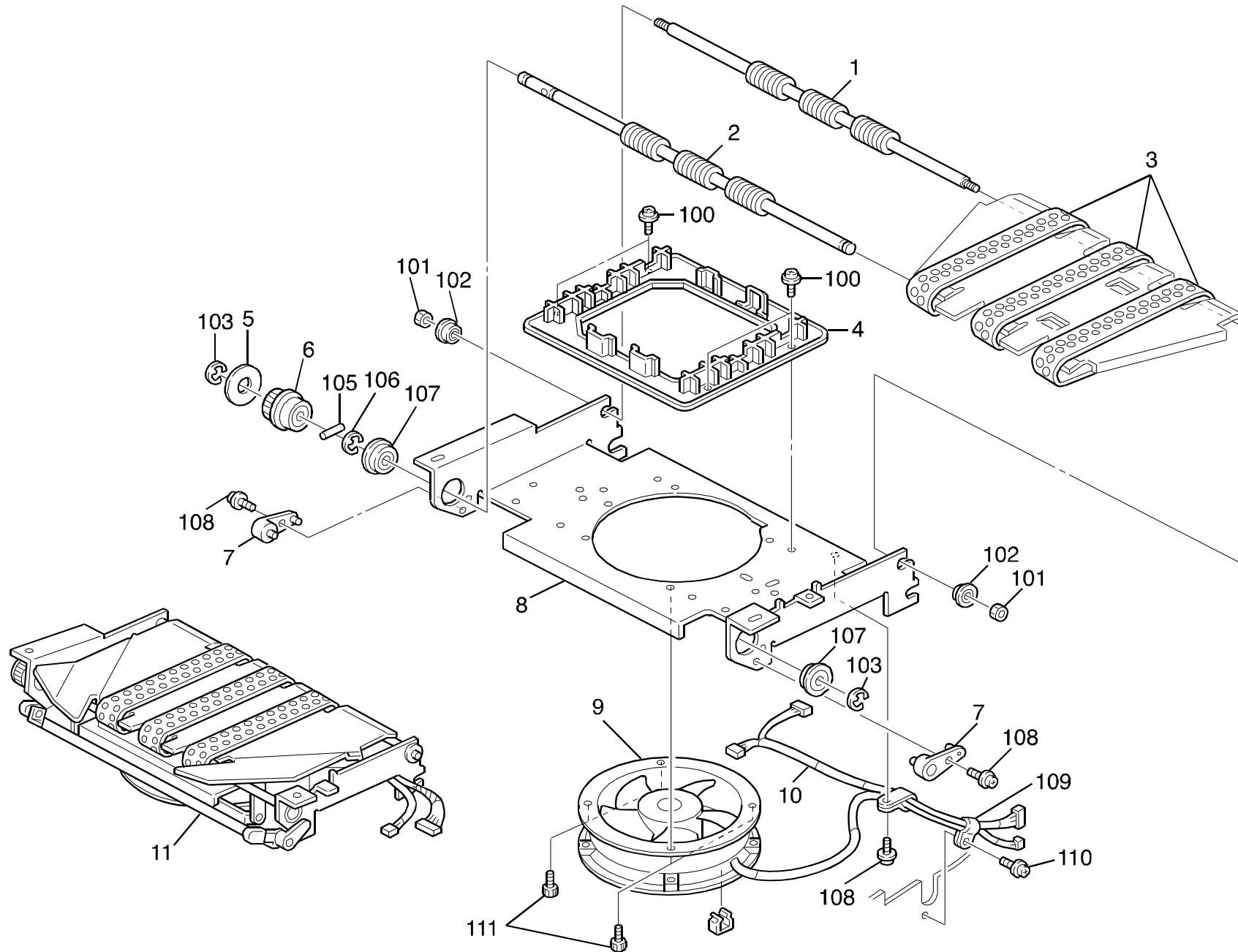


14.PRESS ROLLER (C228)

Index No.	Part No.	Description	Q'ty Per Assembly
1	C209 5507	Sensor Actuator	1
2	C200 5526	Print Pressure Bushing	2
3	C221 5573	Pressure On/Off Lever	1
4	C218 5555	Press Roller	1
5	C223 5529	Support Stay	2
6	C223 5547	Rear Guide Plate	1
7	C223 5521	Left Pressure Arm	1
8	C223 5528	Pressure Stay	1
9	C223 5525	Right Pressure Arm	1
10	C221 5570	Adjusting Plate - Exit Pawl	1
11	C223 6004	Stripper Pawl Cam	1
12	5607 2814	Roller Spring	1
13	C223 5603	Pressure Shaft - A3	1
14	C218 5554	Press Roller Ass'y	1
15	C228 5566	Pressure On/off Lever	1
16	C200 5541	Print Pressure Arm	1
17	C209 5521	Joint Shaft	1
18	C209 5543	Press Roller Spring Link	1
19	C218 5526	Spring	1
20	C219 2306	Drum Sensor Bracket	1
21	AW02 0021	Photointerruptor - 175487-3	1
22	C222 8236	Press Roller Solenoid	1
23	C223 5575	Solenoid Bracket	1
24	C223 5576	Drive Arm	1
25	C223 5255	Solenoid Support Bracket	1
26	C222 5275	Tension Spring	1
27	AA14 3062	Shoulder Screw - M4	1
28	C228 5587	Bracket Sheet Ass'y	1
29	C223 5586	Drive Arm Slider	1
30	AA14 3285	Stepped Screw	

Index No.	Part No.	Description	Q'ty Per Assembly
100	0951 4008Z	Philips Screw With Flat Washer M4x8	
101	0720 0120Z	Retaining Ring - M12	
102	0314 0100Z	Philips Screw - 4x10	
104	0720 0060Z	Retaining Ring - M6	
105	0740 3007	Ball Bearing - 7x19x6mm	
106	0586 0451Z	Hexagon Bolt - M6x45	
107	0584 0121Z	Hexagon Bolt - M4x12	
108	0710 0040Z	Hex Nut 4	
109	0594 0060E	Socket Screw - 4X6	
110	0701 0040Z	Flat Washer - M4	
111	0433 0080Z	Tapping Screw - M3x8	
112	0313 0060Z	Philips Pan Head Screw - M3x6	
113	0584 0101Z	Hexagon Bolt - M4x10	
114	0595 0140E	Hexagon Bolt - M5x14	
115	0804 4060	Spring Pin - M4x22	
116	0740 3206	Ball Bearing - 6x19x6	
117	0720 0040Z	Retaining Ring - M4	
118	0720 0030Z	Retaining Ring - M3	
119	0951 3004Z	Philips Screw With Flat Washer - M3x4	
120	0960 3006Z	Philips Flange Screw - M3x6	
121	0623 0100E	Spring Pin - 3x10mm	
122	1105 0021	Cord Clamper	

15.PAPER EXIT SECTION 1 (C228)

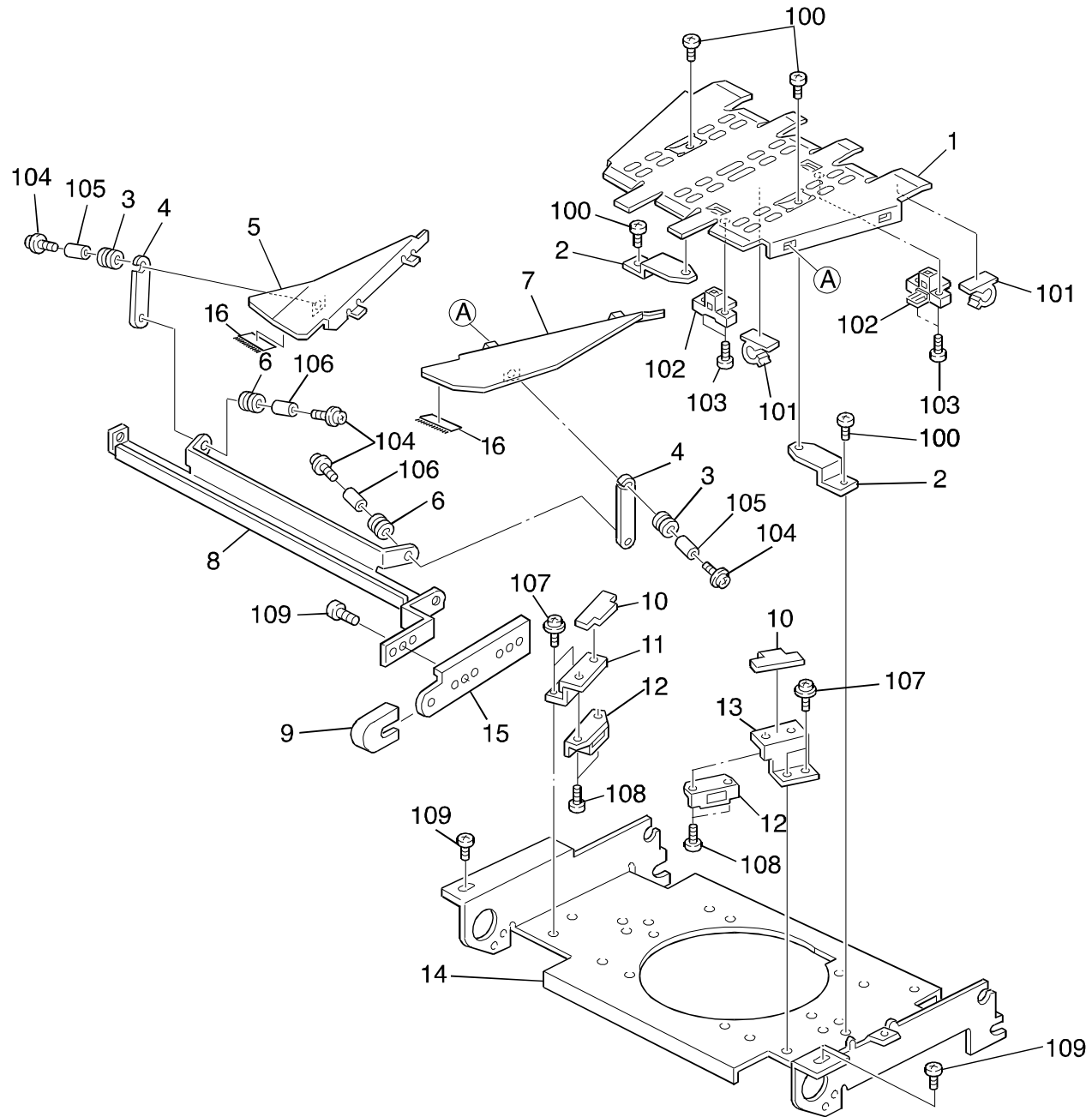


15.PAPER EXIT SECTION 1 (C228)

Index No.	Part No.	Description	Q'ty Per Assembly
1	C223 6019	Idler Roller - Transport Belt	1
2	C209 6009	Drive Roller - Transport Belt	1
3	C209 6016	Transport Belt	3
4	C209 6017	Vacuum Duct	1
5	C203 6065	Pulley Flange	1
6	C219 6080	Adjusting Lever Shaft	1
7	C209 6052	Drive Roller Arm	2
8	C221 6002	Vacuum Base	1
9	C209 8204	Vacuum Fan Motor	1
10	C209 8107	Brower Moter Harness	1
11	C221 1027	Delivery Table Ass'Y	1

Index No.	Part No.	Description	Q'ty Per Assembly
100	0951 4008Z	Philips Screw With Flat Washer M4x8	
101	0712 0060Z	Hexagon Nut - M6	
102	0741 3506	Ball Bearing - 6x12x4 Mm	
103	0720 0080Z	Retaining Ring - M8	
105	0623 0160E	Spring Pin - 3x16mm	
106	0720 0080Z	Retaining Ring - M8	
107	0805 3452	Ball Bearing - 10x22x6mm	
108	0951 4008Z	Philips Screw With Flat Washer M4x8	
109	1105 0016	Nylon Clamp - 4n	
110	0960 4008Z	Flange Head Screw - 4x8	
111	0594 0120E	Hexagon Bolt - M4x12	

16.PAPER EXIT SECTION 2 (C228)

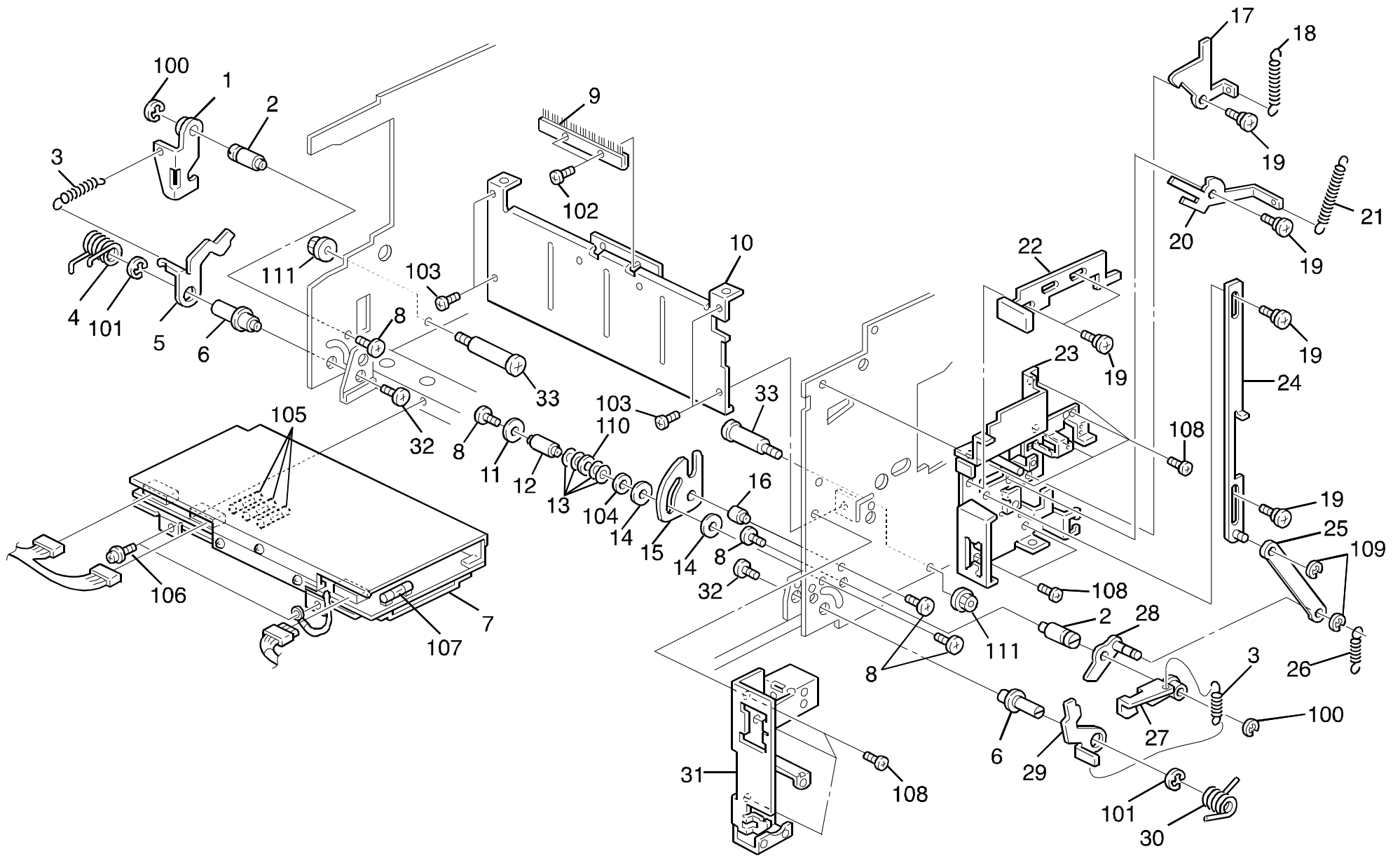


16.PAPER EXIT SECTION 2 (C228)

Index No.	Part No.	Description	Q'ty Per Assembly
1	C209 6005	Vacuum Plate	1
2	C209 6003	Vacuum Plate Bracket	2
3	C203 6047	Rubber Washer	2
4	C203 6046	Link - Wing	2
5	C209 6028	Transport Right Wing	1
6	C209 6050	Bushing - 4x8x6 Mm	2
7	C209 6025	Transport Left Wing	1
8	C221 6051	Support Arm	1
9	C209 4059	Lever Knob	1
10	C203 6035	Magnet Plate	2
11	C221 6037	Right Support Plate	2
12	AG07 0004	Magnetic Catch	1
13	C221 6038	Left Support Plate	1
14	C221 6002	Vacuum Base	1
15	C221 6048	Small Arm	1
16	C228 6030	Autistic Brush - 35mm	2

Index No.	Part No.	Description	Q'ty Per Assembly
100	0434 0080Z	Pan Head Self-tapping Screw - M4x8	
101	1105 0172	Clamp	
102	1403 0691	Photo Sensor	
103	0313 0100Z	Philips Pan Head Screw - M3x10	
104	0951 3012Z	Philips Screw W/h Flat Washer - M3x12	
105	0707 3050B	Bushing - 3x5mm	
106	0707 3080B	Bushing - M3x8	
107	0964 3006Z	Tapping Screw With Flat Washer - M3	
108	0313 0040Z	Philips Pan Head Screw - M3x4	
109	0314 0080Z	Philips Screw - 4x8	

17.PAPER EXIT SECTION 3 (C228)

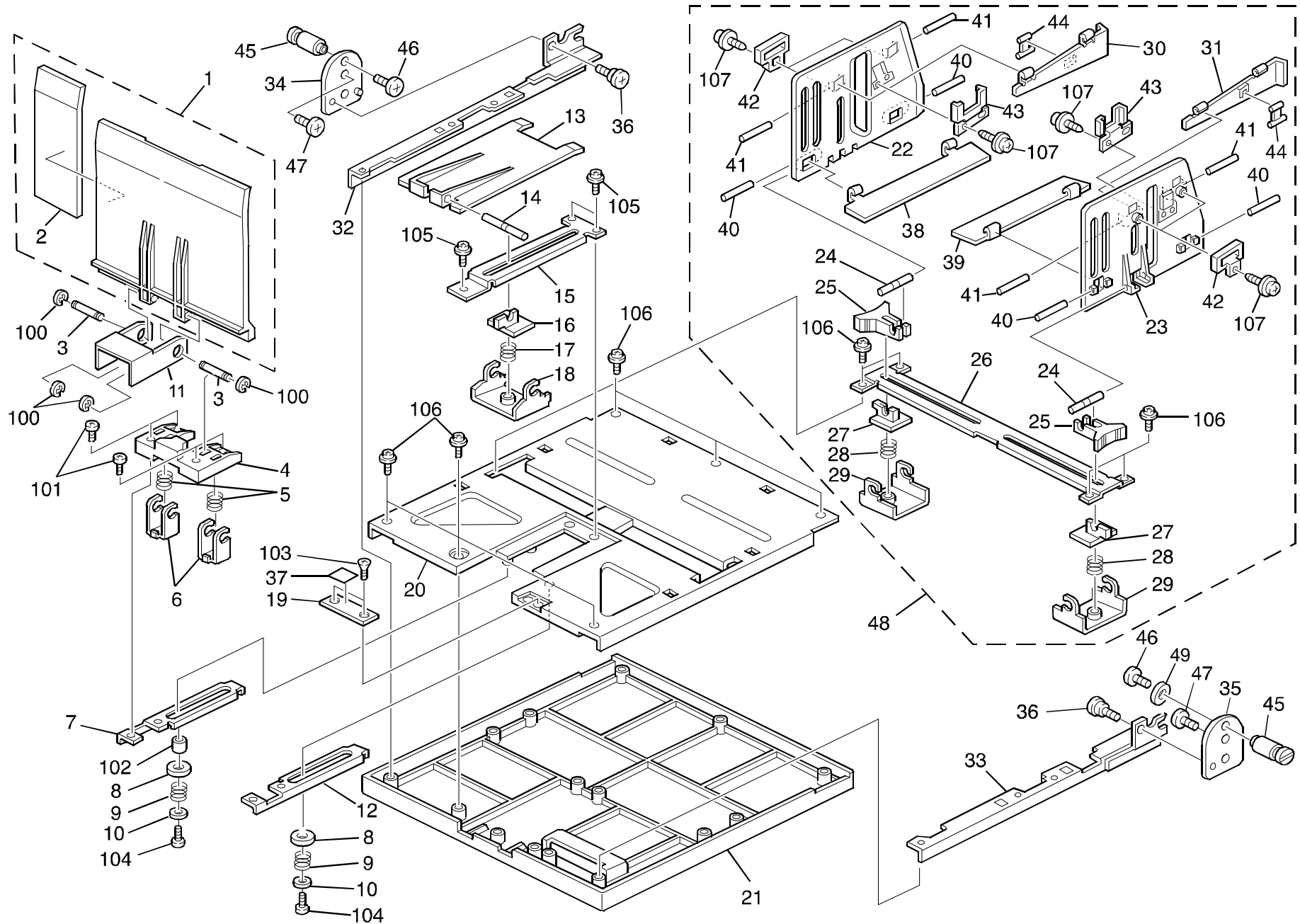


17.PAPER EXIT SECTION 3 (C228)

Index No.	Part No.	Description	Q'ty Per Assembly
1	C209 6110	Right Exit Cam	1
2	C209 6104	Exit Cam Shaft	2
3	C209 6114	Tension Spring	2
4	C209 6116	Right Adjusting Lever Spring	1
5	C209 6113	Right Adjusting Lever	1
6	C221 6118	Adjusting Lever Shaft	2
7	C222 8301	Power Supply Unit	1
8	5506 6197	Screw - Knife Cam - Leading Edge CL	5
9	C219 6084	Antistatic Brush	1
10	C223 6081	Exit Guide Plate	1
11	C209 6179	Spacer - 4x18x2	1
12	C209 6177	Stud - M4x11	1
13	C209 6180	Spring Washer - M8	4
14	C209 6178	Spacer 8x20x2	14
15	C209 6176	Delivery Table Angle	1
16	C209 6175	Stud - M4	1
17	C200 3953	Middle Lever	1
18	C200 3956	Middle Lever Spring	1
19	C219 3950	Stepped Screw	6
20	C200 3954	Lower Lever	1
21	C200 3957	Lower Lever Spring	1
22	C218 2160	Upper Lever	1
23	C218 2164	2nd Left Side Plate	1
24	C209 6188	Sensor Actuator - Delivery Table	1
25	C209 6196	Actuator Link - Delivery Table	1
26	5501 7559	Spring - Master Feed	1
27	C209 6107	Left Exit Cam	1
28	C209 6193	Lock Arm - Delivery Table Sensor	1
29	C209 6112	Left Adjusting Lever	1
30	C209 6115	Left Adjusting Lever Spring	1
31	C219 2109	Key Counter Bracket	1
32	5603 1045	Screw - M5	2
33	C219 2111	Shaft	2

Index No.	Part No.	Description	Q'ty Per Assembly
100	0720 0060Z	Retaining Ring - M6	
101	0720 0100Z	Retaining Ring - M10	
102	0313 0040Z	Philips Pan Head Screw - M3x4	
103	0314 0080Z	Philips Screw - 4x8	
104	0701 0080Z	Flat Washer - M8	
105	1107 0415	Fuse (Glass Case) - 5A - 125V	
106	0951 3008Z	Philips Screw With Flat Washer - M3x8	
107	1107 0354	Fuse - 3.15A 125V	
108	0434 0080Z	Pan Head Self-tapping Screw - M4x8	
109	0720 0040Z	Retaining Ring - M4	
110	0807 5013	Flat Washer - M8.4	
111	0713 0050B	Hexagon Nut - M5	

18.PAPER EXIT SECTION 4 (C228)

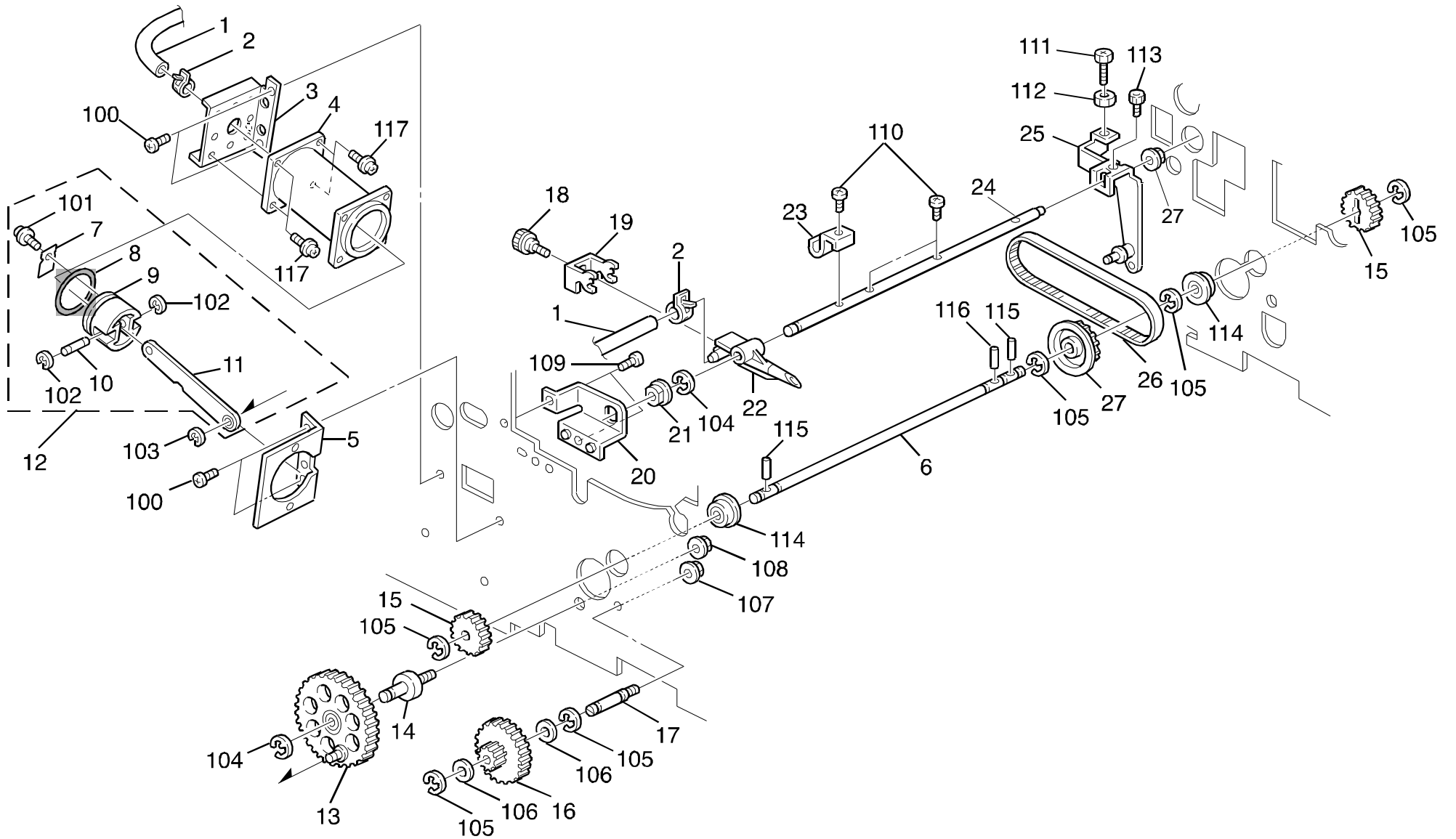


18.PAPER EXIT SECTION 4 (C228)

Index No.	Part No.	Description	Q'ty Per Assembly
*	C228 6271	Delivery Table Unit (LT)	1
*	C228 6101	Delivery Table Unit (A4)	1
1	C227 6184	End Fence	1
2	C227 6196	End Fence Cushion	1
3	C226 6167	End Fence Shaft	2
4	C209 6160	End Fence Base	1
5	C227 6159	End Fence Spring - Large	2
6	C209 6158	End Fence Bracket	2
7	C209 6162	Right Rail - End Fence (A4)	1
7	C210 6255	Right Rail - End Fence (LT)	1
8	C209 6163	Spacer - 10x18x1	2
9	C209 6164	Rail Spring - End Fence	2
10	C209 6168	End Fence Washer	2
11	C228 6166	End Fence Support Plate	1
12	C209 6161	Left Rail - End Fence (A4)	1
12	C210 6254	Left Rail - End Fence (LT)	1
13	C209 6183	Small End Fence	1
14	C209 6144	Guide Fence Shaft	1
15	C209 6151	End Fence Support Rail	1
16	C209 6142	Guide Fence Slider	1
17	C209 6150	End Fence Spring	1
18	C209 6153	Bracket - Support End Fence	1
19	C209 6136	Magnet Plate	1
20	C210 6262	Delivery Table (A4)	1
20	C210 6253	Delivery Table (LT)	1
21	C218 6119	Delivery Table Cover	1
22	C227 6147	Front Guide Fence	1
23	C227 6146	Rear Guide Fence	1
24	C209 6144	Guide Fence Shaft	2
25	C209 6143	Guide Fence Knob	2
26	C209 6141	Guide Fence Rail	1
27	C227 6142	Guide Fence Slider	2
28	C227 6157	Guide Fence Spring	2
29	C227 6145	Guide Fence Bracket	2
30	C227 6173	Upper Guide - Rear Fence	1

Index No.	Part No.	Description	Q'ty Per Assembly
31	C227 6172	Upper Guide - Front Fence	1
32	C221 6131	Right Stay - Delivery Table	1
33	C221 6130	Left Stay - Delivery Table	1
34	C221 6128	Support Plate - Right Stay	2
35	C221 6127	Support Plate - Left Stay	2
36	5607 3927	Stepped Screw - M3x8	2
37	C209 6137	Magnet Catch Cover	1
38	C227 6167	Lower Guide - Front Fence (A4)	1
38	C222 6167	Lower Guide - Front Fence (LT)	1
39	C227 6166	Lower Guide - Rear Fence (A4)	1
39	C222 6166	Lower Guide - Rear Fence (LT)	1
40	C227 6155	Lower Guide Shaft	4
41	C227 6156	Upper Guide Shaft	4
42	C227 6158	Guide Stopper	4
43	C227 6160	Upper Guide Spring Plate	2
44	C227 6162	Upper Guide Link	2
45	C209 6126	Stud - M4	2
46	5506 6197	Screw - Knife Cam - LEADING EDGE CL	2
47	5603 1045	Screw - M5	2
48	C227 6138	Exit Guide Plate Ass'y(A4)	1
48	C222 6138	Exit Guide Plate Ass'y (LT)	1
49	C209 6163	Spacer - 10x18x1	1
100	0720 0030Z	Retaining Ring - M3	
101	0343 0060W	Philips Pan Head Screw - M3x6	
102	0707 8105B	Bushing - M8x10.5	
103	0323 0060Z	Philips Sunk Screw - M3x6	
104	0313 0060Z	Philips Pan Head Screw - M3x6	
105	0450 3008W	Philips Tapping Screw - M3x8	
106	0965 3012W	Tapping Screw With Flat Washer - M3	
107	0450 4008W	Philips Tapping Screw - M4x8	

19.PAPER EXIT SECTION 5 (C228)

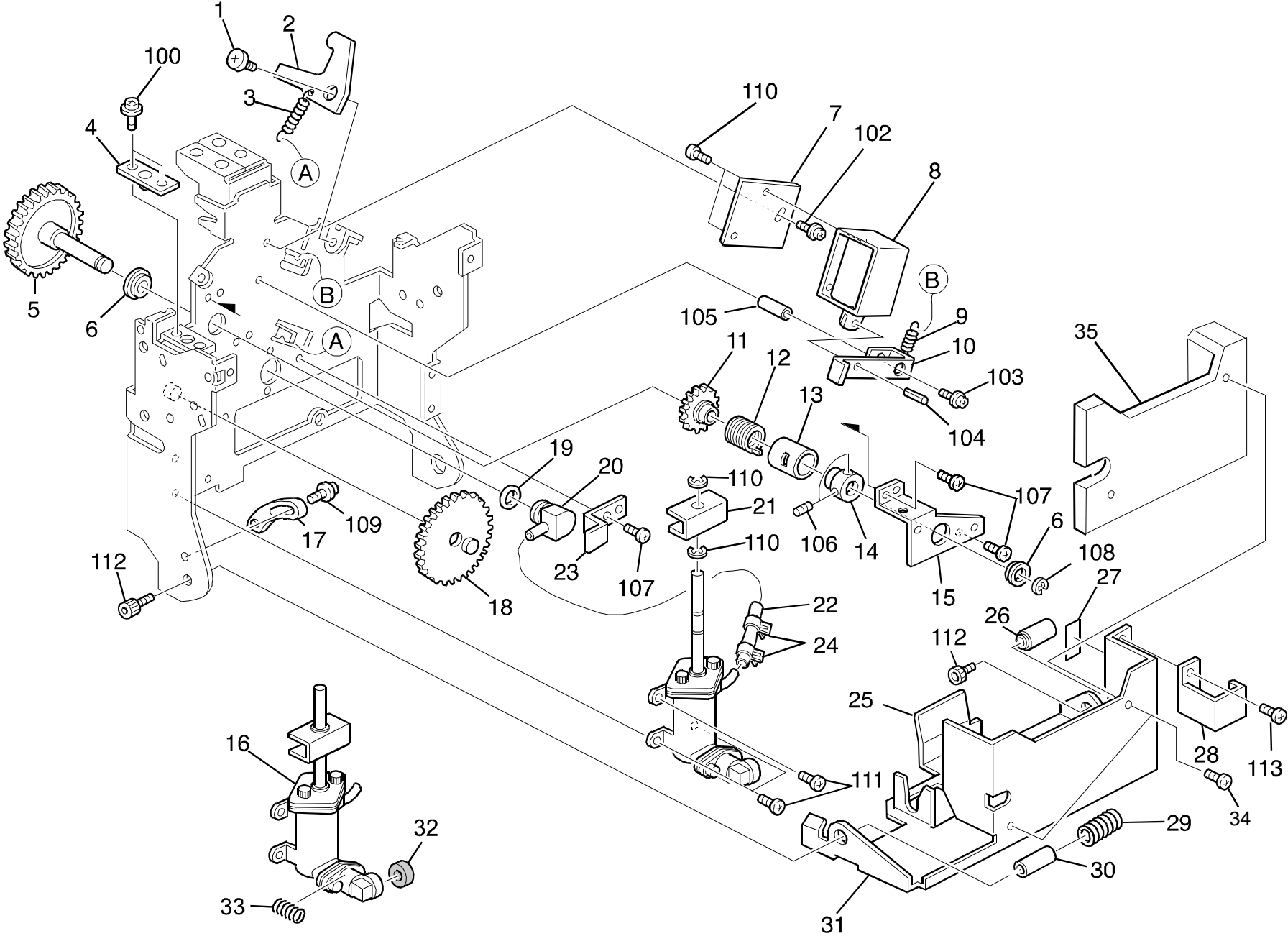


19.PAPER EXIT SECTION 5 (C228)

Index No.	Part No.	Description	Q'ty Per Assembly
1	C218 6219	Air Hose	1
2	C209 4711	Hose Band	1
3	C209 6241	Front Cylinder Bracket	1
4	C209 6240	Air Pump Cylinder	1
5	C209 6242	Rear Sylinder Bracket	1
6	C209 6065	Drive Shaft - Vacuum Roller	1
7	C209 6215	Piston Valve	1
8	C209 6216	O-ring - 39	1
9	C200 6059	Pulley - 25T	1
10	C209 6213	Piston Pin - Air Pump	1
11	C209 6211	Piston Link - Air Pump	1
12	C209 6203	Air Piston Ass'y	1
13	C209 6207	Gear - 75Z	1
14	C209 6210	Air Pump Drive Shaft	1
15	C209 6064	Gear - 28Z	2
16	C209 6204	Gear - 18/48Z	1
17	C209 6206	Gear Shaft	1
18	C209 6231	Knob Screw - M4	1
19	C209 6230	Exit Pawl Holder	1
20	C209 6223	Exit Pawl Bracket	1
21	5053 0223	Bushing - 8mm	1
22	C209 6233	Exit Pawl	1
23	C209 6225	Hose Clamp	1
24	C209 6232	Exit Pawl Shaft	1
25	C200 6004	Exit Pawl Lever	1
26	C209 6067	Timing Belt - 220XL025G	1
27	C203 2083	Exit Pawl Bushing	1

Index No.	Part No.	Description	Q'ty Per Assembly
100	0314 0080Z	Philips Screw - 4x8	
101	0433 0060W	Tapping Screw - M3x6	
102	0720 0030Z	Retaining Ring - M3	
103	0720 0040Z	Retaining Ring - M4	
104	0720 0060Z	Retaining Ring - M6	
105	0720 0080Z	Retaining Ring - M8	
106	0807 7013	Spacer - 10.2x14x0.2 mm	
107	0713 0050B	Hexagon Nut - M5	
108	0713 0080B	Flanged Hexagon Nat - M8	
109	0314 0050Z	Philips Pan Head Screw - M4x5	
110	0313 0060Z	Philips Pan Head Screw - M3x6	
111	0584 0121Z	Hexagon Bolt - M4x12	
112	0710 0040Z	Hex Nut 4	
113	0593 0080E	Bolt - M3x8	
114	0805 3452	Ball Bearing - 10x22x6mm	
115	0623 0160E	Spring Pin - 3x16mm	
116	0623 0180E	Spring Pin - 3x18mm	
117	0960 4008Z	Flange Head Screw - 4x8	

20.DRUM SECTION 1 (C228)

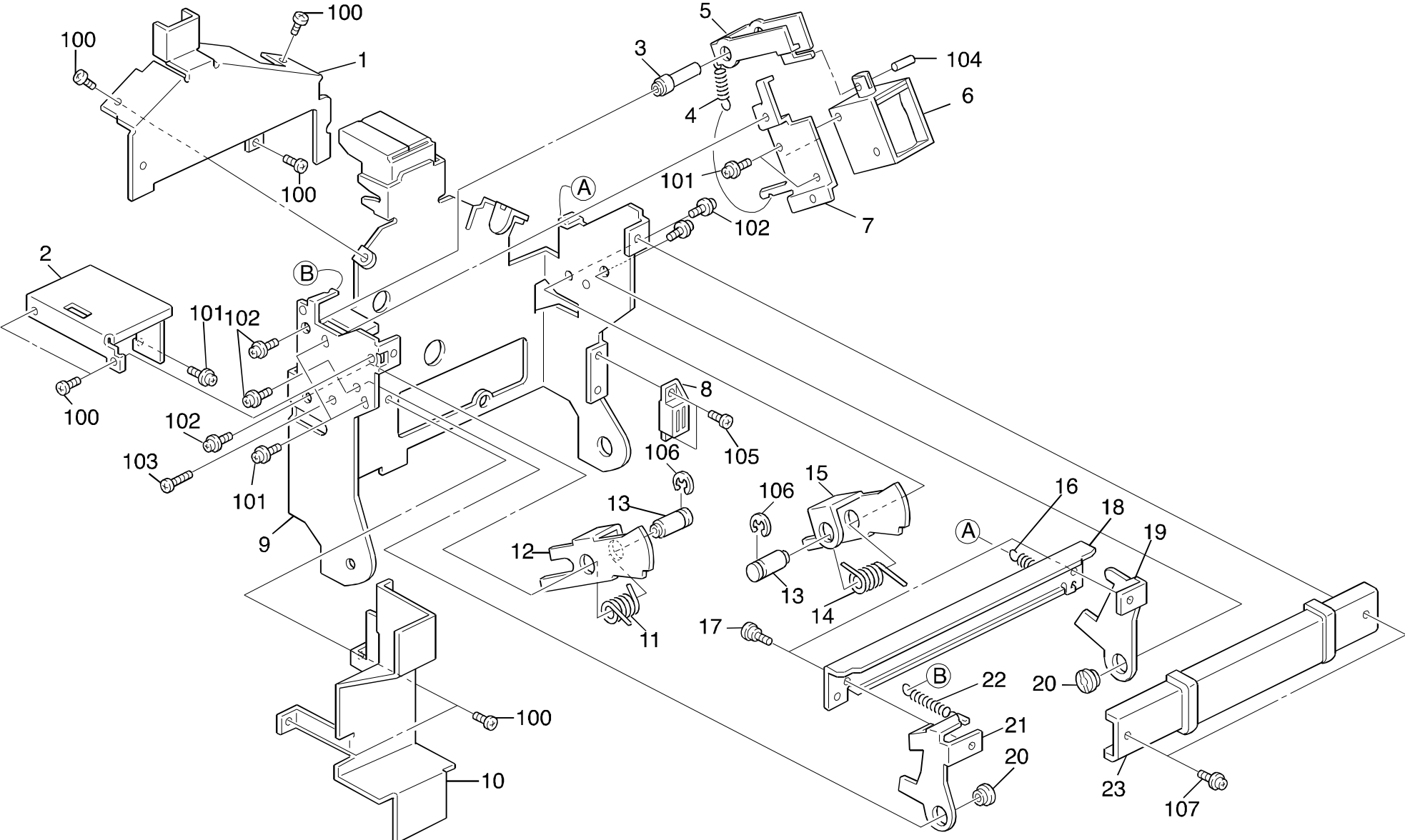


20.DRUM SECTION 1 (C228)

Index No.	Part No.	Description	Q'ty Per Assembly
1	5413 1882	Stepped Screw	1
2	C209 4529	Drum Stopper	1
3	C200 4914	Drum Stopper Spring	1
4	C200 4814	Bushing - 6x10x55mm	1
5	C209 4852	Gear - 46Z	1
6	5507 6624	Bushing - 8x16x45mm	2
7	C200 4864	Bracket - Ink Supply Solenoid	1
8	C209 8227	Ink Supply Solenoid	1
9	5505 3598	Spring - Ratch - Control Section	1
10	C200 4862	Ink Stopper	1
11	C209 4674	Gear - 25Z	1
12	C201 4676	Clutch Spring	1
13	C200 4861	Pump Clutch Sleeve	1
14	C201 4067	Pump Clutch Collar	1
15	C209 4677	Clutch Bracket	1
16	C222 4670	Ink Pump	1
17	C200 4926	Ink Holder Cam	1
18	C209 4867	Gear - 64Z	1
19	0808 0021	Rubber Ring	1
20	C213 4810	Ink Antechamber	1
21	C201 4679	Ink Pump Slider	1
22	C209 4817	Ink Tube - Small	1
23	C209 4816	Stopper Plate - Ink Antechamber	1
24	C223 4713	Hose Band	2
25	C200 4826	Pump Rubber	1
26	C209 4923	Right Shaft - Ink Holder	1
27	C209 4930	Seal - 0.1x5x17	1
28	C201 4639	Ink Holder Handle	1
29	C201 4682	Ink Cartridge Spring	1
30	C200 4924	Right Shaft - Ink Holder	1
31	C209 4641	Ink Holder	1
32	C200 4826	Pump Rubber	1
33	C222 4710	Pump Spring - 21 Mm	1
34	C526 4633	Spacer (A4)	1
35	C522 2435	Screw - M3 (A4)	2

Index No.	Part No.	Description	Q'ty Per Assembly
100	0951 4006Z	Philips Screw With Flat Washer - M4	
101	0313 0040Z	Philips Pan Head Screw - M3x4	
102	0960 4006Z	Philips Frang Screw - M4x6	
103	0951 4020Z	Philips Screw With Flat Washer - M4	
104	0623 0080E	Spring Pin - 3x8mm	
105	0707 4160B	Bushing - 4x16mm	
106	0574 0050E	Hexagon Headless Set Screw - M4x5	
107	0434 0060Z	Pan Head Self-tapping Screw - M4x6	
108	0720 0060Z	Retaining Ring - M6	
109	0951 4010Z	Philips Screw With Flat Washer M4x10	
110	0720 0050Z	Retaining Ring - M5	
111	0434 0080Z	Pan Head Self-tapping Screw - M4x8	
112	0595 0080Z	Bolt - M5x8	
113	0314 0060Z	Philips Pan Head Screw - M4x6	

21.DRUM SECTION 2 (C228)

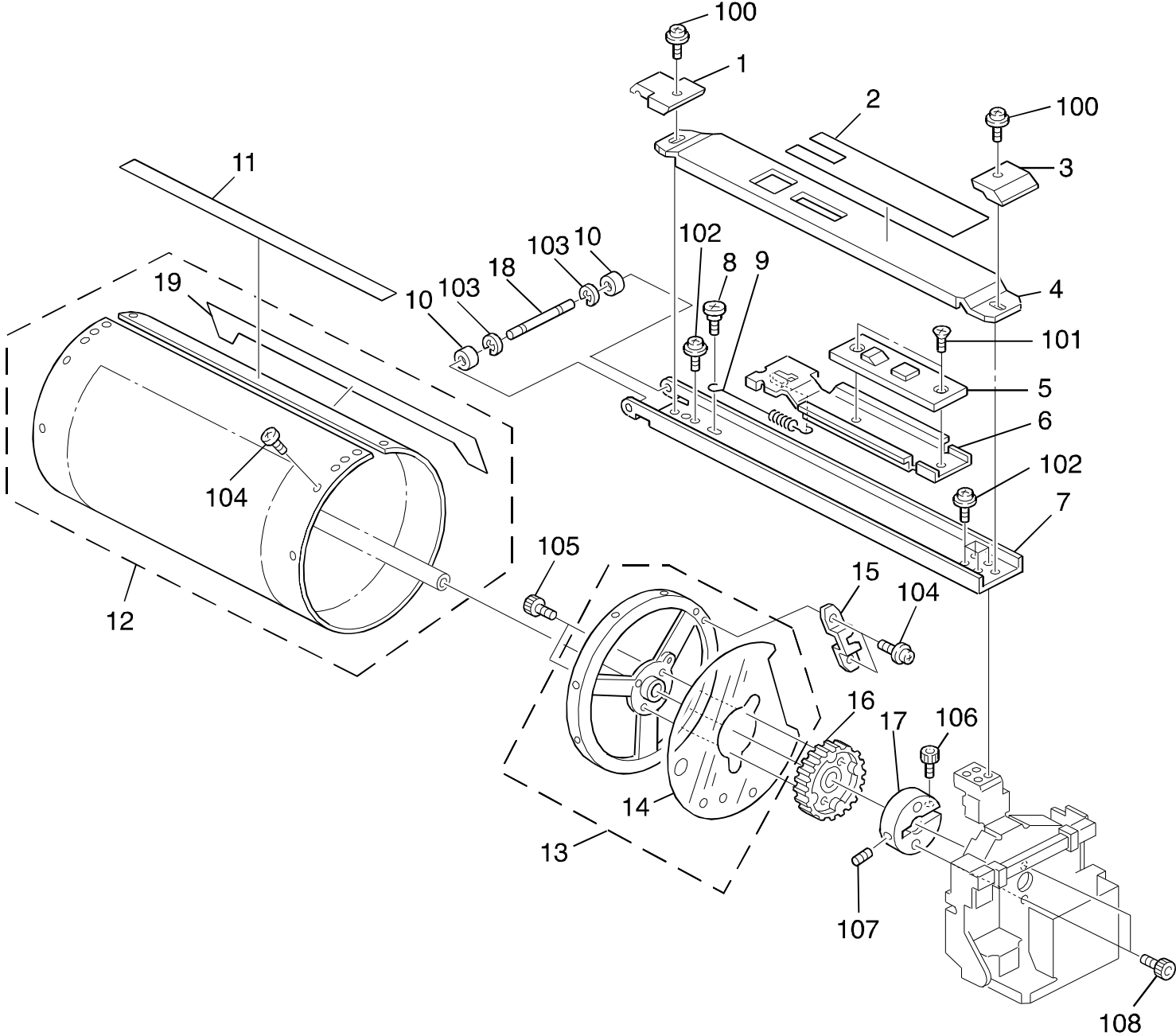


21.DRUM SECTION 2 (C228)

Index No.	Part No.	Description	Q'ty Per Assembly
1	C209 4616	Side Plate Cover - Drum	1
2	C209 4620	Upper Cover - Drum Side Plate	1
3	C209 4566	Drum Lock Shaft	1
4	C200 5118	Release Spring	1
5	C209 4567	Left Arm - Drum Lock	1
6	C209 8234	Drum Lock Solenoid	1
7	C209 4568	Solenoid Bracket - Drum Lock	1
8	5054 0536	Magnet Catch Ass'y	1
9	C209 4624	Front Side Plate	1
10	C209 4617	Lower Cover - Drum Side Plate	1
11	C209 4634	Drum Lock Spring - Left	1
12	C200 4631	Left Arm - Drum Lock	1
13	C200 4633	Drum Lock Shaft - Long	2
14	C200 4635	Drum Lock Spring - Right	1
15	C200 4632	Right Arm - Drum Lock	1
16	5600 1379	Spring	1
17	5400 3404	Stepped Screw	2
18	C209 4639	Release Lever - Drum Lock	1
19	C209 4637	Right Stopper - Drum Lock	1
20	C200 4638	Drum Lock Shaft - Small	2
21	C209 4638	Left Stopper - Drum Lock	1
22	C209 4642	Drum Lock Spring	1
23	C201 4636	Drum Unit Handle	1

Index No.	Part No.	Description	Q'ty Per Assembly
100	0434 0060Z	Pan Head Self-tapping Screw - M4x6	
101	0951 3005Z	Philips Pan Head Screw - M3x5	
102	0960 4006Z	Philips Frang Screw - M4x6	
103	0434 0100Z	Pan Head Self-tapping Screw - M4x10	
104	0623 0080E	Spring Pin - 3x8mm	
105	0314 0060Z	Philips Pan Head Screw - M4x6	
106	0720 0060Z	Retaining Ring - M6	
107	0960 4008Z	Flange Head Screw - 4x8	

22.DRUM SECTION 3 (C228)

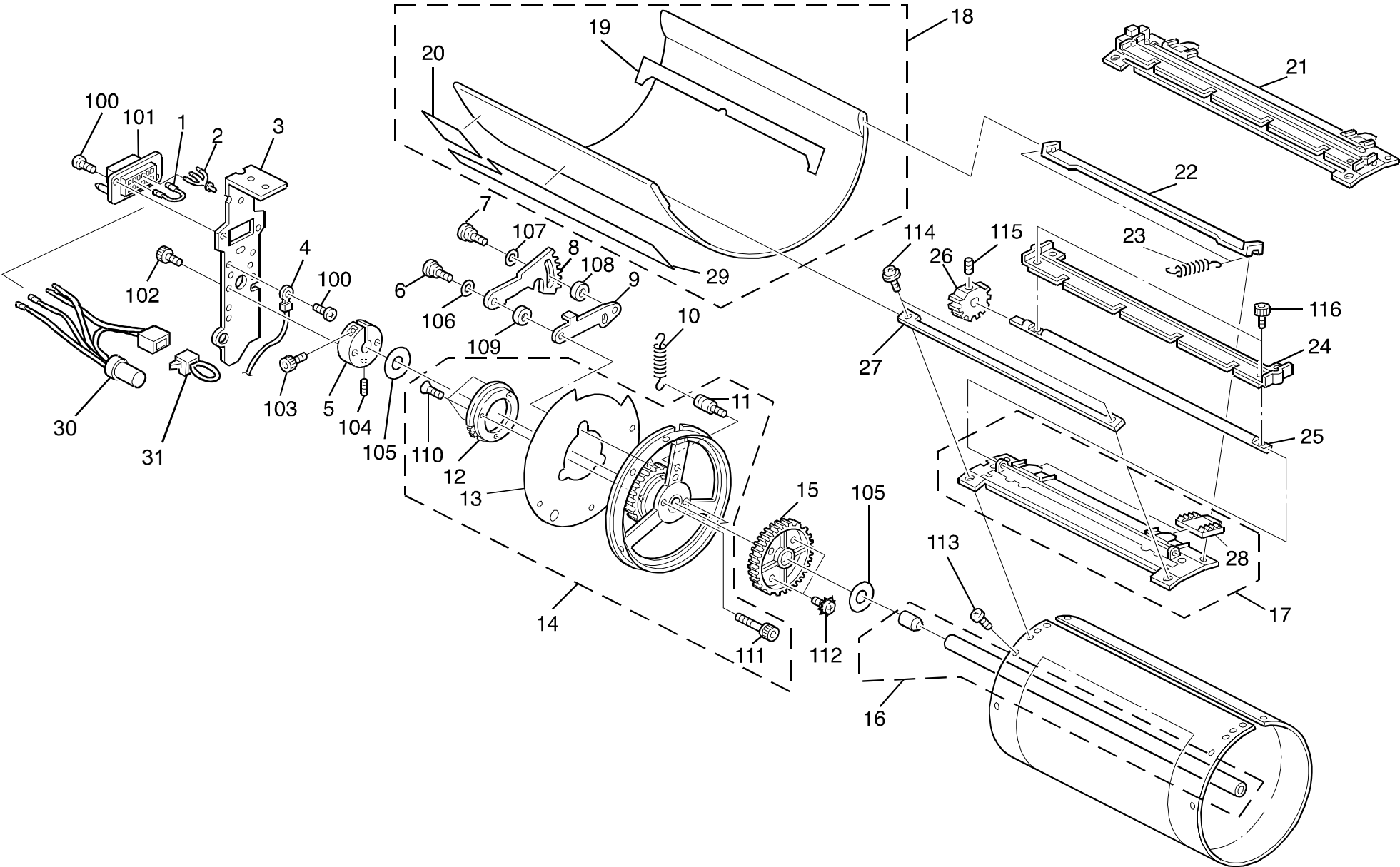


22.DRUM SECTION 3 (C228)

Index No.	Part No.	Description	Q'ty Per Assembly
1	C218 4612	Rear Roller Guide	1
2	C201 2543	Decal - Drum Caution	1
3	C207 4611	Front Stopper Guide	1
4	C201 4613	Drum Rail Cover	1
5	C201 4609	Stopper Relasing Lever	1
6	C201 4606	Stopper Releasing Plate	1
7	C200 4625	Drum Rail	1
8	5506 6111	Stepped Screw - M4	1
9	C201 4610	Drum Slider Spring	1
10	C201 4604	Drum Rail Roller	2
11	2701 0101	Metal Screen Seal	1
12	C223 4801	Metal Screen - DLT	1
12	C528 4817	Metal Screen (A4)	1
13	C219 4648	Front Drum Flange	1
14	C219 4678	Front Drum Flange Cover	1
15	C209 4681	Stopper Plate	1
16	C209 4673	Gear - 62Z	1
17	C200 4653	Drum Shaft Bracket	1
18	C200 4627	Drum Rail Shaft	1
19	C209 4814	Metal Screen Mylar	1

Index No.	Part No.	Description	Q'ty Per Assembly
100	0951 4008Z	Philips Screw With Flat Washer M4x8	
101	0323 0050Z	Philips Sunken Head Screw - M3x5	
102	0960 4006Z	Philips Frang Screw - M4x6	
103	0720 0050Z	Retaining Ring - M5	
104	0951 4006Z	Philips Screw With Flat Washer - M4	
105	0595 0080E	Hexagon Bolt - M5x8	
106	0595 0140E	Hexagon Bolt - M5x14	
107	0575 0080E	Hexagon Headless Set Screw - M5x8	
108	0594 0080Z	Bolt - M4x8	

23.DRUM SECTION 4 (C228)

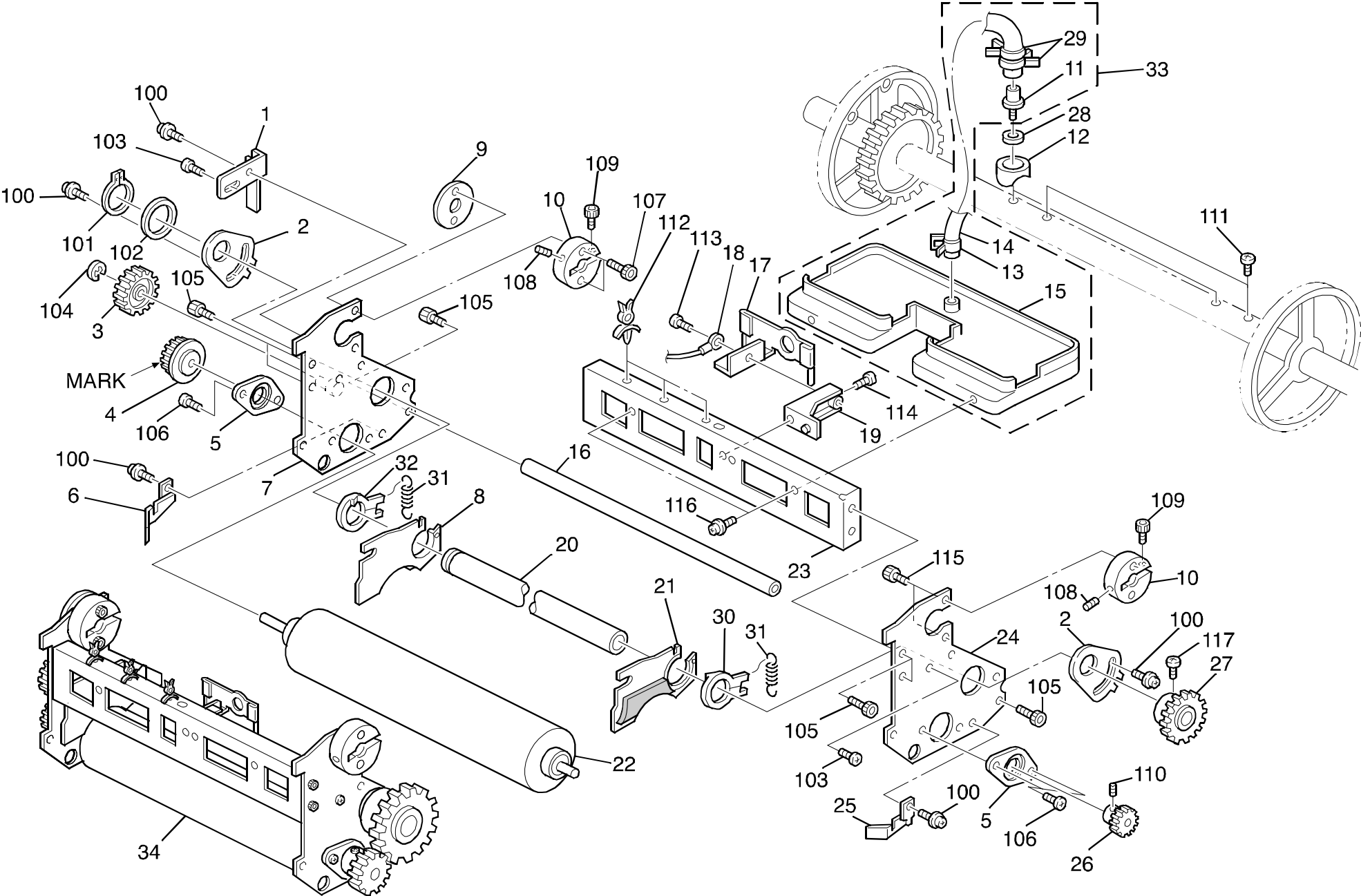


23.DRUM SECTION 4 (C228)

Index No.	Part No.	Description	Q'ty Per Assembly
1	C209 8169	Short Harness	1
2	C526 8172	Relay Harness (Option Drum	1
3	C209 4613	Rear Side Plate - Drum	1
4	C209 8140	Grounding Wiar - 65mm	1
5	C200 4653	Drum Shaft Bracket	1
6	5506 6069	Step Screw - Etching Middle Roller	1
7	C200 4946	Clamper Sector Shaft	1
8	C200 4944	Sector Gear - 9t	1
9	C209 4689	Interrupter Plate	1
10	C200 4945	Sector Gear Spring	1
11	5413 2274	Spring Anchor - Release Lever	1
12	C209 4688	Gear Support Plate	1
13	C219 4679	Rear Shield - Drum Flange	1
14	C218 4565	Rear Drum Flange (DLT)	1
14	C559 4900	Rear Drum Flange (A4)	1
15	C209 4672	Gear - 50Z	1
16	C209 4531	Drum Shaft	1
17	C218 4945	Drum Clamper Base Ass'y	1
18	C223 4836	Cloth Screen (DLT)	1
18	C528 4851	Cloth Screen (A4)	1
19	C209 4850	Screen Myler	1
20	C209 4550	Black Seal - 40x50	1
21	C218 4936	Drum Clamper Ass'y	1
22	C218 4683	Screen Rear Plate (DLT)	1
22	C209 4683	Screen Rear Plate (A4)	1
23	C209 4540	Screen Plate Spring (DLT)	2
23	C527 4549	Screen Plate Spring (A4)	2
24	C209 4938	Clamper Magnet	1
25	C209 4941	Clamper Shaft	1
26	C200 4942	Pinion - 9t	1
27	C209 4682	Screen Front Plate	1
28	C209 4947	Clamper Rubber	2
29	C223 4840	Master Stopper-300x3.5	1
30	C528 8172	Relay Harness (A4)	1
31	C528 8173	Short Connector Color Indication (A4)	1

Index No.	Part No.	Description	Q'ty Per Assembly
100	0314 0080Z	Philips Screw - 4x8	
101	1102 2098	Connector - 12P	
102	0594 0080Z	Bolt - M4x8	
103	0595 0140E	Hexagon Bolt - M5x14	
104	0575 0080E	Hexagon Headless Set Screw - M5x8	
105	0807 7114	Washer - 16x24x0.3mm	
106	0807 5044	Spacer - 8.1mm x 11.5mm x 0.2	
107	0807 4126	Flat Washer - 6.2x12x0.2mm	
108	0807 3103	Washer - 4x13x2.3mm	
109	0807 5076	Washer - 8x13x2.2mm	
110	0323 0060Z	Philips Sunk Screw - M3x6	
111	0804 6092	Hexagonal Set Screw	
112	0952 4008W	Philips Screw - M4x8	
113	0951 4006Z	Philips Screw With Flat Washer - M4	
114	0951 4008Z	Philips Screw With Flat Washer M4x8	
115	0574 0050E	Hexagon Headless Set Screw - M4x5	
116	0804 6091	Hexagonal Set Screw - M2x5	

24.DRUM SECTION 5 (C228)

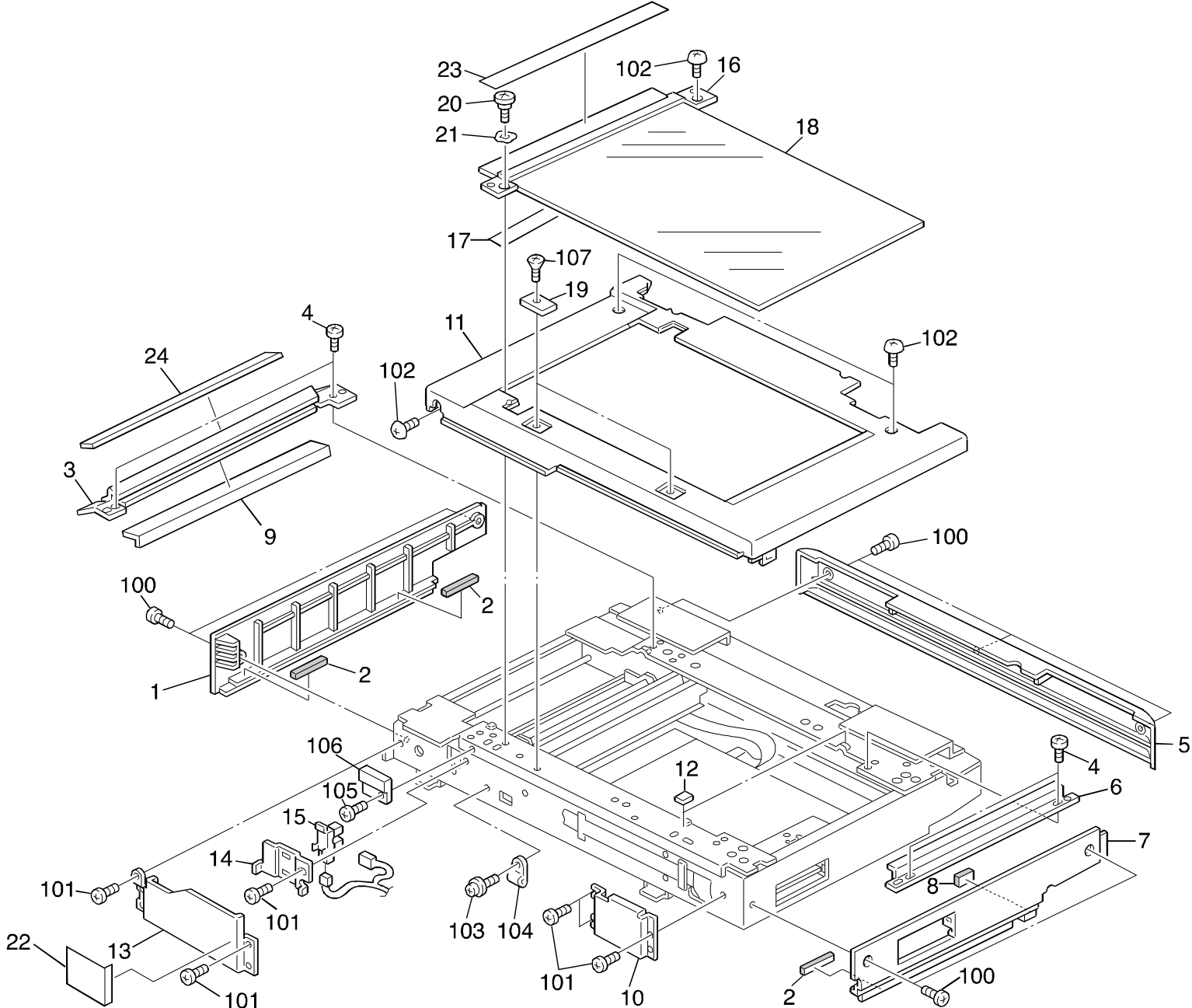


24.DRUM SECTION 5 (C228)

Index No.	Part No.	Description	Q'ty Per Assembly
1	C209 4749	Grounding Plate	1
2	C200 4723	Adjusting Plate - Doctor Roller	2
3	C207 4672	Gear - 36Z	1
4	C207 4670	Gear - 24Z	1
5	C201 4665	Bearing Holder	2
6	C217 4599	Rear Drum Blade	1
7	C209 4662	Rear Side Plate - Ink Roller	1
8	C218 4594	Rear Bank Plate	1
9	C209 4654	Spacer - 16x36x5.7	1
10	C200 4653	Drum Shaft Bracket	2
11	C218 4701	Ink Tube Nipple	1
12	C209 4704	Packing - Ink Tube	1
13	C209 4711	Hose Band	1
14	C218 4703	Ink Tube	1
15	C209 4705	Ink Distributor	1
16	C209 4715	Shaft Stay - Ink Roller	1
17	C203 4543	Ink Detector	1
18	C209 8137	Relay Harness - Ink Detection	1
19	C200 4733	Ink Detector Bracket	1
20	C209 4722	Doctor Roller	1
21	C218 4592	Front Bank Plate	1
22	C209 4666	Ink Roller	1
23	C209 4664	Ink Roller Stay	1
24	C209 4661	Front Side Plate - Ink Roller	1
25	C217 4598	Front Drum Blade	1
26	C200 3629	Gear - 20T	1
27	C200 4748	Gear - 45T	1
28	C209 4712	Spacer	1
29	C209 4713	Hose Band	1
30	C218 4558	Front Doctor Roller Ring	1
31	C218 4560	Ring Spring	2
32	C218 4559	Rear Doctor Roller Ring	1
33	C218 4698	Ink Distributor & Tube Ass'y	1
34	C218 4546	Ink Supply Roller Ass'y	1

Index No.	Part No.	Description	Q'ty Per Assembly
100	0951 4006Z	Philips Screw With Flat Washer - M4	
101	0725 0160E	Retaining Ring C - M16	
102	0807 7114	Washer - 16x24x0.3mm	
103	0314 0080Z	Philips Screw - 4x8	
104	0720 0050Z	Retaining Ring - M5	
105	0594 0060E	Socket Screw - 4X6	
106	0313 0040Z	Philips Pan Head Screw - M3x4	
107	0594 0200E	Hexagon Bolt - M4x20	
108	0575 0080E	Hexagon Headless Set Screw - M5x8	
109	0595 0140E	Hexagon Bolt - M5x14	
110	0573 0040E	Hexagon Headless Set Screw - M3x4	
111	0314 0120Z	Philips Screw - 4x12	
112	1105 0209	Clamp	
113	0434 0082Z	Tapping Screw - M4x8	
114	0314 0060Z	Philips Pan Head Screw - M4x6	
115	0594 0080E	Bolt - M4x8	
116	0951 4008Z	Philips Screw With Flat Washer M4x8	
117	0313 0050Z	Philips Screw - 3x5	

25. SCANNER SECTION 1 (C228)

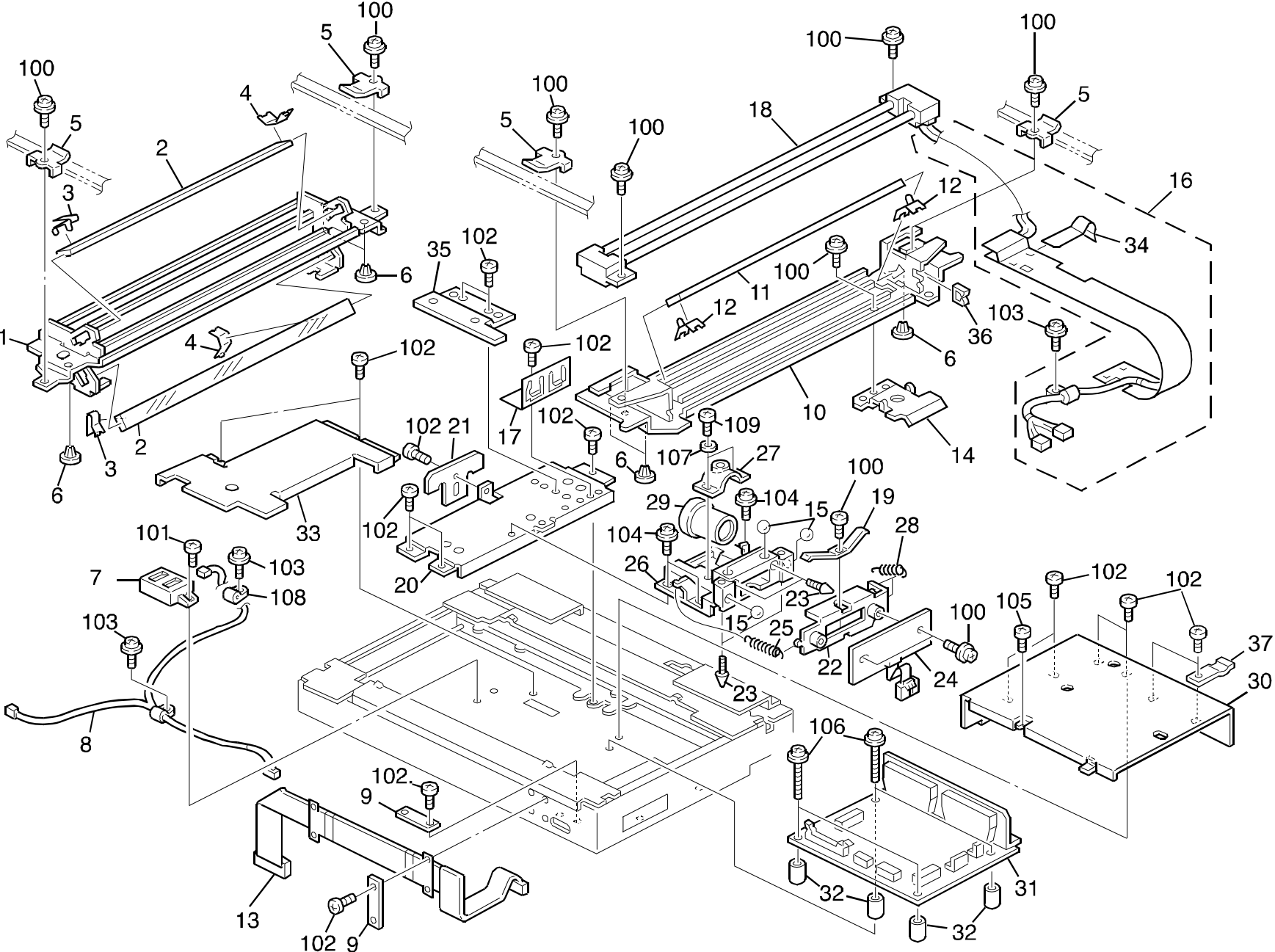


25.SCANNER SECTION 1 (C228)

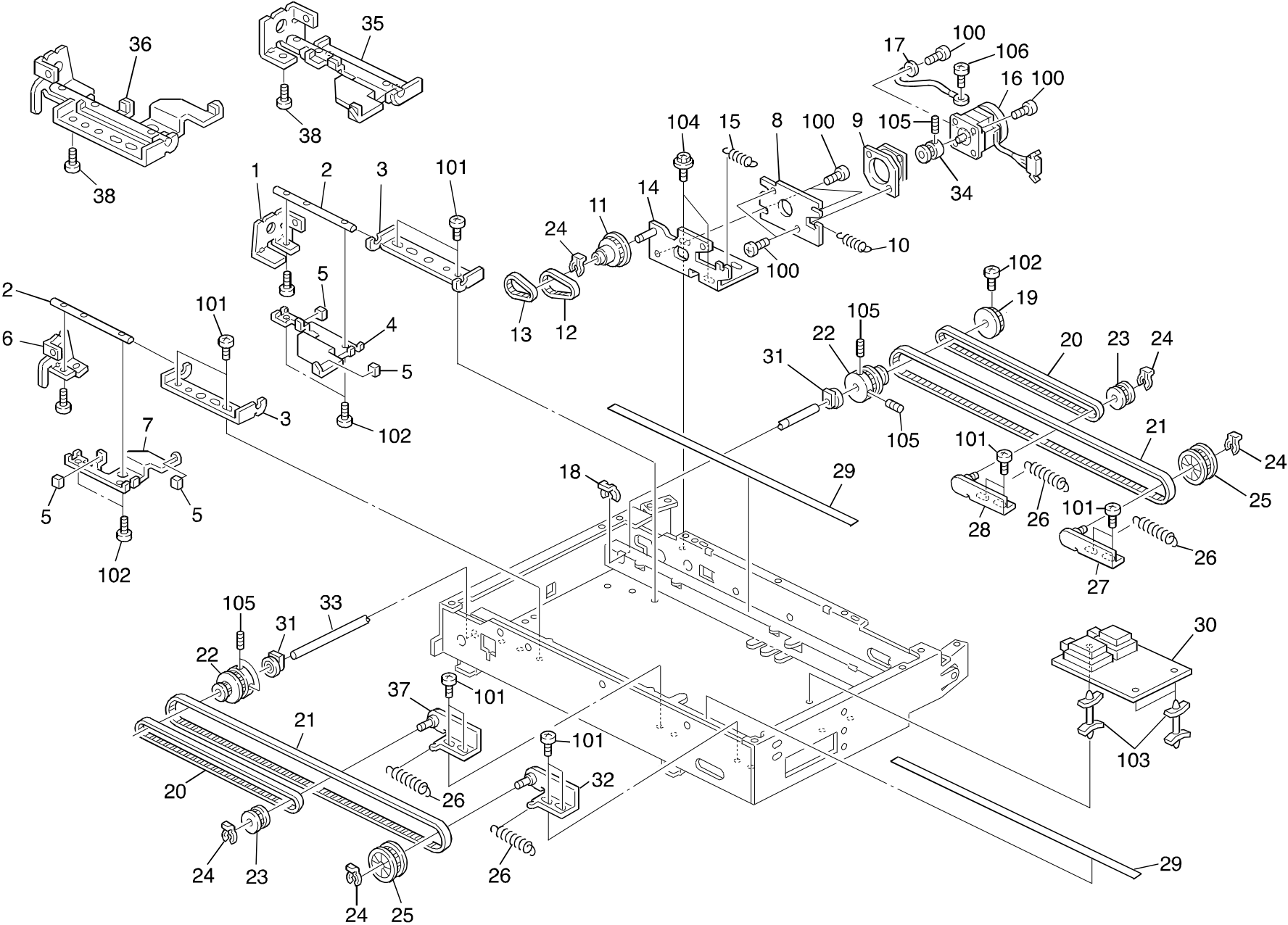
Index No.	Part No.	Description	Q'ty Per Assembly
1	C218 2535	Scanner Left Cover	1
2	C218 2522	Cushion - Large	3
3	C218 3046	Original Exit Guide	1
4	5875 2088	Shoulder Screw - M4	4
5	C218 2560	Scanner Rear Cover	1
6	C218 3041	Right Bracket	1
7	C218 2515	Scanner Right Cover	1
8	C218 2524	Cushion - Small	1
9	C218 3045	Guide Mylar	1
10	C218 3037	Flat Cable Cover	1
11	C218 2500	Scanner Upper Cover	1
12	C218 3171	Seal - 5x30	2
13	C218 3036	H.p Sensor Cover	1
14	C218 3034	H.p Sensor Bracket	1
15	C218 8407	Photointerruptor - GP1A34LC	1
16	C218 3205	Original Scale - A4	1
16	C218 3157	Original Scale - LT	1
17	C222 3170	Exposure Glass Sheet	1
18	C218 3166	Exposure Glass (A4)	1
18	C218 3154	Exposuer Glass (LT)	1
19	C218 3446	Magnet Catch Plate	2
20	C218 2525	Stepped Screw - M4	1
21	C217 5102	Spring Washer	1
22	C218 3018	Seal - 40x131	1
23	C218 2516	Decal - Original Scale - A4	1
23	C218 2820	Decal - Original Size - LT	1
24	C218 3044	Cover Cushion	1

Index No.	Part No.	Description	Q'ty Per Assembly
100	0344 0060D	Philips Truss Head Screw - M4x6	
101	0314 0060Z	Philips Pan Head Screw - M4x6	
102	0344 0060D	Philips Truss Head Screw - M4x6	
103	0960 4006Z	Philips Frang Screw - M4x6	
104	1105 0005	Nylon Clamp - 3n	
105	0313 0060Z	Philips Pan Head Screw - M3x6	
106	1204 2353	Switch - PS3670-02	
107	0324 0060Z	Philips Sunken Head Screw - M4x6	

26. SCANNER SECTION 2 (C228)



27. SCANNER SECTION 3 (C228)

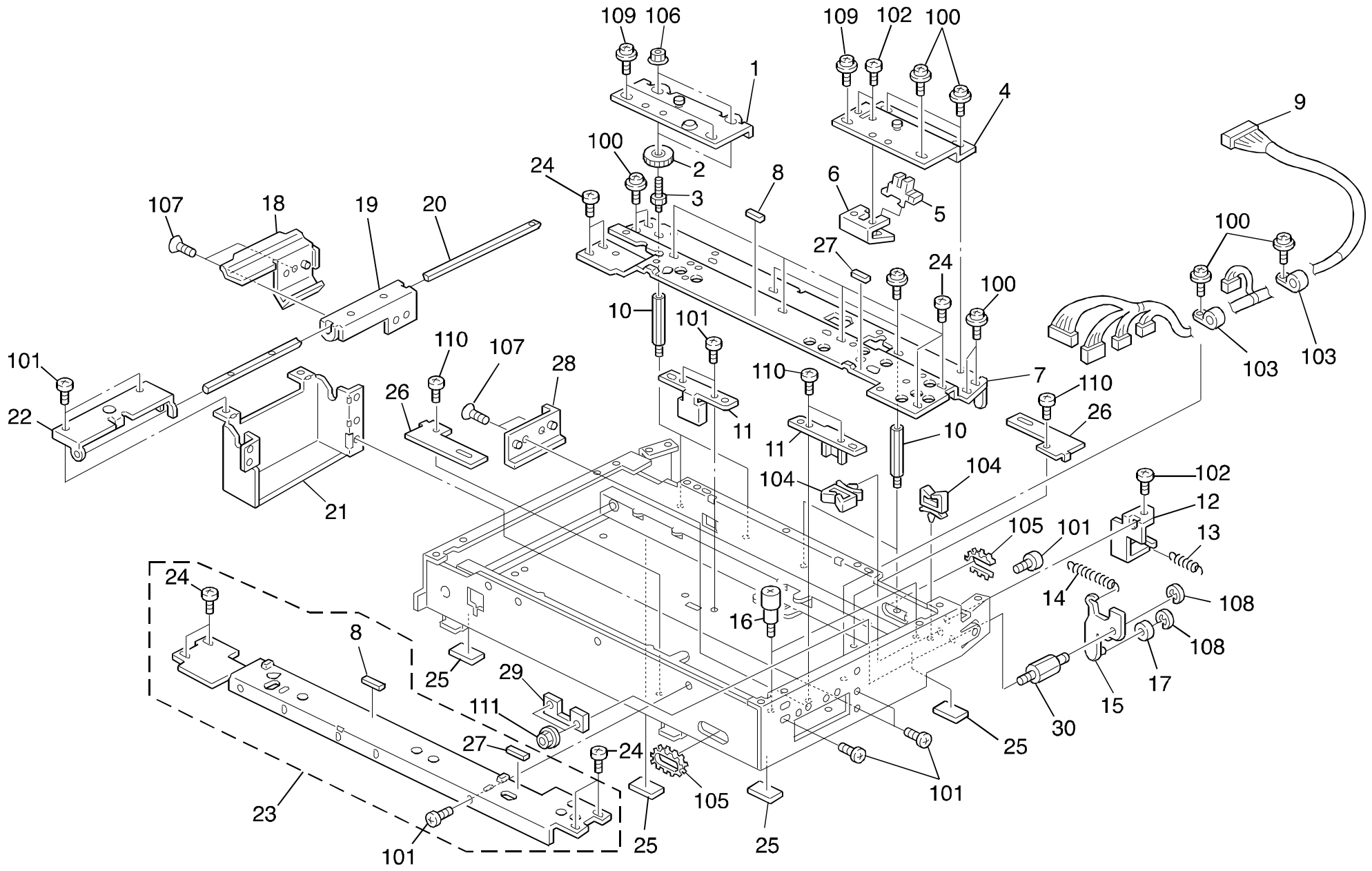


27.SCANNER SECTION 3 (C228)

Index No.	Part No.	Description	Q'ty Per Assembly
1	C218 3060	Rear Fixed Angle	1
2	C218 3057	Fixed Shaft	2
3	C218 3056	Fixed Shaft Bracket	2
4	C218 3053	Arm - Carriage - Fix - Front	1
5	C218 3054	Pad - 5x5	4
6	C218 3055	Front Fixed Angle	1
7	C218 3059	Rear Fixed Arm	1
8	C218 3081	Tension Bracket	1
9	C218 3086	Motor Cushion	1
10	C218 3082	Tension Spring	1
11	C228 3065	Timing Pulley	1
12	C218 3072	Timing Belt - B40S2M160	1
13	C218 3073	Timing Belt - B60S2M126	1
14	C218 3078	Scanner Motor Bracket	1
15	C218 3083	Tension Spring	1
16	C223 8214	Stepping Motor	1
17	C218 8426	Grounding Harness	1
18	C209 3133	Retaining Ring - M6	1
19	C228 3063	Timing Pulley	1
20	C218 3075	Timing Belt - B40S2M800	2
21	C218 3074	Timing Belt - B40S2M1274	2
22	C218 3063	Scanner Drive Pulley	2
23	C218 3069	Timing Pulley - 24Z	2
24	5447 2681	Snap Ring	5
25	C218 3068	Timing Pulley - 48Z	2
26	C218 3094	Tension Spring	4
27	C218 3103	Timing Pulley Bracket - Rear 2	1
28	C218 3096	Timing Pulley Bracket - Rear 1	1
29	C218 3017	Scanner Grip Rail	2
30	C222 8221	Inverter	1
31	C222 3193	Bushing - 8mm	1
32	C218 3099	Timing Pulley Bracket - Front 2	1
33	C218 3090	Scanner Drive Shaft	1
34	C228 3062	Timing Pulley	1
35	C218 3053	Arm - Carriage - Fix - Front	1

Index No.	Part No.	Description	Q'ty Per Assembly
36	C218 3059	Rear Fixed Arm	1
37	C218 3091	Timing Pulley Bracket - Front 1	1
38	C218 3051	Philips Screw - M3	1
100	0314 0080Z	Philips Screw - 4x8	
101	0801 1004	Screw - M4X4	
102	0313 0050Z	Philips Screw - 3x5	
103	1105 0225	Spacer - W Rocking	
104	0804 6074	Hexagon Bolt - M4x8	
105	0573 0040E	Hexagon Headless Set Screw - M3x4	
106	0964 4006Z	Tapping Screw W/flat Washer -m4x6	

28. SCANNER SECTION 4 (C228)

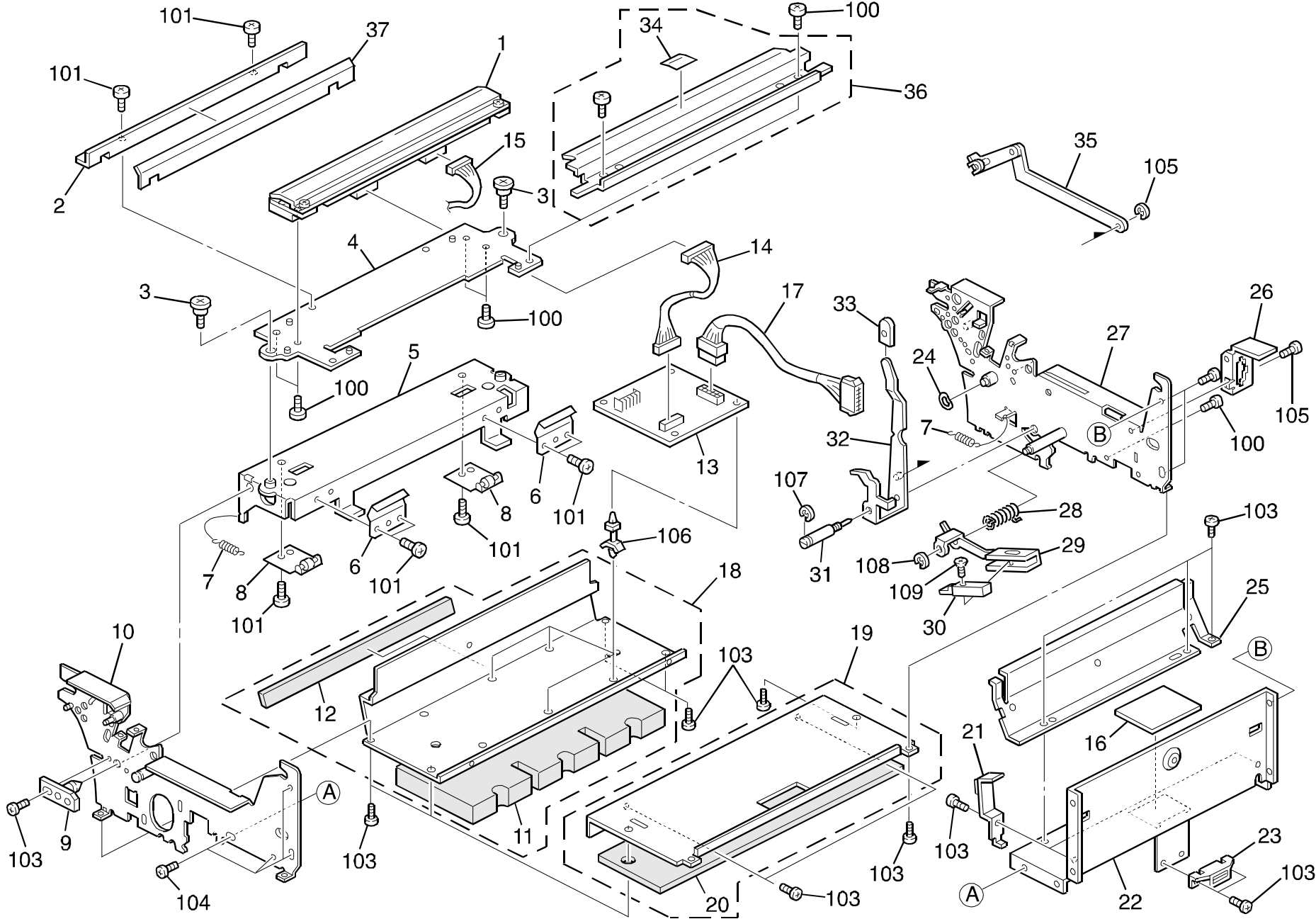


28.SCANNER SECTION 4 (C228)

Index No.	Part No.	Description	Q'ty Per Assembly
*	C228 3259	Scanner Ass'y	1
1	C218 3438	Platen Cover Left Bracket	1
2	C218 3430	Knob Screw	2
3	C218 3431	Platen Cover Shaft	2
4	C218 3426	Platen Cover Right Bracket	1
5	AW02 0021	Photointerruptor - 175487-3	1
6	C218 3434	Sensor Bracket	1
7	C223 3027	Scanner Rear Stay	1
8	C218 3025	Contact Grass Cushion	2
9	C222 8415	Scanner Harness	1
10	C218 3031	Stud	4
11	C223 3014	Scanner Stopper Lever	2
12	C218 3118	Scanner Stopper Bracket	1
13	C218 3117	Stopper Spring 2	1
14	C218 3116	Stopper Spring 1	1
15	C218 3112	Scanner Stopper	1
16	C218 3020	Stopper Pin	2
17	C209 4087	Gide Plate Roller	1
18	C223 3108	Scanner Open Grip	1
19	C223 3109	Grip Bracket	1
20	C218 3111	Scanner Grip Shaft	1
21	C222 3016	Scanner Grip Cover	1
22	C218 3110	Scanner Grip Upper Cover	1
23	C223 3023	Scanner Front Stay	1
24	5875 2088	Shoulder Screw - M4	11
25	C218 3003	Seal - 28x40	4
26	C222 3235	Grounding Plate	2
27	C223 3024	Contact Glass Sheet	2
28	C223 3119	Scanner Open Cover	1
29	C218 3021	Support Plate	1
30	C218 3022	Scanner Stopper Shaft	1

Index No.	Part No.	Description	Q'ty Per Assembly
100	0960 4008Z	Flange Head Screw - 4 X 8	
101	0314 0060Z	Philips Pan Head Screw - M4x6	
102	0313 0060Z	Philips Pan Head Screw - M3x6	
103	1105 0011	Nylon Clamp - 8n	
104	1105 0144	Harness Clamp	
105	1106 0103	Universal Bushing	
106	0713 0040B	Hexagon Nut - M4	
107	0324 0060Z	Philips Sunken Head Screw - M4x6	
108	0720 0030Z	Retaining Ring - M3	
109	0960 4008W	Philips Flange Screw - M4x8	
110	0801 1004	Screw - M4X4	
111	0713 0050B	Hexagon Nut - M5	

29.PLOTTER SECTION 1 (C228)

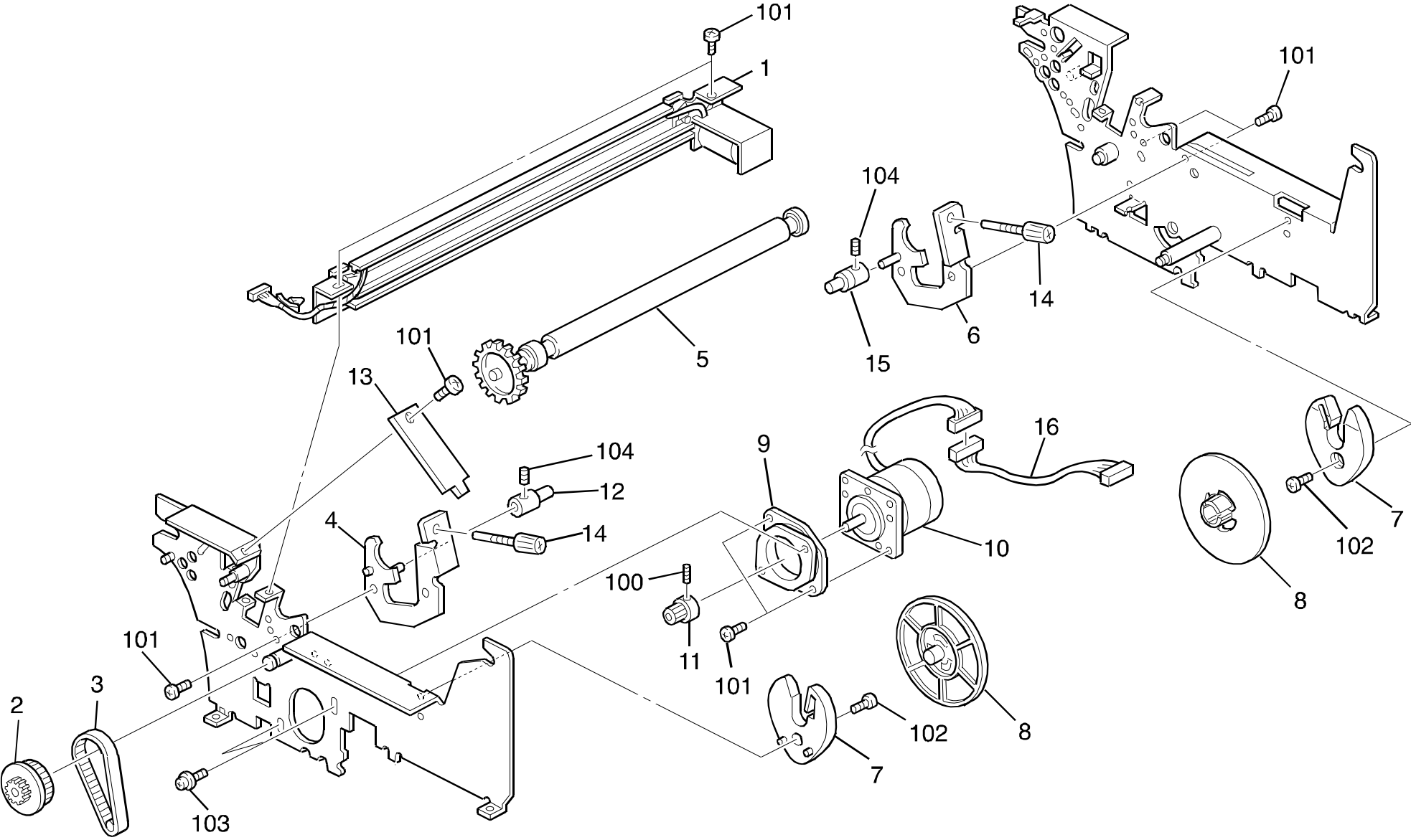


29.PLOTTER SECTION 1 (C228)

Index No.	Part No.	Description	Q'ty Per Assembly
*	C228 1009	Imaging Unit Ass'y	1
1	C228 8037	Thermal Head - A3	1
2	C228 4392	Front Bracket - Thermal Head	1
3	C209 4180	Thermal Head Spacer	2
4	C228 4039	Spacer:thermal Head	1
5	C228 4030	Stay:thermal Head:ass'y	1
6	C209 4139	Spring Plate	2
7	C228 4034	Spring:thermal Head	2
8	C218 4136	Spring Plate	2
9	C223 4040	Left Adjusting Plate	1
10	C228 4002	Plotter Left Side Plate	1
11	C223 2599	Plotter Base Pad - Large	1
12	C209 2585	Plotter Base Pad - Small	1
13	C228 8301	DC/DC Converter	1
14	C228 8164	Thermal Head Harness - 2	1
15	C228 8163	Thermal Head Harness - 1	1
16	C219 4023	Seal	1
17	C219 8146	Harness Head Power	1
18	C223 4133	Plotter Base	1
19	C223 2586	Lower Plotter Cover	1
20	C223 2587	Plotter Cover Pad	1
21	C203 4013	Brake Plate	1
22	C228 4021	Holder Master	1
23	5054 0536	Magnet Catch Ass'y	1
24	C218 4038	Bushing Washer - M8	1
25	C228 4050	Thermal Head Cover	1
26	C218 4126	Right Connector Bracket	1
27	C228 4013	Plotter Right Side Plate	1
28	C200 4116	Sensor Spring	1
29	C209 4027	Master End Sensor Bracket	1
30	5203 5230	Master Sensor	1
31	C209 4063	Lever Shaft	1
32	C218 4060	Platen Release Lever	1
33	C209 4059	Lever Knob	1
34	C218 2827	Decal - Master Feed	1

Index No.	Part No.	Description	Q'ty Per Assembly
35	C209 4076	Tension Release Arm	1
36	C228 4054	Thermal Head Cover	1
37	C228 4056	Thermal Head Guide	1
100	0313 0060Z	Philips Pan Head Screw - M3x6	
101	0313 0030Z	Philips Pan Head Screw - M3x3	
102	0313 0030Z	Philips Pan Head Screw - M3x3	
103	0314 0060Z	Philips Pan Head Screw - M4x6	
104	0434 0080Z	Pan Head Self-tapping Screw - M4x8	
105	0434 0060Z	Pan Head Self-tapping Screw - M4x6	
106	1105 0193	Nylon Stud	
107	0720 0070Z	Retaining Ring - M7	
108	0720 0040Z	Retaining Ring - M4	
109	0323 0100Z	Philips Sunken Head Screw - M3x10	

30.PLOTTER SECTION 2 (C228)

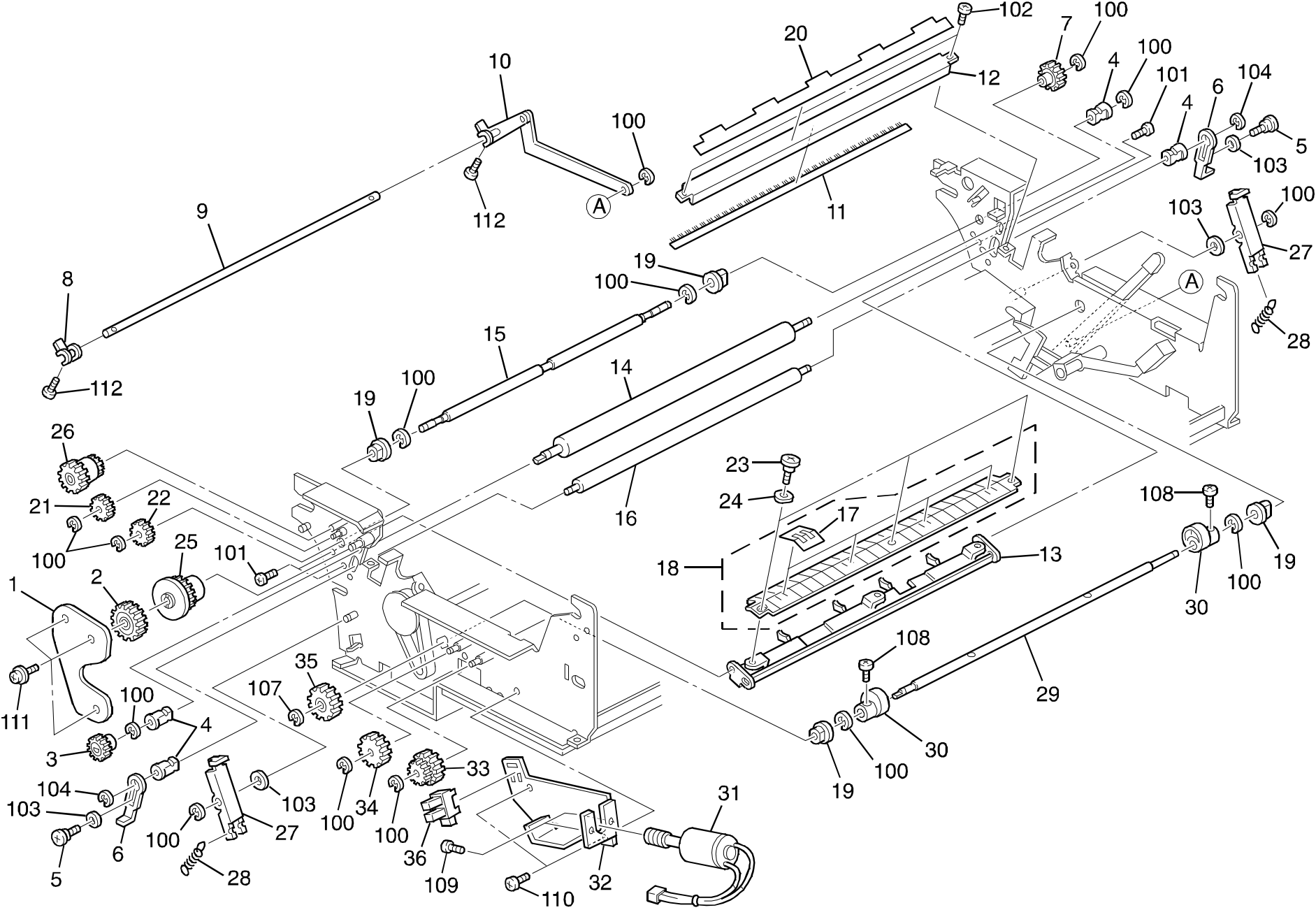


30.PLOTTER SECTION 2 (C228)

Index No.	Part No.	Description	Q'ty Per Assembly
1	C228 4065	Cutter Unit	1
2	C228 4111	Pulley - 38	1
3	C228 4112	Timing Belt - B114MXI9.5	1
4	C228 4179	Left Holder - Platen Cover	1
5	C228 4040	Platen Roller	1
6	C228 4184	Right Holder - Platen Cover	1
7	C228 4025	Mater Roller Holder	2
8	C213 4042	Master Roll Flange	2
9	C228 4120	Cushion:motor:plotter	1
10	C222 8216	Stepper Motor - DC2.85V 4.28W	1
11	C219 4071	Gear - 17Z	1
12	C228 4175	Left Positioning Pin - Thermal Head	1
13	C221 4070	Gear Cover	1
14	C207 4150	Fixing Screw	2
15	C228 4176	Right Positioning Pin - Thermal Head	1
16	C228 8129	Motor Relay Harness	1

Index No.	Part No.	Description	Q'ty Per Assembly
100	0574 0040E	Hexagon Headless Set Screw - M4x4	
101	0314 0060Z	Philips Pan Head Screw - M4x6	
102	0434 0080Z	Pan Head Self-tapping Screw - M4x8	
103	0951 4006Z	Philips Screw With Flat Washer - M4	
104	0573 0030E	Hexagon Headless Set Screw - M3x3	

31.PLOTTER SECTION 3 (C228)

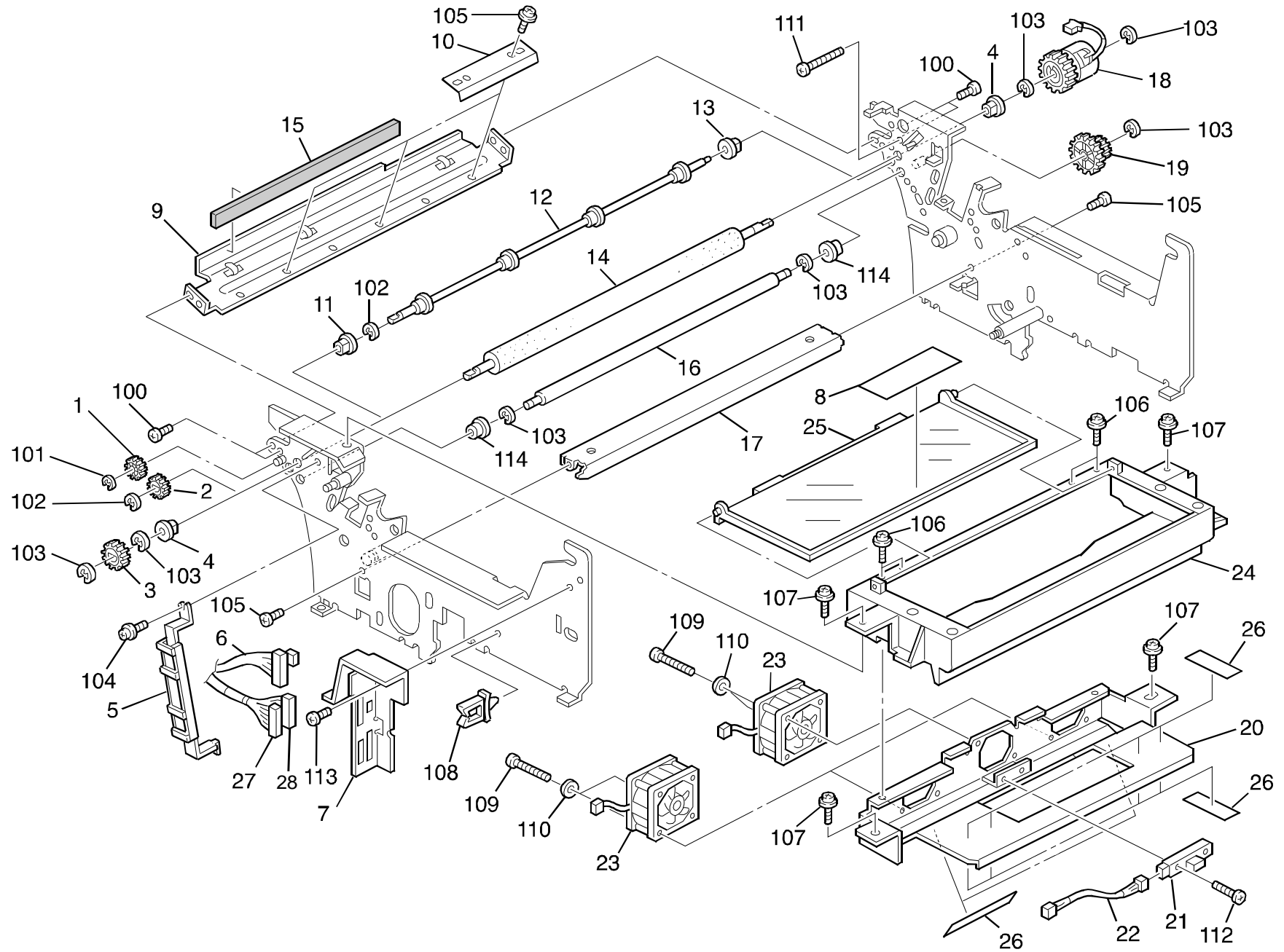


31.PLOTTER SECTION 3 (C228)

Index No.	Part No.	Description	Q'ty Per Assembly
1	C228 4118	Supporting Plate:drive Sub-unit:plo	1
2	C228 4116	Gear:middle:plotter	1
3	C228 4069	Gear:roller:tension:plotter	1
4	5056 0188	Bushing - 6mm - Long	4
5	5403 2075	Stepped Screw	2
6	C203 4060	Tension Release Slider	2
7	C209 4072	Gear - 24Z	1
8	C209 4075	Left Arm - Tension Release	1
9	C209 4082	Tension Release Shaft	1
10	C209 4076	Tension Release Arm	1
11	C209 4320	Antistatic Brush	1
12	C223 4068	Front Guide Plate	1
13	C228 4091	Reverse Guide	1
14	C228 4073	Upper Master Feed Roller	1
15	C228 4300	Counter Roller	1
16	C209 4074	Lower Master Feed Roller	1
17	C228 4038	Mater Guide Sheet - Large	4
18	C228 4088	Lower Guide Plate Ass'y	1
19	H012 1181	Bushing- 6mm	2
20	C228 4057	Tension Roller Guide Mylar	1
21	C228 4314	Idle Gear	1
22	C228 4305	Drive Gear	1
23	C218 2525	Stepped Screw - M4	3
24	C217 5102	Spring Washer	3
25	C228 4115	Torque Limiter	1
26	C228 4313	Middle Roller Gear	1
27	C228 4024	Tension Bracket	2
28	C228 4107	Tension Spring	2
29	C228 4083	Pressure Release Shaft	1
30	C228 4080	Pressure Release Cam	2
31	C217 8447	DC Motor - 24V/7.2W	1
32	C228 4085	Motor Bracket	1
33	C228 4082	Worm Wheel	1
34	C228 4081	Idle Gear	1
35	C228 4084	Drive Gear	1

Index No.	Part No.	Description	Q'ty Per Assembly
36	AW02 0021	Photointerruptor - 175487-3	1
100	0720 0040Z	Retaining Ring - M4	
101	0313 0060Z	Philips Pan Head Screw - M3x6	
102	0312 5050Z	Philips Pan Head Screw - M2.5x5	
103	0701 0060Z	Flat Washer - M6	
104	0720 0050Z	Retaining Ring - M5	
106	0720 0040Z	Retaining Ring - M4	
107	0720 0040Z	Retaining Ring - M4	
108	0951 3005Z	Philips Pan Head Screw - M3 X 5	
109	0313 0030Z	Philips Pan Head Screw - M3x3	
110	0314 0060Z	Philips Pan Head Screw - M4x6	
111	0960 3006Z	Philips Flange Screw - M3x6	
112	0313 0050Z	Philips Screw - 3x5	

32.PLOTTER SECTION 4 (C228)

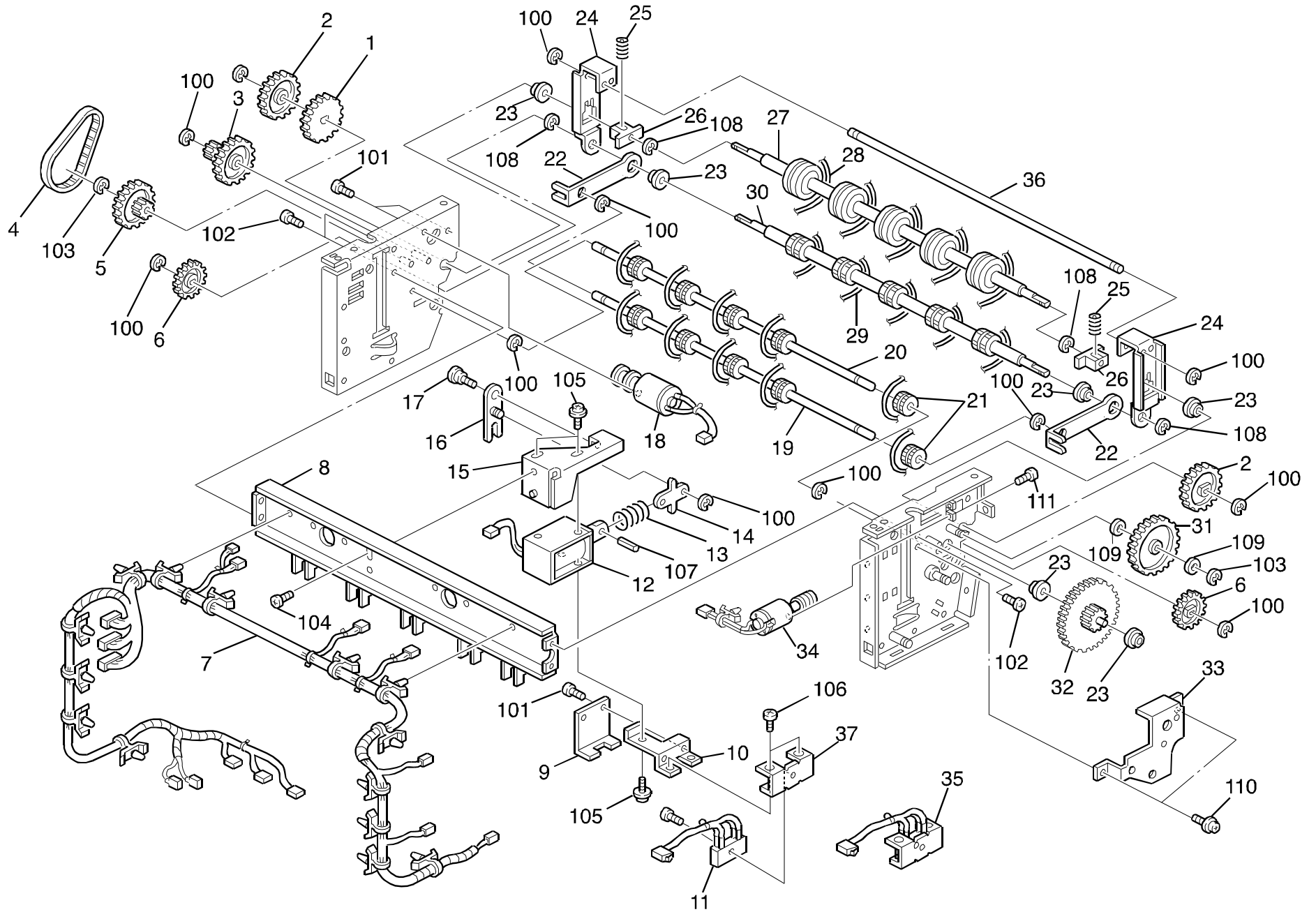


32.PLOTTER SECTION 4 (C228)

Index No.	Part No.	Description	Q'ty Per Assembly
1	C200 2338	Gear - 20T	1
2	C209 4305	Gear - 16Z	1
3	C209 4303	Gear -27z	1
4	5053 0447	Bushing - 6mm	2
5	C209 4128	Harness Bracket	1
6	C228 8128	Imaging Unit Harness	1
7	C228 4125	Left Connector Bracket	1
8	C222 2553	Caution Decal - Master Set	1
9	C228 4306	Invertor Guide Stay	1
10	C228 4311	Reverse Guide Plate	1
11	5324 1658	Bushing- 4x8x4.5mm	1
12	C209 4300	Counter Roller	1
13	H002 2226	Bushing	1
14	C228 4100	Upper Reverse Roller	1
15	C228 4309	Vacuum Fan Pad	1
15	H012 1181	Bushing- 6mm	1
16	C228 4105	Lower Reverse Roller	1
17	C209 4019	Plotter Middle Stay	1
18	C209 8239	Reverse Roller - Magnetic Clutch	1
19	C209 4114	Gear - 20/27Z	1
20	C228 4340	Duct Support Plate	1
21	C203 8137	Master Sensor	1
22	C222 8129	Sensor Relay Harness	1
23	C222 8208	Air Knife Motor	1
24	C223 4311	Duct Stay	1
25	C222 4336	Duct Cover	1
26	C228 4338	Shield Mylar	2
27	C228 8129	Thermal Head Drive Harness	1
28	C228 8163	Thermal Head Harness	1

Index No.	Part No.	Description	Q'ty Per Assembly
100	0313 0060Z	Philips Pan Head Screw - M3x6	
101	0720 0020Z	Retaining Ring - M2	
102	0720 0025Z	Retaining Ring - M2.5	
103	0720 0040Z	Retaining Ring - M4	
104	0964 4008Z	Tapping Screw W/washer - M4x8	
105	0313 0050Z	Philips Screw - 3x5	
106	0951 3008Z	Philips Screw With Flat Washer - M3x8	
107	0951 4006Z	Philips Screw With Flat Washer - M4	
108	1105 0413	Harness Clamp	
109	0313 0350Z	Pan Head Screw - M3x35	
110	0701 0030Z	Flat Washer - M3	
111	0313 0140Z	Philips Pan Head Screw - M3x14	
112	0313 0080Z	Philips Screw - 3x8	
113	0434 0060Z	Pan Head Self-tapping Screw - M4x6	
114	0741 3706	Ball Bearing - 6x10x3	

33.MASTER EJECT SECTION 1 (C228)

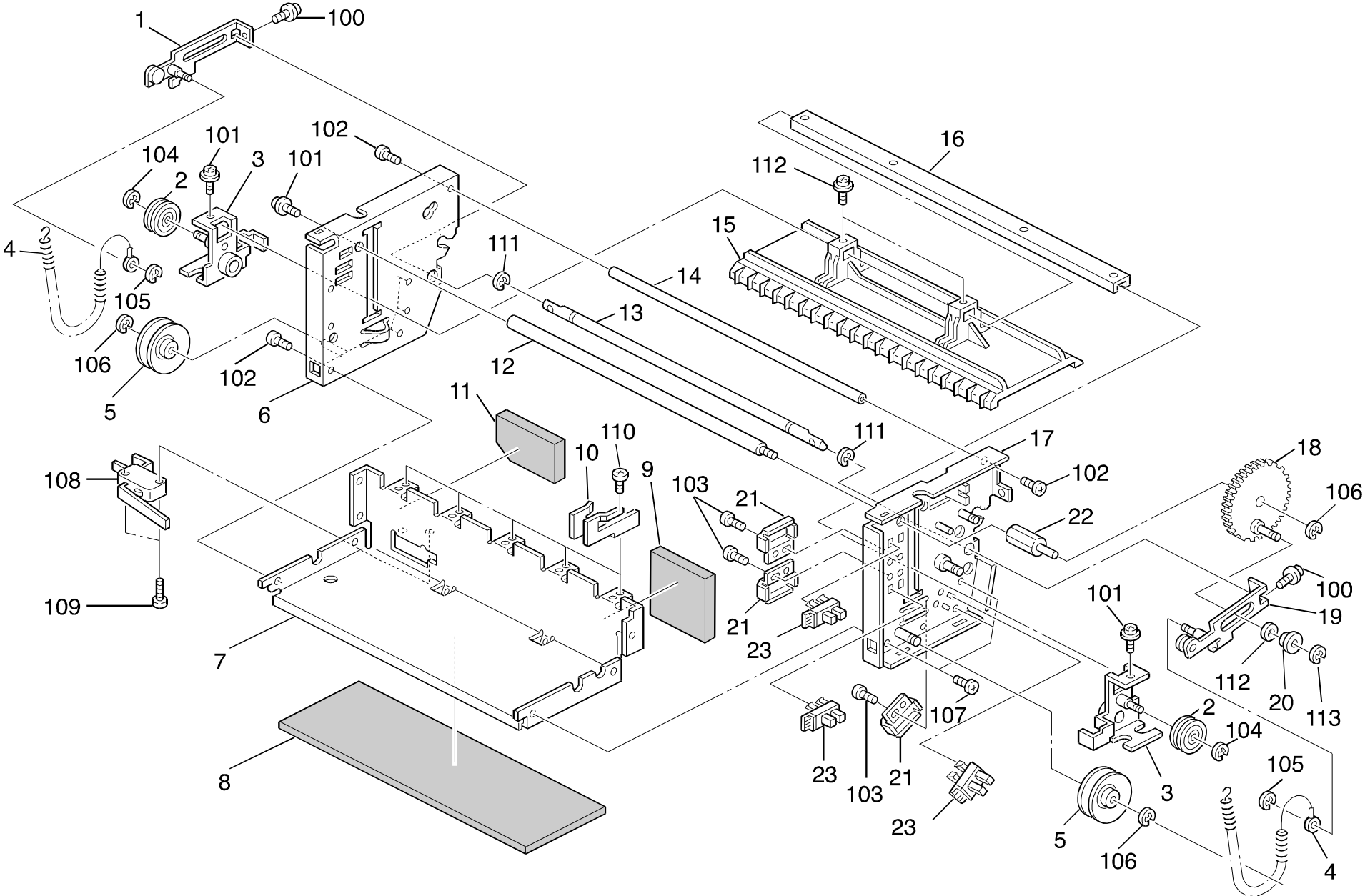


33.MASTER EJECT SECTION 1 (C228)

Index No.	Part No.	Description	Q'ty Per Assembly
*	C228 1011	Master Eject Unit	1
1	C209 3545	Gear - 62Z	1
2	C200 3627	Gear - 30T	2
3	C200 3606	Coupled Gear - 62t & 20t	1
4	C207 3612	Timing Belt - B30S2M126	1
5	C207 3604	Pulley - 40Z	1
6	C200 3628	Gear - 20T	2
7	C223 8122	Master Exit Harness	1
8	C209 3516	Master Eject Stay	1
9	C209 3530	Sensor Cover - Master Eject	1
10	C209 3529	Sensor Bracket - Master Eject	1
11	C209 8117	Drum Master Detection Sensor	1
12	C224 8452	Master Eject Solenoid	1
13	C207 6125	Guide Plate Spring	1
14	C209 3661	Solenoid Plate	1
15	C200 3553	Solenoid Bracket	1
16	C200 3554	Solenoid Arm	1
17	5403 2075	Stepped Screw	1
18	C209 8260	Micro Motor - Master Eject	1
19	C201 3529	Lower Pulley Shaft	1
20	C207 3530	Upper Pulley Shaft	1
21	C200 3547	Pulley	10
22	C200 3529	Pulley Plate	2
23	5506 4608	Bushing - Paper Hold/down Roller -	6
24	C221 3519	Roller Arm	2
25	C201 3527	Pressure Spring	2
26	C209 3520	Separation Roller Bushing	2
27	C209 3522	1st Upper Eject Roller	1
28	C219 3605	Upper Belt	5
29	C219 3606	Lower Belt	5
30	C228 3524	1st Lower Eject Roller	1
31	C209 3550	Worm Gear - 16/50z	1
32	C209 3551	Gear - 16/116Z	1
33	C209 3557	Bracket	1
34	C217 8447	DC Motor - 24V/7.2W	1

Index No.	Part No.	Description	Q'ty Per Assembly
35	C209 3561	Master Eject Sensor	1
36	C209 3521	Arm Connecting Shaft	1
37	C213 3561	Master Eject Sensor Bracket	1
100	0720 0040Z	Retaining Ring - M4	
101	0313 0030Z	Philips Pan Head Screw - M3x3	
102	0434 0060Z	Pan Head Self-tapping Screw - M4x6	
103	0720 0030Z	Retaining Ring - M3	
104	0314 0050Z	Philips Pan Head Screw - M4x5	
105	0951 3006Z	Philips Screw With Flat Washer - M3x6	
106	0313 0050Z	Philips Screw - 3x5	
107	0623 0120E	Spring Pin - 3X12	
108	0720 0050Z	Retaining Ring - M5	
109	0807 3041	Spring Washer	
110	0964 4008Z	Tapping Screw W/washer - M4x8	
111	0313 0030Z	Philips Pan Head Screw - M3x3	

34.MASTER EJECT SECTION 2 (C228)

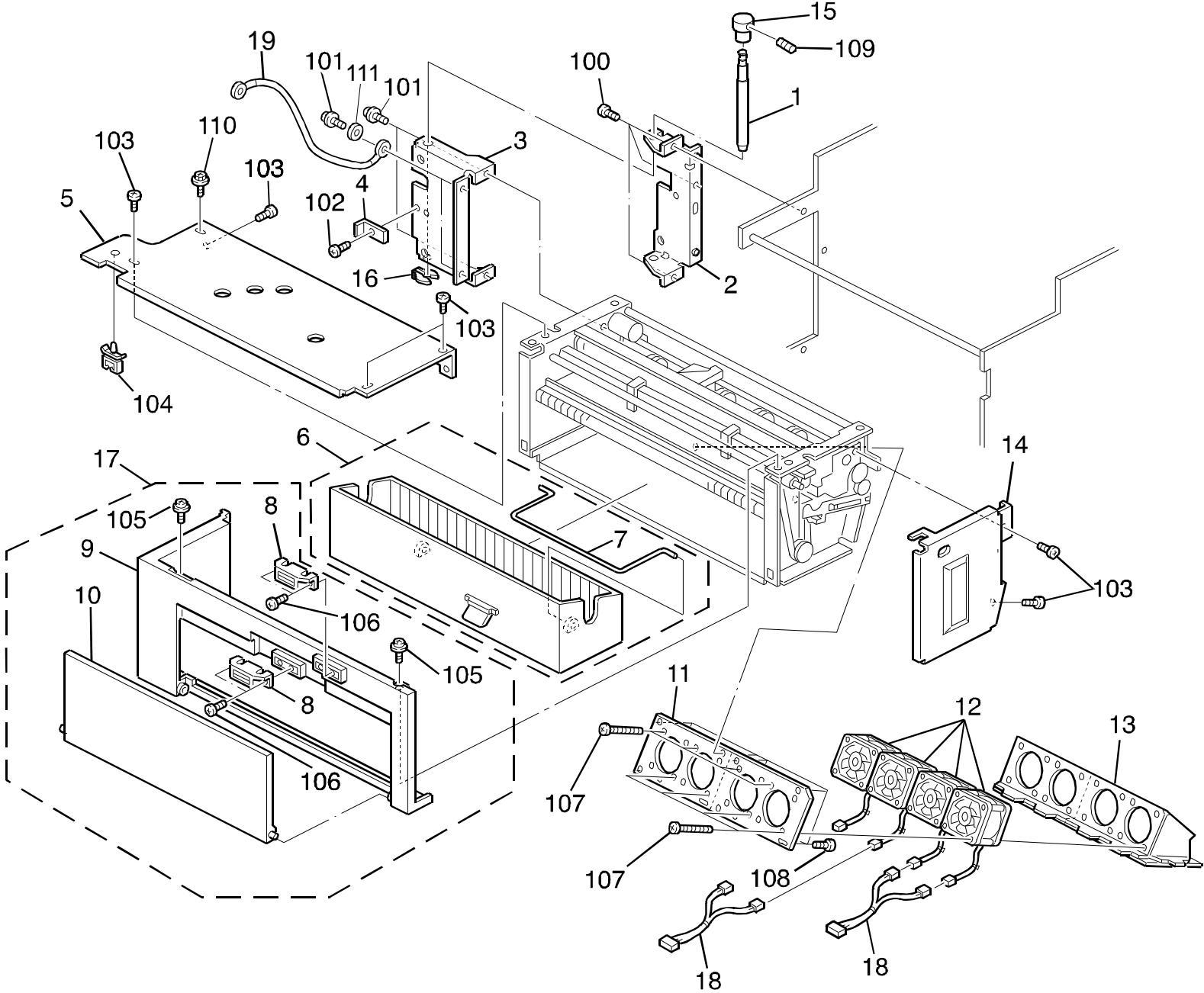


34.MASTER EJECT SECTION 2 (C228)

Index No.	Part No.	Description	Q'ty Per Assembly
1	C209 3543	Rear Pressure Arm	1
2	C209 3536	Pulley	2
3	C227 3533	Pressure Plate Arm	2
4	C221 3537	Pressure Spring	2
5	C200 3712	Pulley	2
6	C209 3512	Rear Side Plate	1
7	C209 3526	Bottom Plate - Master Eject Box	1
8	C209 2579	Lower Pad - Master Eject Box	1
9	C209 2581	Left Pad - Master Eject Box	1
10	C218 3532	Pulley Guide	5
11	C209 2580	Right Pad - Master Eject Box	1
12	C209 3642	Master Eject Stay - Large	1
13	C209 3539	Pressure Arm Shaft	1
14	C200 3508	Master Eject Stay - Small	1
15	C209 3531	Pressure Plate	1
16	C209 3532	Pressure Plate Shaft	1
17	C209 3501	Front Side Plate	1
18	C209 3554	Gear - 60Z	1
19	C209 3540	Front Pressure Arm	1
20	C209 3615	Spacer - 6x12x3	1
21	C209 3507	Master Eject Sensor Cover	3
22	C209 3643	Lock Stay	1
23	AW02 0075	Photointerrupter	3

Index No.	Part No.	Description	Q'ty Per Assembly
100	0964 4010Z	Tapping Screw W/Washer - M4x10	
101	0960 4005Z	Philips Flange Screw - M4x5	
102	0314 0080Z	Philips Screw - 4x8	
103	0433 0060W	Tapping Screw - M3x6	
104	0720 0040Z	Retaining Ring - M4	
105	0720 0030Z	Retaining Ring - M3	
106	0720 0060Z	Retaining Ring - M6	
107	0434 0060Z	Pan Head Self-tapping Screw - M4x6	
108	1204 1490	Micro Switch - V-53-1A3	
109	0313 0140Z	Philips Pan Head Screw - M3x14	
110	0314 0060Z	Philips Pan Head Screw - M4x6	
111	0720 0080Z	Retaining Ring - M8	
112	0807 4118	Flat Washer	
113	0720 0050Z	Retaining Ring - M5	

35.MASTER EJECT SECTION 3 (C228)

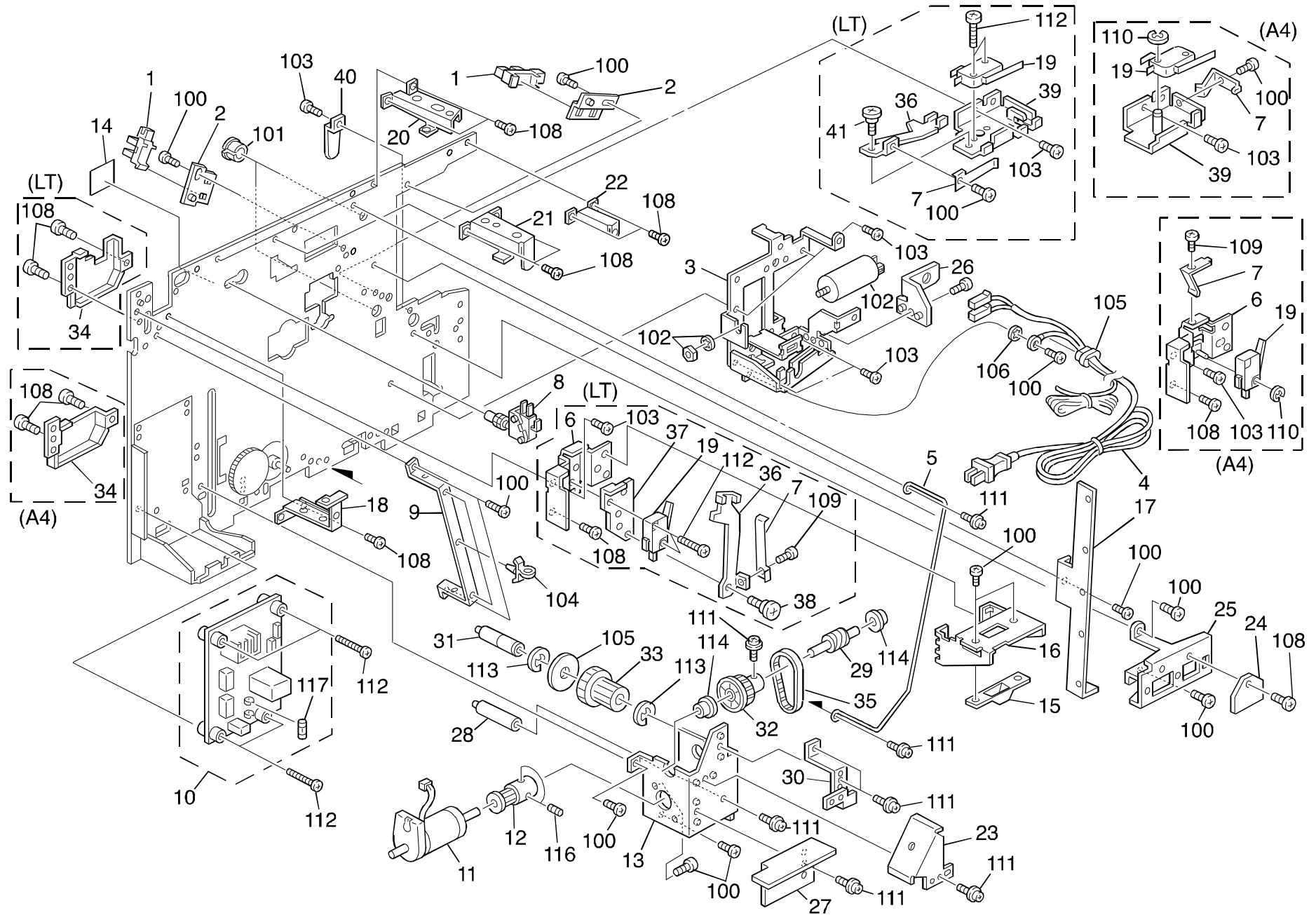


35.MASTER EJECT SECTION 3 (C228)

Index No.	Part No.	Description	Q'ty Per Assembly
1	C218 3505	Hinge Shaft	1
2	C209 3671	Master Eject Hinge	1
3	C219 3680	Master Eject Hinge - Small	1
4	C209 3675	Cover Bracket	1
5	C219 3768	Upper Inner Cover	1
6	C209 3558	Master Eject Box	1
7	C203 3511	Arm - Master Eject Box	1
8	AG07 0004	Magnetic Catch	2
9	C218 2460	Master Eject Cover	1
10	C218 2455	Master Eject Door	1
11	C228 3574	Blower Fan Bracket	1
12	C222 8208	Air Knife Motor	1
13	C228 3581	Blower Duct	1
14	C219 3673	Inner Cover - Master Eject	1
15	C218 3506	Boss	1
16	C209 3133	Retaining Ring - M6	1
17	C219 2454	Master Eject Cover	1
18	C228 8123	Harness:gate:master Ejection Unit	2
19	C203 8204	Grounding Wire	1

Index No.	Part No.	Description	Q'ty Per Assembly
100	0434 0080Z	Pan Head Self-tapping Screw - M4x8	
101	0964 4010Z	Tapping Screw W/Washer - M4x10	
102	0314 0080Z	Philips Screw - 4x8	
103	0434 0060Z	Pan Head Self-tapping Screw - M4x6	
104	1105 0108	Nylon Clip	
105	0965 3006Z	Tapping Screw With Flat Washer - M3x6	
106	0434 0062W	Pan Head Tapping Screw - M4x6	
107	0313 0350Z	Pan Head Screw - M3x35	
108	0314 0060Z	Philips Pan Head Screw - M4x6	
109	0574 0040E	Hexagon Headless Set Screw - M4x4	
110	0444 0080W	Hexagon Head Tapping Screw - M4x8	
111	0705 0040B	Toothed Washer	

36.ELECTRICAL SECTION 1 (C228)

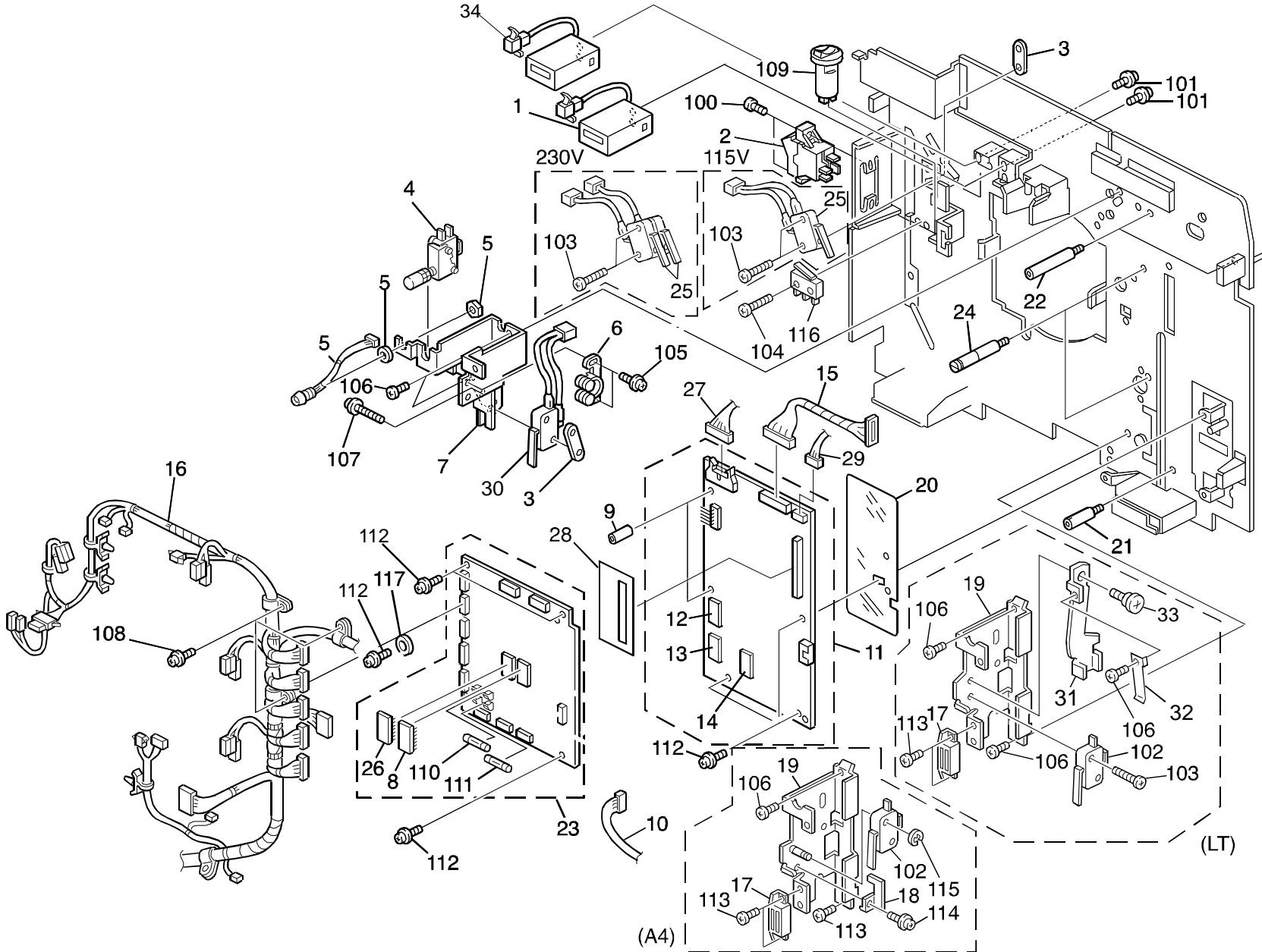


36.ELECTRICAL SECTION 1 (C228)

Index No.	Part No.	Description	Q'ty Per Assembly
1	AW02 0021	Photointerruptor - 175487-3	2
2	C209 2306	Drum Sensor Bracket	2
3	C219 2104	Right Grip - Master Eject	1
4	C218 8252	Power Supply Cord - 230V	1
4	C223 8242	Power Supply Cord - 115V	1
5	C203 8095	Upper Harness Supporter	1
6	C221 2004	Switch Bracket (A4)	1
6	C218 2070	Safety Switch Bracket - LT	1
7	C200 3123	Support Plate - Safety Switch (A4)	1
7	C218 2173	Support Plate - Safety Switch (LT)	1
8	C219 8174	Microswitch	1
9	C209 2169	Harness Bracket	1
10	C223 8064	AC Drive Board - 230V	1
10	C223 8058	AC Drive Board - 120V	1
11	C224 8213	DC Motor	1
12	C223 5097	Worm Wheel	1
13	C223 5093	Lift Motor Bracket	1
14	C203 2759	Master Cutter Decal	1
15	C222 2020	Scanner Stopper	1
16	C218 2015	Rear Scanner Stopper Bracket	1
17	C209 2130	Safety Cover	1
18	C218 2022	Rear Cover Left Bracket	1
19	C219 8296	Safety Switch	1
20	C218 2014	Rear Left Upper Bracket	1
21	C218 2013	Rear Center Upper Bracket	1
22	C218 2012	Rear Right Upper Bracket	1
23	C223 5092	Lifting Gear Cover	1
24	C221 2124	Cap	1
25	C221 2128	Support Bracket	1
26	C221 6115	Delivery Table Bracket	1
27	C223 5090	Motor Bracket	1
28	C223 5091	Gear Shaft	1
29	C223 5095	Worm Wheel	1
30	C223 5098	Support Gear Bracket	1
31	C223 5099	Worm Gear Shaft	1

Index No.	Part No.	Description	Q'ty Per Assembly
32	C223 5126	Timing Pulley	1
33	AB03 0216	Pulley - 15Z	1
34	C218 2072	Safety Switch Cover - LT	1
34	C221 2028	Switch Cover Bracket (A4)	1
35	C218 3073	Timing Belt - B60S2M126	1
36	C218 2172	Safety Switch Lever - LT	2
37	C218 2071	Safety Switch Stopper - LT	1
38	C201 5125	Shoulder Screw - M4	1
39	C218 2171	Safety Switch Bracket - Eject Box (115V)	1
39	C210 2171	Safety Switch Bracket - Eject Box (230V)	1
40	C203 2128	AC Drive Board Cover	1
41	C217 4426	Shoulder Screw	1
100	0314 0080Z	Philips Screw - 4x8	
101	1106 0430	Bushing - 13mm	
102	1602 0991	Noise Filter - 115V	
102	1607 0742	Noise Filter - 230V	
103	0434 0080Z	Pan Head Self-tapping Screw - M4x8	
104	1105 0046	Harness Band	
105	0807 7064	Spacer	
106	0705 0040B	Toothed Washer	
108	0314 0060Z	Philips Pan Head Screw - M4x6	
109	0313 0060Z	Philips Pan Head Screw - M3x6	
110	0720 0020Z	Retaining Ring - M2	
111	0960 4008Z	Flange Head Screw - 4 X 8	
112	0314 0160Z	Philips Pan Head Screw - M4x16	
113	0720 0120Z	Retaining Ring - M12	
114	0741 3706	Ball Bearing - 6x10x3	
116	0574 0040E	Hexagon Headless Set Screw - M4x4	
117	1107 0354	Fuse - 3.15a 125v	

37.ELECTRICAL SECTION 2 (C228)

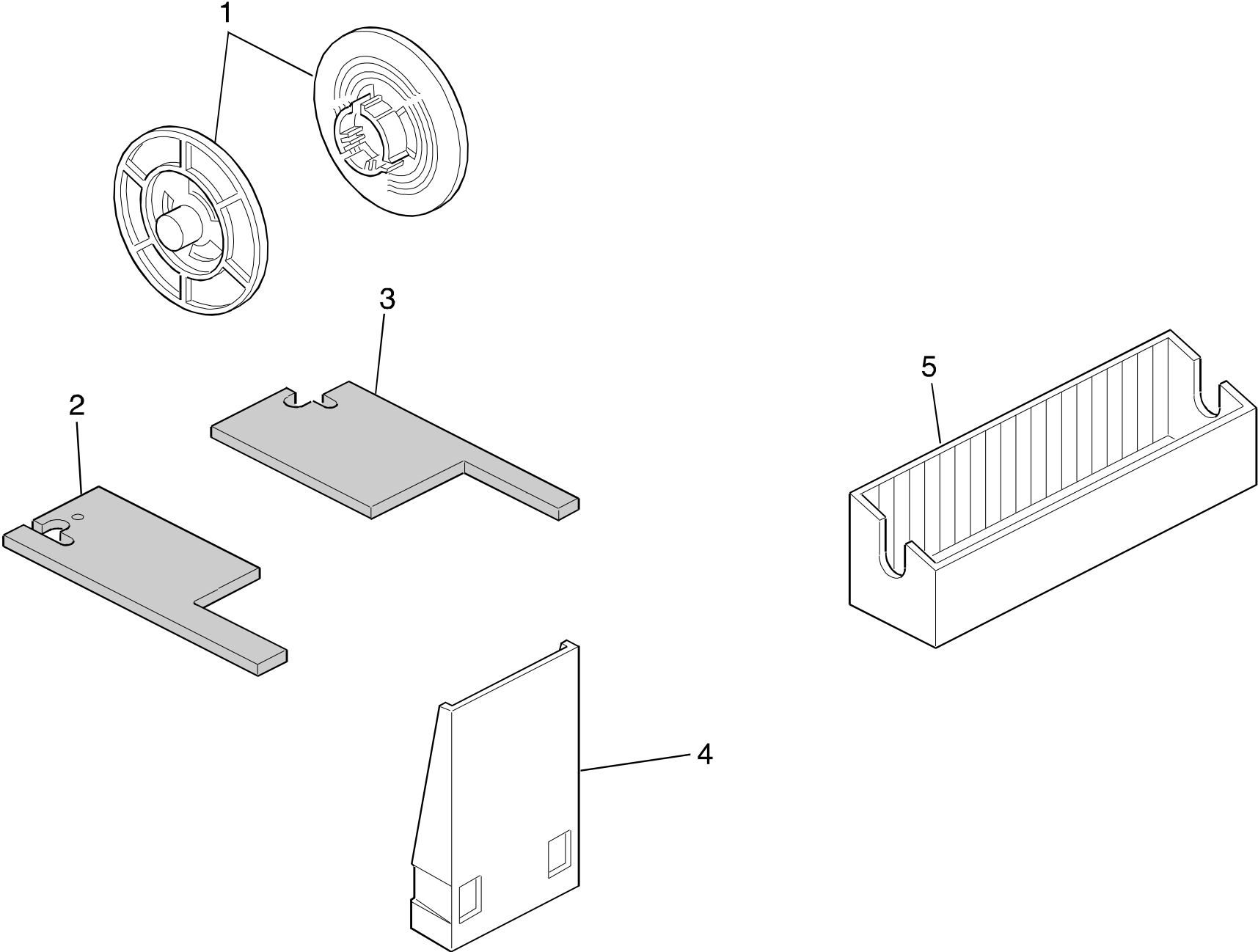


37.ELECTRICAL SECTION 2 (C228)

Index No.	Part No.	Description	Q'ty Per Assembly
1	C200 8446	Copy Counter	1
2	C209 8276	Main Switch	1
3	5056 0509	Nut Plate - Microswitch	2
4	C219 8171	Microswitch	1
5	C209 8278	LED - DRUM	1
6	C209 2469	Door Catch	1
7	C219 2418	Push Switch Bracket	1
8	C228 8045	UVEPROM - IC123 - 512K X8 150NS	1
9	C218 2051	Main Board Spacer	2
10	C228 8127	Plotter Unit Harness	1
11	C228 8001	Image Processing Board	1
12	C228 8005	UVEPROM - IC435 - 256K X8 150NS	1
13	C223 8006	UVEPROM - IC440 - 256K X8 150NS	1
14	C228 8004	UVEPROM - IC438 - 256K X8 150NS	1
15	C228 8157	Thermal Head Harness	1
16	C228 8208	DC Drive Harness (230V)	1
16	C228 8113	DC Drive Harness (115V)	1
17	AG07 0004	Magnetic Catch	1
18	C200 3755	Plate Spring	1
19	C219 2419	Safety Switch Bracket	1
20	C218 5094	Insulating Sheet	1
21	C200 2596	Main Board Stud - Long	1
22	C218 2052	Stud - Main Control Board	1
23	C228 8042	Main Control Board	1
24	C223 2054	IPU Board Stud	2
26	C228 8047	UVEPROM - IC124 - 512K X8 - 150NS	1
27	C218 8153	Scanner Flat Cable	1
28	C228 5094	Insulating Sheet	1
29	C228 8130	Motor Harness	1
30	C219 8296	Safety Switch	1
31	C218 2172	Safety Switch Lever - LT	1
32	C218 2173	Support Plate - Safety Switch - LT	1
33	C218 2185	Stepper Screw	1
34	C200 8443	Master Counter (NRG)	1

Index No.	Part No.	Description	Q'ty Per Assembly
100	0313 0060Z	Philips Pan Head Screw - M3x6	
101	0951 3004Z	Philips Screw With Flat Washer - M3x4	
102	1204 1442	Micro Switch - V-152-3A5(10E)	
103	0313 0140Z	Philips Pan Head Screw - M3x14	
104	0800 0084	Philips Pan Head Screw - M2.3x12	
105	0951 3012Z	Philips Screw W/h Flat Washer - M3x12	
106	0434 0080Z	Pan Head Self-tapping Screw - M4x8	
107	0960 4010Z	Philips Flange Screw - M4X10	
108	0960 4008Z	Flange Head Screw - 4 X 8	
109	1107 0788	Circuit Breaker - 6A (115V)	
109	1107 0782	Circuit Breaker - 5A (230V)	
110	1107 0413	Fuse (glass Case) - 3A - 125V	
111	1107 0415	Fuse (Glass Case) - 5A - 125V	
112	0951 3006Z	Philips Screw With Flat Washer - M3x6	
113	0314 0080Z	Philips Screw - 4x8	
114	0960 3006B	Philips Flange Screw - M3 X 6	
115	0720 0020Z	Retaining Ring - M2	
116	1204 2239	Micro Switch	
117	0951 3008Z	Philips Screw With Flat Washer - M3x8	

38.ACCESSORIES (C228)

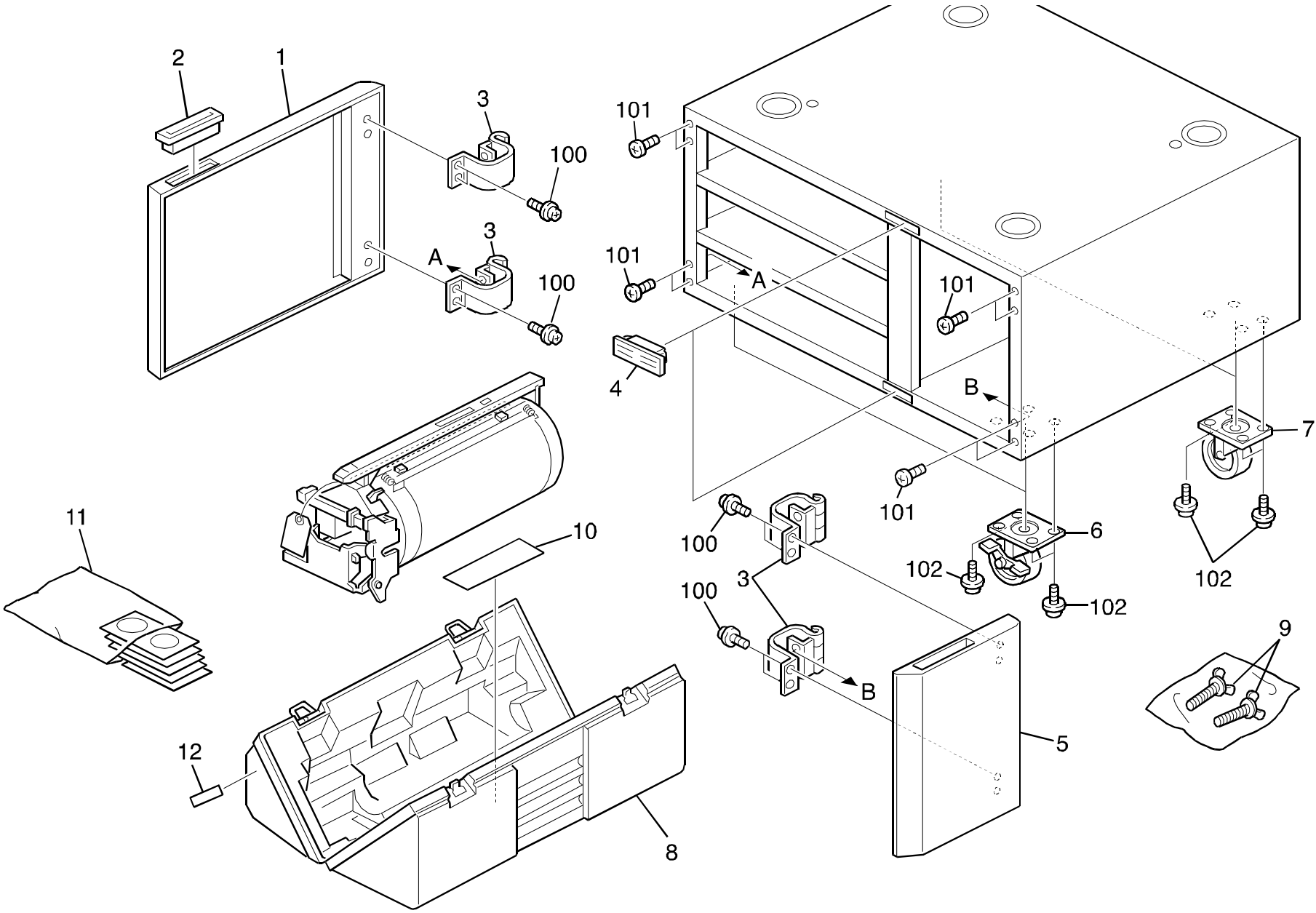


38.ACCESSORIES (C228)

Index No.	Part No.	Description	Q'ty Per Assembly
1	C213 4042	Master Roll Flange	1
2	C223 2551	Base Pad - Front	1
3	C223 2553	Base Pad - Rear	1
4	C223 6183	End Plate	1
5	C209 3558	Master Eject Box	1

Index No.	Part No.	Description	Q'ty Per Assembly

39.TABLE SECTION (C228)



39.TABLE SECTION (C228)

Index No.	Part No.	Description	Q'ty Per Assembly
1	C546 2020	Left Door	1
2	C546 2030	Door Grip	1
3	C525 2031	Door Hinge	4
4	C525 2032	Door Catch	2
5	C546 2025	Right Door	1
6	C525 2039	Caster Stopper	2
7	C525 2038	Caster	2
8	C526 2200	Option Drum Case	1
9	C546 2035	Adjusting Screw	2
10	C526 2113	Decal - Drum Set	1
11	C526 2151	Drum Decal - Red	1
11	C526 2152	Drum Decal - Blue	1
11	C526 2153	Drum Decal - Green	1
11	C526 2154	Drum Decal - Brown	1
11	C526 2259	Drum Decal - White	1
12	C526 2210	Decal - Drum Case	1

Index No.	Part No.	Description	Q'ty Per Assembly
100	0951 4006B	Philips Screw With Washer - M4x6	
101	0960 3008B	Philips Flange Screw - M3x8	
102	0950 5012B	Philips Screw With Flat Washer - M5x12	

40.IMAGE PROSSETING BOARD (C228)

CAPACITOR

SYMBOL NO.	INDEX NO.	SYMBOL NO.	INDEX NO.	SYMBOL NO.	INDEX NO.	SYMBOL NO.	INDEX NO.	SYMBOL NO.	INDEX NO.	SYMBOL NO.	INDEX NO.	SYMBOL NO.	INDEX NO.
C401	132	C411	143	C421	143	C431	143	C441	139	C451	139	C461	139
C402	135	C412	143	C422	143	C432	143	C442	139	C452	143	C462	143
C403	134	C413	139	C423	144	C433	143	C443	139	C453	143	C463	143
C404	133	C414	142	C424	144	C434	143	C444	139	C454	146	C464	139
C405	137	C415	141	C425	145	C435	143	C445	139	C455	143	C465	143
C406	142	C416	141	C426	143	C436	143	C446	143	C456	141	C466	143
C407	136	C417	139	C427	143	C437	143	C447	139	C457	143	C467	143
C408	143	C418	139	C428	143	C438	143	C448	143	C458	143	C468	143
C409	143	C419	143	C429	143	C439	143	C449	143	C459	143	C469	143
C410	143	C420	143	C430	143	C440	143	C450	143	C460	143	C470	143

SYMBOL NO.	INDEX NO.	SYMBOL NO.	INDEX NO.	SYMBOL NO.	INDEX NO.	SYMBOL NO.	INDEX NO.	SYMBOL NO.	INDEX NO.	SYMBOL NO.	INDEX NO.		
C471	143	C481	143	C491	138	C501	143	C511	143	CN401	190	FIL401	120
C472	140	C482	140	C192	139	C502	143	C512	143	CN402	190	FIL402	120
C473	143	C483	143	C493	143	C503	143			CN403	191	FIL403	120
C474	143	C484	143	C494	143	C504	143			CN404	182	FIL404	121
C475	143	C485	143	C495	143	C505	143			CN405	190	FIL405	120
C476	143	C486	140	C496	143	C506	143			CN406	182	FIL406	120
C477	143	C487	143	C497	143	C507	143			CN407	191	FIL407	120
C478	143	C488	143	C498	143	C508	143			CN408	191	FIL408	120
C479	139	C489	138	C499	143	C509	143			CN409	191	FIL409	120
C480	140	C490	140	C500	143	C510	143			CN410	190	FIL410	120

CONNECTOR

FILTER

40.IMAGE PROSSETING BOARD (C228)

FILTER

SYMBOL NO.	INDEX NO.
FIL411	121
FIL412	120
FIL413	120
FIL414	120
FIL415	120
FIL416	121
FIL417	120
FIL418	120
FIL419	120
FIL420	120

SYMBOL NO.	INDEX NO.
FIL421	120
FIL422	120

IC

SYMBOL NO.	INDEX NO.
IC401	116
IC402	110
IC403	110
IC404	110
IC405	111
IC406	110
IC407	5
IC408	148
IC409	147
IC410	147

SYMBOL NO.	INDEX NO.
IC411	147
IC412	113
IC413	2
IC414	147
IC415	147
IC416	147
IC417	110
IC418	147
IC419	147
IC420	110

SYMBOL NO.	INDEX NO.
IC421	112
IC422	4
IC423	147
IC424	147
IC425	8
IC426	147
IC427	147
IC428	147
IC429	147
IC430	3

SYMBOL NO.	INDEX NO.
IC431	6
IC432	147
IC433	114
IC434	117
IC435	11
(Socket)	108
IC436	147
IC437	7
IC438	10
(Socket)	109
IC439	115

SYMBOL NO.	INDEX NO.
IC440	1
(Socket)	108
IC441	147
IC442	147
IC443	9
IC444	9
IC445	9
IC446	9
IC447	9

OSC

SYMBOL NO.	INDEX NO.
OSC401	118

RESISTOR

SYMBOL NO.	INDEX NO.
R401	119
R402	119
R403	130
R404	123
R405	123
R406	123
R407	128
R408	128
R409	128
R410	126

SYMBOL NO.	INDEX NO.
R411	126
R412	126
R413	126
R414	126
R415	126
R416	126
R417	126
R418	123
R419	123
R420	123

SYMBOL NO.	INDEX NO.
R421	129
R422	126
R423	126
R424	126
R425	126
R426	128
R427	128
R428	128
R429	129
R430	126

SYMBOL NO.	INDEX NO.
R431	126
R432	126
R433	126
R434	123
R435	130
R436	123
R437	129
R438	128
R439	129
R440	127

SYMBOL NO.	INDEX NO.
R441	127
R442	131
R443	—
R444	124
R445	124
R446	123
R447	123
R448	123
R449	124
R450	123

SYMBOL NO.	INDEX NO.
R451	123
R452	123
R453	123
R454	123
R455	124
R456	123
R457	129
R458	124
R459	123
R460	123

40.IMAGE PROSSETING BOARD (C228)

RESISTOR

SYMBOL NO.	INDEX NO.
R461	129
R462	123
R463	129
R464	123
R465	123
R466	123
R467	123
R468	123
R469	124
R470	124

SYMBOL NO.	INDEX NO.
R471	129
R472	123
R473	123
R474	124
R475	124
R476	124
R477	123
R478	123
R479	124
R480	124

SYMBOL NO.	INDEX NO.
R481	124
R482	125
R483	128
R484	123
R485	123
R486	123
R487	128
R488	129
R489	124
R490	124

SYMBOL NO.	INDEX NO.
R491	124
R492	124
R493	124
R494	123
R495	123
R496	123
R497	123
R498	123
R499	123
R500	123

SYMBOL NO.	INDEX NO.
R501	123
R502	123
R503	128
R504	128
R505	123
R506	123
R507	123
R508	123
R509	123
R510	123

SYMBOL NO.	INDEX NO.
R511	123
R512	123
R513	123
R514	123
R515	123
R516	123
R517	128

TP

SYMBOL NO.	INDEX NO.
TP401	101
TP402	101
TP403	101

40.IMAGE PROSSETING BOARD (C228)

Index No.	Part No.	Description	Q'ty Per Assembly
*	C228 8001	Image Processing Board	1
1	C223 8006	UVEPROM - IC440 - 256K X8 150NS	1
2	A012 5226	IC - TC19G060AF0027	1
3	A037 5222	IC - TC23SC100AF	1
4	C223 8091	IC - UPD65622GF-184-3	1
5	C228 8030	IC - Thermal Head Drive	1
6	C228 8402	Count - IC431	1
7	C228 8404	Makeup - IC437	1
8	C228 8405	EIS - IC425	1
9	C228 8450	IC - MSM511000C-70JS	1
10	C228 8004	UVEPROM - IC438 - 256K X8 150NS	1
11	C228 8005	UVEPROM - IC435 - 256K X8 150NS	1

Index No.	Part No.	Description	Q'ty Per Assembly
101	1101 0328	Connector Pin Contact	
102	1102 5571	CT Connector	
103	1102 6576	Connector - 60P	
104	1102 6602	Connector - 11P	
105	1102 7297	Connector - 120P	
106	1103 0507	Connector - 6P	
107	1103 1332	Connector - 26P	
108	1104 0373	IC Socket - 28PIN	
109	1104 0589	Dip Socket - 32p	
110	1407 1600	TTLIC - SN74LS244NS	
111	1407 1746	TTL - SN74LS240NS	
112	1407 2077	TTLIC - SN74LS138NS	
113	1407 2249	TTL - SN74LS174NS	
114	1407 3281	IC - TC74HCU04AF	
115	1407 3677	IC - MN8357	
116	1407 3708	IC - SLA7026M	
117	1407 4612	IC - CY7C167A-35VC	
118	1503 0443	Crystal Oscillator - 20mhz	
119	1600 1214	Resistor-0.68 Ω 2w	
120	1607 0477	Coil - BLM21A121SPB	
121	1607 0806	Filter - BK2125HS431	
122	1630 3101	Resistor - 100 Ω - 1/10W	
123	1630 3102	Resistor - 1K Ω 1/10W \pm 5%	
124	1630 3103	Resistor - 10K Ω 1/10W \pm 5%	
125	1630 3105	Resistor - 1M Ω \pm 5% 1/10W	
126	1630 3202	Resistor - 2K Ω -1/10W	
127	1630 3242	Resistor - 2.4K Ω \pm 5% 1/10W	
128	1630 3471	Resistor - 470 Ω - 1/10W	
129	1630 3472	Resistor - 4.7K Ω 1/10W \pm 5%	
130	1630 3473	Resistor - 47K Ω 1/10W \pm 5%	
131	1630 3511	Resistor - 510 Ω \pm 5% 1/10W	
132	1640 5101	Capacitor - 100 μ F \pm 20% 50V	
133	1642 0101	Capacitor - 100 μ F \pm 20% 50V	
134	1642 2470	Capacitor - 47 μ F \pm 20% 25V	

Index No.	Part No.	Description	Q'ty Per Assembly
135	1642 5479	Capacitor-4.7 μ F50v	
136	1660 3101	Capacitor - 100pF 50V	
137	1660 3102	Capacitor - 1000pF \pm 5% 50V	
138	1660 3150	Capacitor - 15pF 50V	
139	1660 3151	Capacitor - 150pF \pm 5% 50V	
140	1660 3220	Capacitor - 122pF \pm 5% 50V	
141	1660 3221	Capacitor - 220pF \pm 5% 50V	
142	1660 3471	Capacitor - 470pF 50V	
143	1660 5103	Capacitor - 10000pF \pm 10% 50V	
144	1660 5222	Capacitor - 2200pF \pm 10% 50V	
145	1660 7104	Capacitor - 100000pF 50V	
146	1660 9104	C - 0.1 μ F25v	
147	1902 0003	Sram - 64k - X8 - 100ns	
148	1904 0013	SRAM 256K X8 20NS G2	

Index No.	Part No.	Description	Q'ty Per Assembly

41.MAIN CONTROL BOARD (C228)

CAPACITOR

SYMBOL NO.	INDEX NO.	SYMBOL NO.	INDEX NO.	SYMBOL NO.	INDEX NO.	SYMBOL NO.	INDEX NO.	SYMBOL NO.	INDEX NO.	SYMBOL NO.	INDEX NO.	SYMBOL NO.	INDEX NO.
C101	118	C111	117	C121	112	C131	167	C141	118	C151	118	C161	118
C102	165	C112	117	C122	112	C132	167	C142	116	C152	117	C162	118
C103	163	C113	—	C123	114	C133	167	C143	118	C153	118	C163	118
C104	119	C114	169	C124	118	C134	167	C144	116	C154	116	C164	116
C105	118	C115	116	C125	118	C135	118	C145	118	C155	118	C165	118
C106	118	C116	165	C126	168	C136	118	C146	119	C156	—	C166	118
C107	168	C117	113	C127	166	C137	118	C147	118	C157	118	C167	118
C108	113	C118	116	C128	166	C138	118	C148	164	C158	118	C168	—
C109	163	C119	112	C129	168	C139	118	C149	164	C159	118	C169	115
C110	118	C120	112	C130	118	C140	118	C150	118	C160	118	C170	118

CONNECTOR

SYMBOL NO.	INDEX NO.	SYMBOL NO.	INDEX NO.	SYMBOL NO.	INDEX NO.	SYMBOL NO.	INDEX NO.	SYMBOL NO.	INDEX NO.	SYMBOL NO.	INDEX NO.		
C171	118	C181	118	CN101	106	CN111	113	D101	125	D111	128	D121	129
C172	118	C182	119	CN102	110	CN112	102	D102	125	D112	128	D122	129
C173	118	C183	118	CN103	108	CN113	103	D103	125	D113	125	D123	125
C174	118	C184	118	CN104	107	CN114	112	D104	125	D114	125		
C175	116	C185	116	CN105	106	CN115	—	D105	128	D115	125		
C176	118			CN106	106	CN116	105	D106	128	D116	129		
C177	116			CN107	104			D107	128	D117	129		
C178	118			CN108	109			D108	128	D118	129		
C179	118			CN109	111			D109	128	D119	129		
C180	118			CN110	—			D110	128	D120	129		

DIODE

DPS

SYMBOL NO.	INDEX NO.
DPS101	119
DPS102	120

FILTER

SYMBOL NO.	INDEX NO.
FIL101	172
FIL102	172
FIL103	172
FIL104	172
FIL105	172
FIL106	172
FIL107	172
FIL108	172
FIL109	172
FIL110	172

SYMBOL NO.	INDEX NO.
FIL111	172
FIL112	172
FIL113	172
FIL114	172
FIL115	171
FIL116	171
FIL117	171
FIL118	171
FIL119	171
FIL120	171

SYMBOL NO.	INDEX NO.
FIL121	171
FIL122	171
FIL123	172
FIL124	172
FIL125	172
FIL126	172
FIL127	172
FIL128	172

FUSE

SYMBOL NO.	INDEX NO.
FU101	117
(CLIP)	114
FU102	118
(CLIP)	114

IC

SYMBOL NO.	INDEX NO.
IC101	132
IC102	133
IC103	127
IC104	123
IC105	123
IC106	144
IC107	139
IC108	148
IC109	1
IC110	150

SYMBOL NO.	INDEX NO.
IC111	146
IC112	151
IC113	151
IC114	140
IC115	140
IC116	145
IC117	143
IC118	210
(Socket)	118
IC119	137
IC120	131

SYMBOL NO.	INDEX NO.
IC121	124
IC122	132
IC123	3
(Socket)	115
IC124	4
(Socket)	115
IC125	138
IC126	150
IC127	132
IC128	147

SYMBOL NO.	INDEX NO.
IC129	126
IC130	133
IC131	124
IC132	149
IC133	138
IC134	135
IC135	134
IC136	136
IC137	152
IC138	141

SYMBOL NO.	INDEX NO.
IC139	136
IC140	132
IC141	—
IC142	137
IC143	142
IC144	140

L

SYMBOL NO.	INDEX NO.
L101	170

LED

SYMBOL NO.	INDEX NO.
LED101	130
LED102	130
LED103	130
LED104	130
LED105	130
LED106	130

OSC

SYMBOL NO.	INDEX NO.
OSC101	153

Q

SYMBOL NO.	INDEX NO.
Q101	122
Q102	121

41.MAIN CONTROL BOARD (C228)

RERAY

SYMBOL NO.	INDEX NO.
RAY101	157
RAY102	157
RAY103	154
RAY104	154
RAY105	154
RAY106	154
RAY107	155
RAY108	156
RAY109	155
RAY110	158

SYMBOL NO.	INDEX NO.
RAY111	158
RAY112	154
RAY113	156
RAY114	154
RAY115	154
RAY116	154
RAY117	154
RAY118	154
RAY119	154

RESISTOR

SYMBOL NO.	INDEX NO.
R101	173
R102	196
R103	192
R104	192
R105	192
R106	192
R107	175
R108	175
R109	197
R110	197

SYMBOL NO.	INDEX NO.
R111	192
R112	192
R113	192
R114	192
R115	192
R116	192
R117	176
R118	176
R119	207
R120	182

SYMBOL NO.	INDEX NO.
R121	192
R122	193
R123	193
R124	207
R125	182
R126	178
R127	176
R128	176
R129	186
R130	186

SYMBOL NO.	INDEX NO.
R131	197
R132	—
R133	186
R134	191
R135	186
R136	—
R137	178
R138	186
R139	178
R140	198

SYMBOL NO.	INDEX NO.
R141	189
R142	179
R143	196
R144	178
R145	178
R146	178
R147	178
R148	196
R149	197
R150	199

SYMBOL NO.	INDEX NO.
R151	199
R152	174
R153	187
R154	187
R155	187
R156	179
R157	203
R158	200
R159	110
R160	209

SYMBOL NO.	INDEX NO.
R161	208
R162	111
R163	184
R164	205
R165	179
R166	200
R167	177
R168	207
R169	182
R170	207

SYMBOL NO.	INDEX NO.
R171	204
R172	182
R173	207
R174	204
R175	182
R176	207
R177	204
R178	182
R179	204
R180	202

SYMBOL NO.	INDEX NO.
R181	192
R182	204
R183	192
R184	204
R185	192
R186	185
R187	195
R188	179
R189	179
R190	179

SYMBOL NO.	INDEX NO.
R191	171
R192	197
R193	171
R194	201
R195	197
R196	200
R197	171
R198	197
R199	181
R200	206

SYMBOL NO.	INDEX NO.
R201	183
R202	197
R203	178
R204	190
R205	188
R206	180
R207	178
R208	178
R209	178
R210	178

SYMBOL NO.	INDEX NO.
R211	179
R212	188
R213	194
R214	199
R215	192
R216	197
R217	197
R218	197
R219	197
R220	197

41.MAIN CONTROL BOARD (C228)

RESISTOR

TP

VR

SYMBOL NO.	INDEX NO.
R221	197
R222	197
R223	197
R224	197
R225	197
R226	—
R227	197
R228	197
R229	197

SYMBOL NO.	INDEX NO.
TP101	101
TP102	101
TP103	101
TP104	101
TP105	101
TP106	101
TP107	101

SYMBOL NO.	INDEX NO.
VR101	160
VR102	161
VR103	161
VR104	160
VR105	159
VR106	162

41.MAIN CONTROL BOARD (C228)

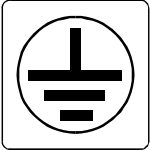
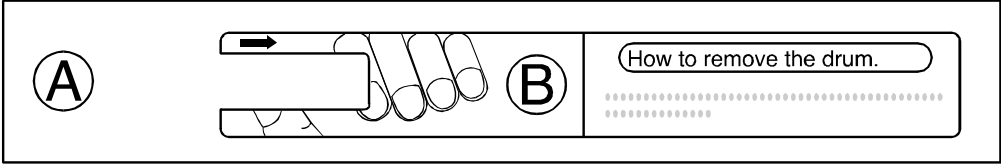
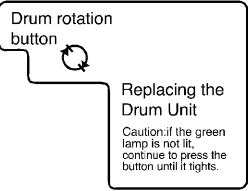
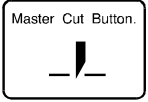


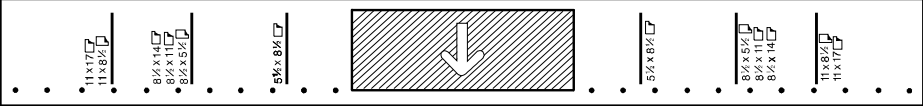
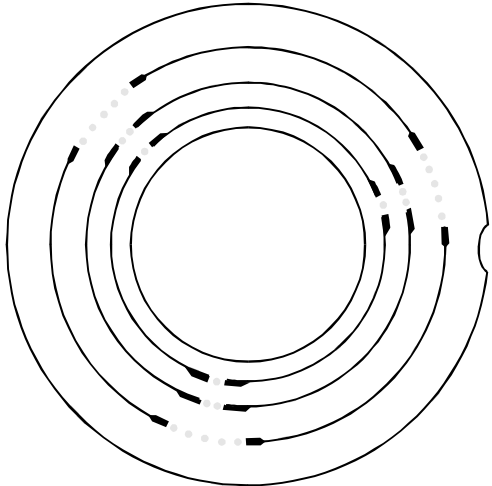
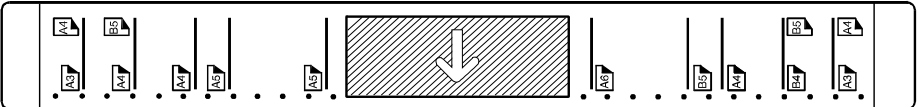

Index No.	Part No.	Description	Q'ty Per Assembly
*	C228 8042	Main Control Board	1
1	C228 8049	LSI - TMP82C79M-2	1
3	C228 8045	UVEPROM - IC123 - 512K X8 150NS	1
4	C228 8047	UVEPROM - IC124 - 512K X8 - 150NS	1
101	1101 0328	Connector Pin Contact	
102	1102 4209	CT Header - 10P	
103	1102 4212	CT Header - 15P	
104	1102 4818	Connector - 20P	
105	1102 4819	Connector - 22P	
106	1102 4823	Connector - 30P	
107	1102 5219	Connector - 28P	
108	1102 5221	Connector - 26P	
109	1102 5561	Connector - 20P	
110	1102 5563	Connector - 24P	
110	1633 4991	Resistor - 4.99K Ω \pm 1%	
111	1102 6593	Connector - 9P	
111	1633 6041	Resistor - 6.04K Ω \pm 1%	
112	1102 7036	Connector - 30P	
112	1640 2101	Capacitor - 100 μ F \pm 20% 25V	
113	1102 7290	Connector - 5P	
113	1640 5100	Capacitor - 10 μ F+20% 35V	
114	1104 0351	Fuse Holder	
114	1640 5221	Capacitor - 220 μ F \pm 20% 50V	
115	1104 0373	IC Socket - 28PIN	

Index No.	Part No.	Description	Q'ty Per Assembly
115	1660 3101	Capacitor - 100pF 50V	
116	1104 0378	IC Socket - 24p - DICF-24CS-E	
116	1660 3102	Capacitor - 1000pF \pm 5% 50V	
117	1107 0413	Fuse (glass Case) - 3A - 125V	
117	1660 3151	Capacitor - 150pF \pm 5% 50V	
118	1107 0415	Fuse (Glass Case) - 5A - 125V	
118	1660 5103	Capacitor - 10000pF \pm 10% 50V	
119	1204 1015	Dip Switch	
119	1660 9104	C - 0.1 μ F25v	
120	1204 1481	Dip Switch	
120	1407 4514	IC - SD1642-120	
121	1400 0403	Transistor - 2SC1623L6	
122	1400 0455	Transistor - 2SC2873Y	
123	1401 0398	IC - STA402A	
124	1401 0400	Transistor Array - SLA4060	
125	1401 0835	Diode - 1SS190	
126	1401 0876	IC - PA2003GR	
127	1401 0877	IC - TD62083F	
128	1402 0476	Diode - 1SS184	
129	1402 1263	Diode - 200v - 1A	
130	1403 0669	Red LED - SIm-13vw	
131	1407 1535	IC - TD62308AP	
132	1407 1600	TTLIC - SN74LS244NS	
133	1407 1746	TTL - SN74LS240NS	
134	1407 1813	IC - SN74LS11NS	
135	1407 1882	TTLIC - SN74LS373NS	
136	1407 2077	TTLIC - SN74LS138NS	
137	1407 2187	TTLIC - SN74LS07NS	
138	1407 2218	TTLIC - SN74LS06NS	
139	1407 2261	IC - NJM2902M	
140	1407 2273	IC - TA8050P	
141	1407 2348	IC - TC4051BF	
142	1407 2594	IC - SN74LS151NS	
143	1407 3492	Cpu -78c10agf	
144	1407 3627	IC - SN74LS145NS	


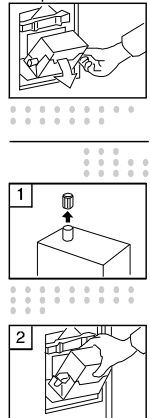
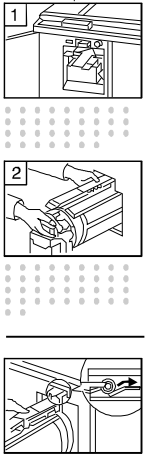
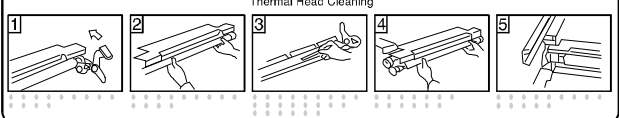
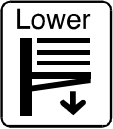
Index No.	Part No.	Description	Q'ty Per Assembly
145	1407 3885	IC - Timer - UPD71054GB-10-3B4	
146	1407 4127	IC - TL7705ACPS	
147	1407 4315	IC - TE7751	
148	1407 4565	IC - TE6251	
149	1408 0456	IC - AN6914S	
150	1408 0595	IC - NJM2904M	
151	1408 0735	IC - HA17339F	
152	1408 1104	IC - MB2803pF-G	
153	1503 0570	Oscillator - 15MHZ	
154	1601 7216	Resistor Array - 4.7K Ω 1/8W	
155	1601 7220	Resistor Array - 10K Ω 1/8W	
156	1601 7377	Resistor Array - 15K Ω \pm 5% 1/8W	
157	1601 7396	Resistor Array - 4.7K Ω	
158	1601 7404	Resistor Array - 10K Ω 1/2W	
159	1601 8145	Variable Resistor - 5K Ω 0.5W	
160	1601 8157	Variable Resistor - 100K Ω	
161	1601 8186	Variable Resistor - 200K Ω	
162	1601 8371	Resistor 2k Ω 1/2w	
163	1604 2089	Capacitor - 1.0 μ F1/8W \pm 20%	
164	1606 1981	Capacitor - 0.0033 μ F \pm 5%	
165	1606 1983	Capacitor - 0.015 μ F \pm 5% 50V	
166	1606 1984	Capacitor - 0.022 μ F \pm 5% 50V	
167	1606 1985	Capacitor - 0.033 μ F \pm 5% 50V	
168	1606 1986	Capacitor - 0.1 μ F \pm 5% 16V	
169	1606 2028	Capacitor - 0.22 μ F \pm 5%	
170	1607 0001	Coil - SN-8S-500	
171	1607 0280	Inductor - Blm41	
172	1607 0477	Coil - BLM21A121SPB	
173	1611 4221	Resistor - 220 Ω 1/4T \pm 5%	
174	1611 6361	Resistor - 360 Ω 1/8T \pm 5%	
175	1611 6470	Resistor - 47 Ω 1/2T \pm 5%	
176	1630 2101	Resistor - 100 Ω 1/8W	
177	1630 2221	Resistor - 220 Ω	

Index No.	Part No.	Description	Q'ty Per Assembly
178	1630 3102	Resistor - 1K Ω 1/10W \pm 5%	
179	1630 3103	Resistor - 10K Ω 1/10W \pm 5%	
180	1630 3124	Resistor - 120 Ω \pm 5% 1/10W	
181	1630 3133	Resistor - 13K Ω \pm 5% 1/10W	
182	1630 3151	Resistor - 150 Ω \pm 5% 1/10W	
183	1630 3154	Resistor - 150K Ω \pm 5% 1/10W	
184	1630 3163	Resistor - 16K Ω \pm 5%	
185	1630 3203	Resistor - 20 Ω \pm 5% 1/10W	
186	1630 3222	Resistor - 2.2K Ω 1/10W \pm 5%	
187	1630 3223	Resistor - 22k Ω - 1/10W	
188	1630 3242	Resistor - 2.4K Ω \pm 5% 1/10W	
189	1630 3244	Resistor - 240K Ω \pm 5% 1/10W	
190	1630 3302	Resistor - 3k Ω - 1/10W	
191	1630 3303	Resistor - 30K Ω \pm 5% 1/10W	
192	1630 3332	Resistor - 3.3K Ω 1/10W \pm 5%	
193	1630 3333	Resistor - 33K Ω \pm 5% 1/10W	
194	1630 3391	Resistor - 390 Ω 1/10W \pm 5%	
195	1630 3393	Resistor - 39K Ω 1/10W	
196	1630 3471	Resistor - 470 Ω - 1/10W	
197	1630 3472	Resistor - 4.7K Ω 1/10W \pm 5%	
198	1630 3473	Resistor - 47K Ω 1/10W \pm 5%	
199	1630 3511	Resistor - 510 Ω \pm 5% 1/10W	
200	1630 3513	Resistor - 51K Ω \pm 5% 1/10W	
201	1630 3514	Resistor - 510K Ω \pm 5% 1/10W	
202	1630 3562	Resistor - 5.6K Ω +5% 1/10W	
203	1630 3682	Resistor - 6.8k Ω - 1/10W	
204	1630 3683	Resistor - 68K Ω \pm 5% 1/10W	
205	1630 3822	Resistor - 8.2K Ω 1/10W \pm 5%	
206	1630 3823	Resistor - 82K Ω \pm 5% 1/10W	
207	1630 3824	Resistor - 820K Ω \pm 5% 1/10W	
208	1633 3601	Resistor - 3.6K Ω \pm 5% 1/10W	
209	1633 4121	Resistor - 4.12K Ω \pm 1%	

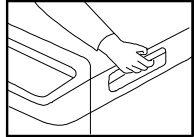
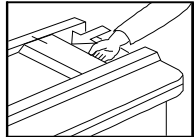
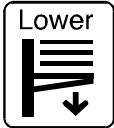
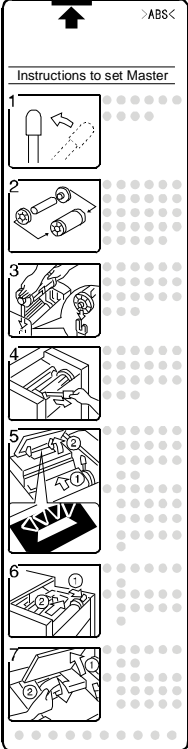

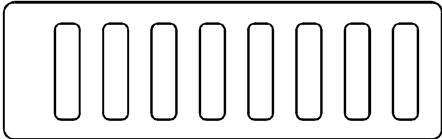
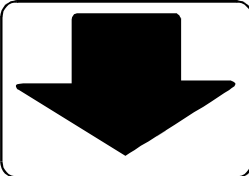

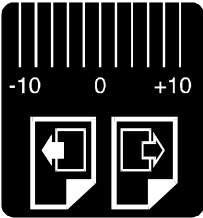
42.DECAL AND DOCUMENT (C228)

<p>1</p> 	<p>2</p> 		<p>7</p>  <p>Drum rotation button</p> <p>Replacing the Drum Unit</p> <p>Caution: if the green lamp is not lit, continue to press the button until it tightens.</p>
<p>3</p>  <p>Master Cut Button.</p>	<p>4</p>  <p>Open carefully</p>	<p>8</p> 	
<p>5</p> 		<p>9</p> 	
<p>6</p> 			
<p>10</p> 			

42.DECAL AND DOCUMENT (C228)

<p>10</p> 		<p>15</p> <div data-bbox="1442 293 2040 679" style="border: 1px solid black; padding: 10px;"> <p>↖</p> <p>Transport position position transport posicion de transporte posizione di trasporto Transport-position</p> <p>↖</p> <p>Operating position posicion travail posicion de funcionamiento posizione di funzionamento Betriebs-position</p> </div>
<p>11</p> <div data-bbox="232 389 568 959" style="border: 1px solid black; padding: 5px;"> <div style="display: flex;"> <div style="flex: 1;"> <p>Ink Replenishment</p>  </div> <div style="flex: 1;"> <p>Drum Unit Replacement</p>  </div> </div> </div>	<p>12</p> <div data-bbox="719 628 1335 767" style="border: 1px solid black; padding: 5px;"> <p>Thermal Head Cleaning</p>  </div>	<p>16</p> <div data-bbox="1442 943 2040 1334" style="border: 1px solid black; padding: 10px;"> <p>↙</p> <p>Operating position posicion travail posicion de funcionamiento posizione di funzionamento Betriebs-position</p> <p>↙</p> <p>Transport position position transport posicion de transporte posizione di trasporto Transport-position</p> </div>
<p>13</p> <div data-bbox="421 1107 490 1347" style="border: 1px solid black; padding: 5px; text-align: center;"> <p>Feeder</p> <p>Standard</p> <p>Thick paper</p> </div>	<p>14</p> <div data-bbox="1039 1171 1151 1299" style="border: 1px solid black; padding: 5px; text-align: center;"> <p>Lower</p>  </div>	

42.DECAL AND DOCUMENT (C228)

<p>17</p> <p>How to Open and Close the original table.</p>  <p>1</p>  <p>2</p> <p>3</p>	<p>20</p> 	<p>22</p> 	<p>23</p> <p>When you have set the new Master the cut Master should be removed by opening this cover. (Caution)if the cut Masuter is not removed, this will cause a paper jam.</p>
<p>18</p> <p>Push to open the master eject unit</p>	<p>21</p> 	<p>28</p> <p>Gestetner ● ● ●</p> <p>Nashuatec ● ● ●</p> <p>RexRotary ● ● ●</p>	<p>24</p> 
<p>19</p> 	<p>27</p> <p>Gestetner</p> <p>Nashuatec</p>	<p>25</p> 	<p>26</p> 

42.DECAL AND DOCUMENT (C228)

Index No.	Part No.	Description	Q'ty Per Assembly
*	C228 8600	Operating Instructions - English (RIC-EU)	1
*	C228 8607	Operating Instructions - English (RIC-LT)	1
*	C228 8690	Operating Instructions - NRG:EU	1
*	C228 8697	Operating Instructions - NRG/SAVIN NA	1
1	AA00 1190	Decal - Ground	1
2	C201 2543	Decal - Drum Caution	1
3	C203 2759	Master Cutter Decal	1
4	C210 2804	Decal - Caution	1
4	C218 2910	Caution Decal - French	1
4	C218 2911	Caution Decal - Spanish	1
4	C218 2912	Caution Decal - Italian	1
4	C218 2913	Caution Decal - German	1
5	C210 2805	Decal - Paper Size (LT)	1
6	C210 2806	Decal - Paper Size (A4)	1
7	C201 2813	Decal - Replasing tTe Drum unit	1
8	C217 2514	Decal - Main Switch	1
10	C218 2516	Decal - Original Scale - A4	1
11	C218 2816	Decal - Drum Replacement - Lt	1
12	C218 2817	Decal - Replacement	1
13	C218 2818	Decal - Paper Feed Pressure - LT	1
14	C218 2819	Decal - Paper Table Down	1
15	C218 2821	Decal Font Fixting	1
16	C218 2822	Decal - Rear Fixting	1
17	C218 2824	Decal - Original Table - LT	1
18	C218 2825	Decal - Master Eject Open	1
19	C218 2827	Decal - Master Feed	1
20	C218 2819	Decal - Paper Table Down (LT)	1
20	C218 2841	Decal - Paper Table Doun (A4)	1
21	C218 8430	Decal - Newtral	1
22	C228 2552	Caution Decal - Master Set	1
23	C222 2553	Caution Decal - Master Set	1
24	C222 2554	Decal - Mode	1
25	C223 2452	Decal - Paper Table Knob	1
26	C223 2453	Decal - Paper Level	1
27	C225 2866	Decal - Key Top Cover	1

Index No.	Part No.	Description	Q'ty Per Assembly
27	C225 2867	Decal - Cover - Panel - Nashua	1
27	A153 6409	Decal - Keytop Cover	1
28	C228 2864	Model Name Plate - SVN 3400DNP	1
28	C228 2865	Model Name Plate - GES 5390	1
28	C228 2866	Model Name Plate - REX 1295	1
28	C228 2867	Model Name Plate - NSA CP385	1

PARTS INDEX

Part No.	Description	Page and Index No.
C228 1009	Imaging Unit Ass'y	67- *
C228 1011	Master Eject Unit	75- *
C228 2072	Feed Gear Stopper Shaft	21- 23
C228 2409	Front Right Cover (RIC)	11- 14
C228 2552	Caution Decal - Master Set	11- 34
C228 2552	Caution Decal - Master Set	97- 22
C228 2801	Operation Panel Ass'y (LT)	11- 17
C228 2811	Rear Upper Cover	11- 20
C228 2831	Operation Panel Ass'y (A4)	11- 17
C228 2864	Model Name Plate - SVN 3400DNP	97- 28
C228 2865	Model Name Plate - GES 5390	97- 28
C228 2866	Model Name Plate - REX 1295	97- 28
C228 2867	Model Name Plate - NSA CP385	97- 28
C228 3062	Timing Pulley	63- 34
C228 3063	Timing Pulley	63- 19
C228 3065	Timing Pulley	63- 11
C228 3259	Scanner Ass'y	65- *
C228 3524	1st Lower Eject Roller	75- 30
C228 3574	Blower Fan Bracket	79- 11
C228 3581	Blower Duct	79- 13
C228 4002	Plotter Left Side Plate	67- 10
C228 4013	Plotter Right Side Plate	67- 27
C228 4021	Holder Master	67- 22
C228 4024	Tension Bracket	71- 27
C228 4025	Mater Roller Holder	69- 7
C228 4030	Stay:thermal Head:ass'y	67- 5
C228 4034	Spring:thermal Head	67- 7
C228 4038	Mater Guide Sheet - Large	71- 17
C228 4039	Spacer:thermal Head	67- 4
C228 4040	Platen Roller	69- 5
C228 4050	Thermal Head Cover	67- 25
C228 4054	Thermal Head Cover	67- 36
C228 4056	Thermal Head Guide	67- 37
C228 4057	Tension Roller Guide Mylar	71- 20
C228 4065	Cutter Unit	69- 1

Part No.	Description	Page and Index No
C228 4069	Gear:roller:tension:plotter	71- 3
C228 4073	Upper Master Feed Roller	71- 14
C228 4080	Pressure Release Cam	71- 30
C228 4081	Idle Gear	71- 34
C228 4082	Worm Wheel	71- 33
C228 4083	Pressure Release Shaft	71- 29
C228 4084	Drive Gear	71- 35
C228 4085	Motor Bracket	71- 32
C228 4088	Lower Guide Plate Ass'y	71- 18
C228 4091	Reverse Guide	71- 13
C228 4100	Upper Reverse Roller	73- 14
C228 4105	Lower Reverse Roller	73- 16
C228 4107	Tension Spring	71- 28
C228 4111	Pulley - 38	69- 2
C228 4112	Timing Belt - B114MXI9.5	69- 3
C228 4115	Torque Limiter	71- 25
C228 4116	Gear:middle:plotter	71- 2
C228 4118	Supporting Plate:drive Sub-unit:plo	71- 1
C228 4120	Cushion:motor:plotter	69- 9
C228 4125	Left Connector Bracket	73- 7
C228 4175	Left Positioning Pin - Thermal Head	69- 12
C228 4176	Right Positioning Pin - Thermal Head	69- 15
C228 4179	Left Holder - Platen Cover	69- 4
C228 4184	Right Holder - Platen Cover	69- 6
C228 4300	Counter Roller	71- 15
C228 4305	Drive Gear	71- 22
C228 4306	Invertor Guide Stay	73- 9
C228 4309	Vacuum Fan Pad	73- 15
C228 4311	Reverse Guide Plate	73- 10
C228 4313	Middle Roller Gear	71- 26
C228 4314	Idle Gear	71- 21
C228 4338	Shield Mylar	73- 26
C228 4340	Duct Support Plate	73- 20
C228 4392	Front Bracket - Thermal Head	67- 2
C228 5016	Front Side Plate	31- 10

Part No.	Description	Page and Index No.
C228 5018	Separation Plate	31- 9
C228 5033	Core:paper Feed Roller	27- 35
C228 5061	Right Arm - Separation	29- 9
C228 5062	Left Lever Bracket	29- 4
C228 5094	Insulating Sheet	83- 28
C228 5101	Paper Feed Cam Ass'y	21- 29
C228 5118	Cam:paper Feed:ass'y	21- 13
C228 5122	Cam:feed:double Letter	21- 14
C228 5123	Upper Guide Plate	33- 12
C228 5184	Sector Gear	21- 25
C228 5203	Lower 2nd Feed Roller	33- 20
C228 5215	Lower Guide Plate - Adhesion	33- 15
C228 5223	Lift Cam	21- 26
C228 5561	Pressure Roller Cam	19- 10
C228 5566	Pressure On/off Lever	37- 15
C228 5587	Bracket Sheet Ass'y	37- 28
C228 6030	Autistic Brush - 35mm	41- 16
C228 6101	Delivery Table Unit (A4)	45- *
C228 6166	End Fence Support Plate	45- 11
C228 6271	Delivery Table Unit (LT)	45- *
C228 8001	Image Processing Board	89- *
C228 8001	Image Processing Board	83- 11
C228 8004	UVEPROM - IC438 - 256K X8 150NS	83- 14
C228 8004	UVEPROM - IC438 - 256K X8 150NS	89- 10
C228 8005	UVEPROM - IC435 - 256K X8 150NS	83- 12
C228 8005	UVEPROM - IC435 - 256K X8 150NS	89- 11
C228 8030	IC - Thermal Head Drive	89- 5
C228 8037	Thermal Head - A3	67- 1
C228 8042	Main Control Board	93- *
C228 8042	Main Control Board	83- 23
C228 8045	UVEPROM - IC123 - 512K X8 150NS	83- 8
C228 8045	UVEPROM - IC123 - 512K X8 150NS	93- 3
C228 8047	UVEPROM - IC124 - 512K X8 - 150NS	83- 26
C228 8047	UVEPROM - IC124 - 512K X8 - 150NS	93- 4
C228 8049	LSI - TMP82C79M-2	93- 1

Part No.	Description	Page and Index No
C228 8113	DC Drive Harness (115V)	15- 15
C228 8113	DC Drive Harness (115V)	83- 16
C228 8123	Harness:gate:master Ejection Unit	79- 18
C228 8127	Plotter Unit Harness	83- 10
C228 8128	Imaging Unit Harness	73- 6
C228 8129	Motor Relay Harness	69- 16
C228 8129	Thermal Head Drive Harness	73- 27
C228 8130	Motor Harness	83- 29
C228 8157	Thermal Head Harness	83- 15
C228 8163	Thermal Head Harness	73- 28
C228 8163	Thermal Head Harness - 1	67- 15
C228 8164	Thermal Head Harness - 2	67- 14
C228 8208	DC Drive Harness (230V)	83- 16
C228 8208	DC Drive Harness (230V)	15- 15
C228 8301	DC/DC Converter	67- 13
C228 8402	Count - IC431	89- 6
C228 8404	Makeup - IC437	89- 7
C228 8405	EIS - IC425	89- 8
C228 8450	IC - MSM511000C-70JS	89- 9
C228 8600	Operating Instructions - English (RIC-EU)	97- *
C228 8607	Operating Instructions - English (RIC-LT)	97- *
C228 8690	Operating Instructions - NRG:EU	97- *
C228 8697	Operating Instructions - NRG/SAVIN NA	97- *

Part No.	Description	Page and Index No.
AA00 1190	Decal - Ground	97- 1
AA06 3016	Pressure Spring	17- 28
AA14 3062	Shoulder Screw - M4	37- 27
AA14 3285	Stepped Screw	37- 30
AA16 2053	Platen Cover Pad	13- 5
AB03 0216	Pulley - 15Z	81- 33
AC02 0046	CCD Lens F4/43	61- 29
AG07 0004	Magnetic Catch	79- 8
AG07 0004	Magnetic Catch	83- 17
AG07 0004	Magnetic Catch	41- 12
AW01 0066	Photosensor - PS-R50D1-B	33- 21
AW02 0021	Photointerruptor - 175487-3	37- 21
AW02 0021	Photointerruptor - 175487-3	29- 23
AW02 0021	Photointerruptor - 175487-3	25- 37
AW02 0021	Photointerruptor - 175487-3	65- 5
AW02 0021	Photointerruptor - 175487-3	71- 36
AW02 0021	Photointerruptor - 175487-3	81- 1
AW02 0075	Photointerrupter	77- 23
C200 2221	Collar - Pressure Cam Shaft	19- 7
C200 2224	Plate Nut - Print Pressure Cam	19- 9
C200 2225	Pressure Cam Shaft	19- 8
C200 2232	Drive Shaft	19- 1
C200 2248	Fixing Plate	19- 4
C200 2266	Bearing Holder	21- 21
C200 2267	Spacer	19- 21
C200 2311	Image Shifting Link	21- 17
C200 2338	Gear - 20T	73- 1
C200 2596	Maim Board Stud - Long	83- 21
C200 3123	Support Plate - Safety Switch (A4)	81- 7
C200 3508	Master Eject Stay - Small	77- 14
C200 3529	Pulley Plate	75- 22
C200 3547	Pulley	75- 21
C200 3553	Solenoid Bracket	75- 15
C200 3554	Solenoid Arm	75- 16
C200 3606	Coupled Gear - 62t & 20t	75- 3

Part No.	Description	Page and Index No
C200 3627	Gear - 30T	75- 2
C200 3628	Gear - 20T	75- 6
C200 3629	Gear - 20T	57- 26
C200 3712	Pulley	77- 5
C200 3716	Cushion Shaft	17- 20
C200 3755	Plate Spring	83- 18
C200 3953	Middle Lever	43- 17
C200 3954	Lower Lever	43- 20
C200 3956	Middle Lever Spring	43- 18
C200 3957	Lower Lever Spring	43- 21
C200 4116	Sensor Spring	67- 28
C200 4551	Slide Guide	35- 2
C200 4561	Clamper Spring	35- 4
C200 4625	Drum Rail	53- 7
C200 4627	Drum Rail Shaft	53- 18
C200 4631	Left Arm - Drum Lock	51- 12
C200 4632	Right Arm - Drum Lock	51- 15
C200 4633	Drum Lock Shaft - Long	51- 13
C200 4635	Drum Lock Spring - Right	51- 14
C200 4638	Drum Lock Shaft - Small	51- 20
C200 4653	Drum Shaft Bracket	53- 17
C200 4653	Drum Shaft Bracket	57- 10
C200 4653	Drum Shaft Bracket	55- 5
C200 4723	Adjusting Plate - Doctor Roller	57- 2
C200 4733	Ink Detector Bracket	57- 19
C200 4748	Gear - 45T	57- 27
C200 4814	Bushing - 6x10x55mm	49- 4
C200 4826	Pump Rubber	49- 32
C200 4826	Pump Rubber	49- 25
C200 4861	Pump Clutch Sleeve	49- 13
C200 4862	Ink Stopper	49- 10
C200 4864	Bracket - Ink Supply Solenoid	49- 7
C200 4914	Drum Stopper Spring	49- 3
C200 4924	Right Shaft - Ink Holder	49- 30
C200 4926	Ink Holder Cam	49- 17

Part No.	Description	Page and Index No.
C200 4942	Pinion - 9t	55- 26
C200 4944	Sector Gear - 9t	55- 8
C200 4945	Sector Gear Spring	55- 10
C200 4946	Clamper Sector Shaft	55- 7
C200 5025	Paper Feed Plate Shield	23- 4
C200 5042	Rear Shaft - Paper Feed	25- 28
C200 5118	Release Spring	51- 4
C200 5137	Left Bracket - Guide Plate	33- 14
C200 5138	Right Bracket - Guide Plate	33- 17
C200 5150	Bushing - 7x18x9mm	33- 3
C200 5153	Bushing Supporter	33- 1
C200 5154	Left Spring Arm	33- 7
C200 5155	Right Spring Arm	33- 22
C200 5205	Paper Feed Spring	35- 26
C200 5222	Sector Spring	35- 29
C200 5222	Sector Spring	21- 24
C200 5225	Bracket - Paper Feed Solenoid	35- 16
C200 5226	Link - Paper Feed Solenoid	35- 13
C200 5235	Paper Feed Solenoid Spring	35- 14
C200 5287	Rubber Plate - Paper Feed	25- 5
C200 5340	Upper Feed Roller	33- 9
C200 5526	Print Pressure Bushing	37- 2
C200 5541	Print Pressure Arm	37- 16
C200 5565	Print Pressure Stopper	35- 11
C200 6004	Exit Pawl Lever	47- 25
C200 6059	Pulley - 25T	47- 9
C200 8443	Master Counter (NRG)	83- 34
C200 8446	Copy Counter	83- 1
C201 2211	Stud	21- 10
C201 2211	Stud	21- 11
C201 2217	Gear - 50T	19- 6
C201 2221	Gear - 40T	21- 8
C201 2222	Coupled Gear - 20t & 60t	21- 9
C201 2229	Gear - 50T	21- 15
C201 2425	Adjusting Lever	27- 8

Part No.	Description	Page and Index No
C201 2543	Decal - Drum Caution	53- 2
C201 2543	Decal - Drum Caution	97- 2
C201 2813	Decal - Replasing tTe Drum unit	97- 7
C201 3527	Pressure Spring	75- 25
C201 3529	Lower Pulley Shaft	75- 19
C201 4067	Pump Clutch Collar	49- 14
C201 4531	Drum Stopper Pawl	17- 3
C201 4532	Drum Stopper Roller	17- 4
C201 4533	Drum Stopper Spring	17- 2
C201 4604	Drum Rail Roller	53- 10
C201 4606	Stopper Releasing Plate	53- 6
C201 4606	Stopper Releasing Plate	17- 6
C201 4609	Stopper Relasing Lever	53- 5
C201 4610	Drum Slider Spring	53- 9
C201 4613	Drum Rail Cover	53- 4
C201 4636	Drum Unit Handle	51- 23
C201 4639	Ink Holder Handle	49- 28
C201 4665	Bearing Holder	57- 5
C201 4676	Clutch Spring	49- 12
C201 4679	Ink Pump Slider	49- 21
C201 4682	Ink Cartridge Spring	49- 29
C201 5015	Seal - M10	25- 6
C201 5051	Pinion - 24t	29- 17
C201 5073	Arm Balancer - Feed Roller	27- 21
C201 5075	Guide Plate Bracket	31- 1
C201 5080	Separation Roller Pressure Spring	35- 46
C201 5090	Separation Roller Pressure Stud	29- 5
C201 5101	Link	35- 19
C201 5125	Shoulder Screw - M4	35- 36
C201 5125	Shoulder Screw - M4	33- 8
C201 5125	Shoulder Screw - M4	33- 2
C201 5125	Shoulder Screw - M4	81- 38
C201 5134	Bearing Holder	33- 4
C201 5145	Lift Arm Spring	33- 24
C203 2083	Exit Pawl Bushing	35- 32

Part No.	Description	Page and Index No.
C203 2083	Exit Pawl Bushing	47- 27
C203 2091	Front Shaft	15- 10
C203 2096	Bottom Stay Nut	15- 16
C203 2128	AC Drive Board Cover	81- 40
C203 2215	Gear - 18T	19- 18
C203 2309	Pulse Disk	29- 19
C203 2311	Gear Flange	19- 19
C203 2312	Pulley	19- 11
C203 2316	Timing Belt	19- 12
C203 2317	Pulley - 26Z	19- 5
C203 2318	Reinforcement Plate	21- 22
C203 2326	Gear - 90Z	19- 14
C203 2327	Pulley Flange	19- 13
C203 2759	Master Cutter Decal	97- 3
C203 2759	Master Cutter Decal	81- 14
C203 3511	Arm - Master Eject Box	79- 7
C203 4013	Brake Plate	67- 21
C203 4060	Tension Release Slider	71- 6
C203 4511	Spring Plate Supporter	17- 43
C203 4512	Grounding Spring Plate	17- 35
C203 4515	Drum Clamper Roller	35- 1
C203 4543	Ink Detector	57- 17
C203 5007	Paper Feed Lever	27- 2
C203 5013	Lever Supporter	27- 10
C203 5020	Spring - Feed Roller Pressure	27- 14
C203 5027	Adjusting Plate	27- 16
C203 5043	Pick-up Roller Shaft	27- 36
C203 5045	Bushing - 18x24x28mm	27- 12
C203 5055	Actuator - Paper Feed Table	27- 19
C203 5113	Bushing - 6x9x3mm	27- 17
C203 5113	Bushing - 6x9x3mm	25- 19
C203 5114	Bushing - 3x6x3mm	25- 21
C203 5116	Washer - 6x13x12mm	25- 20
C203 5121	Bushing - 8x12x9mm	25- 15
C203 5131	Gear Cover	25- 11

Part No.	Description	Page and Index No
C203 5135	Bushing - 10x14x5.9	29- 1
C203 5142	Rack Shaft	25- 12
C203 5170	Feed Cam Shaft	21- 12
C203 5194	Shoulder Screw - M4	35- 24
C203 5198	Feed Roller Brake Ass'y	33- 19
C203 5200	Tension Roller	27- 26
C203 5201	Tension Arm	27- 25
C203 5205	Belt Tensioner Ass'y	27- 22
C203 5208	Tension Bracket	27- 23
C203 5215	Tension Spring	27- 24
C203 5220	Gear - 18T	27- 39
C203 5225	Spacer - Tension - Paper Feed	27- 33
C203 6035	Magnet Plate	41- 10
C203 6046	Link - Wing	41- 4
C203 6047	Rubber Washer	41- 3
C203 6065	Pulley Flange	39- 5
C203 8095	Upper Harness Supporter	81- 5
C203 8137	Master Sensor	73- 21
C203 8204	Grounding Wire	79- 19
C207 2005	Seal - 30	15- 36
C207 2209	Pulley - 60Z	19- 20
C207 2210	Timing Belt - 100S4.5M297	19- 24
C207 2211	Bearing Stopper	19- 25
C207 3530	Upper Pulley Shaft	75- 20
C207 3604	Pulley - 40Z	75- 5
C207 3612	Timing Belt - B30S2M126	75- 4
C207 4150	Fixing Screw	69- 14
C207 4611	Front Stopper Guide	53- 3
C207 4670	Gear - 24Z	57- 4
C207 4672	Gear - 36Z	57- 3
C207 5008	Pressure Plate	31- 4
C207 5009	Pressure Plate Holder	31- 3
C207 5010	Adjusting Screw	31- 6
C207 5011	Adjusting Plate	31- 5
C207 5012	Pressure Spring	31- 7

Part No.	Description	Page and Index No.
C207 5013	Pressure Spring - Paper Feed	31- 2
C207 5020	Upper Roller Shaft	27- 32
C207 5023	Separator Roller Ass'y	27- 30
C207 5125	Guide Plate Spacer	33- 13
C207 5138	Upper Feed Roller Ass'y	33- 6
C207 5148	Upper Feed Roller	33- 10
C207 6125	Guide Plate Spring	75- 13
C209 2027	Lever Bracket - Paper Feed	27- 11
C209 2034	Sensor Bracket	33- 5
C209 2050	Front Stay	15- 12
C209 2056	Right Fixing Plate	17- 30
C209 2061	Left Grip - Paper Feed	15- 6
C209 2110	Drive Support Shaft	17- 23
C209 2130	Safety Cover	81- 17
C209 2169	Harness Bracket	81- 9
C209 2207	Pulley - 12Z	19- 23
C209 2214	Gear - 40Z	19- 16
C209 2216	Driver Shaft	19- 17
C209 2218	Drum Drive Gear/pulley	19- 2
C209 2220	Support Gear - 30z	19- 3
C209 2304	Support Side Plate	21- 20
C209 2306	Drum Sensor Bracket	81- 2
C209 2308	Support Bracket - Rear Cover	19- 27
C209 2321	Bracket - Image Shifting	21- 7
C209 2325	Motor Bracket	21- 3
C209 2330	Drum Drive Gear/pulley Ass'y	19- 28
C209 2411	Right Cover Support Bracket	11- 13
C209 2413	Right Cover Bracket	15- 5
C209 2428	Magnet Catch Plate	11- 6
C209 2432	Upper Hinge Bracket	11- 7
C209 2435	Lower Hinge Bracket	11- 9
C209 2469	Door Catch	11- 5
C209 2469	Door Catch	83- 6
C209 2470	Left Cover Cap	11- 11
C209 2558	Upper Pad - Front Door	11- 2

Part No.	Description	Page and Index No
C209 2559	Lower Pad - Front Door	11- 22
C209 2560	Side Pad - Front Door	11- 21
C209 2572	Upper Pad - Rear Cover	11- 29
C209 2574	Side Pad - Rear Cover	11- 30
C209 2579	Lower Pad - Master Eject Box	77- 8
C209 2580	Right Pad - Master Eject Box	77- 11
C209 2581	Left Pad - Master Eject Box	77- 9
C209 2585	Plotter Base Pad - Small	67- 12
C209 3133	Retaining Ring - M6	63- 18
C209 3133	Retaining Ring - M6	79- 16
C209 3501	Front Side Plate	77- 17
C209 3507	Master Eject Sensor Cover	77- 21
C209 3512	Rear Side Plate	77- 6
C209 3516	Master Eject Stay	75- 8
C209 3520	Separation Roller Bushing	75- 26
C209 3521	Arm Connecting Shaft	75- 36
C209 3522	1st Upper Eject Roller	75- 27
C209 3526	Bottom Plate - Master Eject Box	77- 7
C209 3529	Sensor Bracket - Master Eject	75- 10
C209 3530	Sensor Cover - Master Eject	75- 9
C209 3531	Pressure Plate	77- 15
C209 3532	Pressure Plate Shaft	77- 16
C209 3536	Pulley	77- 2
C209 3539	Pressure Arm Shaft	77- 13
C209 3540	Front Pressure Arm	77- 19
C209 3543	Rear Pressure Arm	77- 1
C209 3545	Gear - 62Z	75- 1
C209 3550	Worm Gear - 16/50z	75- 31
C209 3551	Gear - 16/116Z	75- 32
C209 3554	Gear - 60Z	77- 18
C209 3557	Bracket	75- 33
C209 3558	Master Eject Box	79- 6
C209 3558	Master Eject Box	85- 5
C209 3561	Master Eject Sensor	75- 35
C209 3615	Spacer - 6x12x3	77- 20

Part No.	Description	Page and Index No.
C209 3642	Master Eject Stay - Large	77- 12
C209 3643	Lock Stay	77- 22
C209 3661	Solenoid Plate	75- 14
C209 3671	Master Eject Hinge	79- 2
C209 3675	Cover Bracket	79- 4
C209 4019	Plotter Middle Stay	73- 17
C209 4027	Master End Sensor Bracket	67- 29
C209 4059	Lever Knob	67- 33
C209 4059	Lever Knob	41- 9
C209 4063	Lever Shaft	67- 31
C209 4072	Gear - 24Z	71- 7
C209 4074	Lower Master Feed Roller	71- 16
C209 4075	Left Arm - Tension Release	71- 8
C209 4076	Tension Release Arm	67- 35
C209 4076	Tension Release Arm	71- 10
C209 4082	Tension Release Shaft	71- 9
C209 4087	Gide Plate Roller	65- 17
C209 4114	Gear - 20/27Z	73- 19
C209 4128	Harness Bracket	73- 5
C209 4139	Spring Plate	67- 6
C209 4180	Thermal Head Spacer	67- 3
C209 4190	Stud	17- 21
C209 4300	Counter Roller	73- 12
C209 4303	Gear -27z	73- 3
C209 4305	Gear - 16Z	73- 2
C209 4320	Antistatic Brush	71- 11
C209 4516	Slide Guide - Drive Shaft	35- 31
C209 4519	Drum Sensor Bracket	17- 13
C209 4529	Drum Stopper	49- 2
C209 4531	Drum Shaft	55- 16
C209 4540	Screen Plate Spring (DLT)	55- 23
C209 4550	Black Seal - 40x50	55- 20
C209 4566	Drum Lock Shaft	51- 3
C209 4567	Left Arm - Drum Lock	51- 5
C209 4568	Solenoid Bracket - Drum Lock	51- 7

Part No.	Description	Page and Index No
C209 4613	Rear Side Plate - Drum	55- 3
C209 4616	Side Plate Cover - Drum	51- 1
C209 4617	Lower Cover - Drum Side Plate	51- 10
C209 4620	Upper Cover - Drum Side Plate	51- 2
C209 4624	Front Side Plate	51- 9
C209 4634	Drum Lock Spring - Left	51- 11
C209 4637	Right Stopper - Drum Lock	51- 19
C209 4638	Left Stopper - Drum Lock	51- 21
C209 4639	Release Lever - Drum Lock	51- 18
C209 4640	Paper Table Ass'y	23- 2
C209 4641	Ink Holder	49- 31
C209 4642	Drum Lock Spring	51- 22
C209 4654	Spacer - 16x36x5.7	57- 9
C209 4661	Front Side Plate - Ink Roller	57- 24
C209 4662	Rear Side Plate - Ink Roller	57- 7
C209 4664	Ink Roller Stay	57- 23
C209 4666	Ink Roller	57- 22
C209 4672	Gear - 50Z	55- 15
C209 4673	Gear - 62Z	53- 16
C209 4674	Gear - 25Z	49- 11
C209 4677	Clutch Bracket	49- 15
C209 4681	Stopper Plate	53- 15
C209 4682	Screen Front Plate	55- 27
C209 4683	Screen Rear Plate (A4)	55- 22
C209 4688	Gear Support Plate	55- 12
C209 4689	Interrupter Plate	55- 9
C209 4704	Packing - Ink Tube	57- 12
C209 4705	Ink Distributor	57- 15
C209 4711	Hose Band	47- 2
C209 4711	Hose Band	57- 13
C209 4712	Spacer	57- 28
C209 4713	Hose Band	57- 29
C209 4715	Shaft Stay - Ink Roller	57- 16
C209 4722	Doctor Roller	57- 20
C209 4749	Grounding Plate	57- 1

Part No.	Description	Page and Index No.
C209 4814	Metal Screen Mylar	53- 19
C209 4816	Stopper Plate - Ink Antechamber	49- 23
C209 4817	Ink Tube - Small	49- 22
C209 4850	Screen Myler	55- 19
C209 4852	Gear - 46Z	49- 5
C209 4867	Gear - 64Z	49- 18
C209 4923	Right Shaft - Ink Holder	49- 26
C209 4930	Seal - 0.1x5x17	49- 27
C209 4938	Clamper Magnet	55- 24
C209 4941	Clamper Shaft	55- 25
C209 4947	Clamper Rubber	55- 28
C209 5035	Arm - Feed Roller Holder	27- 18
C209 5047	Switch Bracket - Paper Table	23- 12
C209 5055	Bracket - Paper Size	23- 10
C209 5058	Psper Size Plate	25- 23
C209 5080	Stepped Screw	27- 13
C209 5081	Spring Link	27- 15
C209 5090	Rubber Plate - Paper Feed Guide	25- 4
C209 5092	Rubber Plate Lever	25- 7
C209 5200	Gear - 14Z	33- 25
C209 5205	Left Lever Bracket	29- 14
C209 5206	Right Lever Bracket	29- 11
C209 5207	Spring Plate - Left Lever	29- 15
C209 5208	Spling Plate - Right Lever	29- 10
C209 5209	Separation Pressure Lever	29- 13
C209 5210	Left Lever Cover	29- 16
C209 5211	Right Lever Cover	29- 12
C209 5220	Spacer - 4x20x6	27- 1
C209 5225	Feed Roller Holder	27- 20
C209 5235	Paper Table Holder	25- 35
C209 5507	Sensor Actuaitor	37- 1
C209 5521	Joint Shaft	37- 17
C209 5543	Press Roller Spring Link	37- 18
C209 6003	Vacuum Plate Bracket	41- 2
C209 6005	Vacuum Plate	41- 1

Part No.	Description	Page and Index No
C209 6009	Drive Roller - Transport Belt	39- 2
C209 6016	Transport Belt	39- 3
C209 6017	Vacuum Duct	39- 4
C209 6025	Transport Left Wing	41- 7
C209 6028	Transport Right Wing	41- 5
C209 6050	Bushing - 4x8x6 Mm	41- 6
C209 6052	Drive Roller Arm	39- 7
C209 6064	Gear - 28Z	47- 15
C209 6065	Drive Shaft - Vacuum Roller	47- 6
C209 6067	Timing Belt - 220XL025G	47- 26
C209 6104	Exit Cam Shaft	43- 2
C209 6107	Left Exit Cam	43- 27
C209 6110	Right Exit Cam	43- 1
C209 6112	Left Adjusting Lever	43- 29
C209 6113	Right Adjusting Lever	43- 5
C209 6114	Tension Spring	43- 3
C209 6115	Left Adjusting Lever Spring	43- 30
C209 6116	Right Adjusting Lever Spring	43- 4
C209 6126	Stud - M4	45- 45
C209 6136	Magnet Plate	45- 19
C209 6137	Magnet Catch Cover	45- 37
C209 6141	Guide Fence Rail	45- 26
C209 6142	Guide Fence Slider	45- 16
C209 6143	Guide Fence Knob	45- 25
C209 6144	Guide Fence Shaft	45- 14
C209 6144	Guide Fence Shaft	45- 24
C209 6150	End Fence Spring	45- 17
C209 6151	End Fence Support Rail	45- 15
C209 6153	Bracket - Support End Fence	45- 18
C209 6158	End Fence Bracket	45- 6
C209 6160	End Fence Base	45- 4
C209 6161	Left Rail - End Fence (A4)	45- 12
C209 6162	Right Rail - End Fence (A4)	45- 7
C209 6163	Spacer - 10x18x1	45- 49
C209 6163	Spacer - 10x18x1	45- 8

Part No.	Description	Page and Index No.
C209 6164	Rail Spring - End Fence	45- 9
C209 6168	End Fence Washer	45- 10
C209 6175	Stud - M4	43- 16
C209 6176	Delivery Table Angle	43- 15
C209 6177	Stud - M4x11	43- 12
C209 6178	Spacer 8x20x2	43- 14
C209 6179	Spacer - 4x18x2	43- 11
C209 6180	Spring Washer - M8	43- 13
C209 6183	Small End Fence	45- 13
C209 6188	Sensor Actuator - Delivery Table	43- 24
C209 6193	Lock Arm - Delivery Table Sensor	43- 28
C209 6196	Actuator Link - Delivery Table	43- 25
C209 6203	Air Piston Ass'y	47- 12
C209 6204	Gear - 18/48Z	47- 16
C209 6206	Gear Shaft	47- 17
C209 6207	Gear - 75Z	47- 13
C209 6210	Air Pump Drive Shaft	47- 14
C209 6211	Piston Link - Air Pump	47- 11
C209 6213	Piston Pin - Air Pump	47- 10
C209 6215	Piston Valve	47- 7
C209 6216	O-ring - 39	47- 8
C209 6223	Exit Pawl Bracket	47- 20
C209 6225	Hose Clamp	47- 23
C209 6230	Exit Pawl Holder	47- 19
C209 6231	Knob Screw - M4	47- 18
C209 6232	Exit Pawl Shaft	47- 24
C209 6233	Exit Pawl	47- 22
C209 6240	Air Pump Cylinder	47- 4
C209 6241	Front Cylinder Bracket	47- 3
C209 6242	Rear Cylinder Bracket	47- 5
C209 8107	Brower Moter Harness	39- 10
C209 8117	Drum Master Detection Sensor	17- 12
C209 8117	Drum Master Detection Sensor	75- 11
C209 8137	Relay Harness - Ink Detection	57- 18
C209 8140	Grounding Wiar - 65mm	55- 4

Part No.	Description	Page and Index No
C209 8169	Short Harness	55- 1
C209 8197	Paper Size Sensor Harness	23- 11
C209 8197	Paper Size Sensor Harness	25- 31
C209 8202	Commutation Brush	29- 3
C209 8204	Vacuum Fan Motor	39- 9
C209 8227	Ink Supply Solenoid	49- 8
C209 8234	Drum Lock Solenoid	51- 6
C209 8239	Reverse Roller - Magnetic Clutch	73- 18
C209 8260	Micro Motor - Master Eject	75- 18
C209 8262	Release Solenoid	35- 12
C209 8262	Release Solenoid	35- 15
C209 8276	Main Switch	83- 2
C209 8278	LED - DRUM	83- 5
C209 8280	Image Position Sensor	21- 6
C209 8288	Table Down Switch	27- 4
C210 2091	Harness Cover	17- 41
C210 2171	Safety Switch Bracket - Eject Box (230V)	81- 39
C210 2186	Right Cover Bracket	17- 44
C210 2791	Decal - Paper Separation	31- 11
C210 2804	Decal - Caution	97- 4
C210 2805	Decal - Paper Size (LT)	97- 5
C210 2805	Decal - Paper Size (LT)	23- 6
C210 2806	Decal - Paper Size (A4)	23- 6
C210 2806	Decal - Paper Size (A4)	97- 6
C210 2813	Decal - Replacing The Drum Unit	11- 41
C210 6253	Delivery Table (LT)	45- 20
C210 6254	Left Rail - End Fence (LT)	45- 12
C210 6255	Right Rail - End Fence (LT)	45- 7
C210 6262	Delivery Table (A4)	45- 20
C213 3561	Master Eject Sensor Bracket	75- 37
C213 4042	Master Roll Flange	69- 8
C213 4042	Master Roll Flange	85- 1
C213 4810	Ink Antechamber	49- 20
C215 4511	Dram Lock Lever	17- 14
C215 4514	Drun Lock Knob	17- 11

Part No.	Description	Page and Index No.
C215 4515	Drum Lock Link	17- 40
C215 4517	Connector Lock Arm	35- 39
C215 4532	Locking Arm	17- 34
C215 4533	Spring Plate	17- 33
C215 4537	Connector Lock Lever	35- 40
C215 4538	Slid Lock Arm	35- 37
C215 8116	Ink Detecting Board	35- 8
C216 2018	Transformer Bracket	17- 46
C216 8155	Transformer - 235V/105V	17- 47
C217 2453	Rear Cover Cap- Small	11- 26
C217 2454	Rear Cover Cap- Large	11- 27
C217 2455	Key Counter Cover	11- 8
C217 2514	Decal - Main Switch	11- 15
C217 2514	Decal - Main Switch	97- 8
C217 4426	Shoulder Screw	17- 42
C217 4426	Shoulder Screw	81- 41
C217 4598	Front Drum Blade	57- 25
C217 4599	Rear Drum Blade	57- 6
C217 5102	Spring Washer	59- 21
C217 5102	Spring Washer	11- 3
C217 5102	Spring Washer	71- 24
C217 8447	DC Motor - 24V/7.2W	71- 31
C217 8447	DC Motor - 24V/7.2W	75- 34
C218 2012	Rear Right Upper Bracket	81- 22
C218 2013	Rear Center Upper Bracket	81- 21
C218 2014	Rear Left Upper Bracket	81- 20
C218 2015	Rear Scanner Stopper Bracket	81- 16
C218 2022	Rear Cover Left Bracket	81- 18
C218 2024	Flat Cable Cover	17- 8
C218 2026	Grounding Bracket	11- 37
C218 2034	Clamp	11- 38
C218 2047	Lift Moter Cover	21- 1
C218 2051	Main Board Spacer	83- 9
C218 2052	Stud - Main Control Board	83- 22
C218 2070	Safety Switch Bracket - LT	81- 6

Part No.	Description	Page and Index No
C218 2071	Safety Switch Stopper - LT	81- 37
C218 2072	Safety Switch Cover - LT	81- 34
C218 2099	Transformer Cover	17- 45
C218 2120	Board Bracket	15- 8
C218 2160	Upper Lever	43- 22
C218 2164	2nd Left Side Plate	43- 23
C218 2171	Safety Switch Bracket - Eject Box (115V)	81- 39
C218 2172	Safety Switch Lever - LT	83- 31
C218 2172	Safety Switch Lever - LT	81- 36
C218 2173	Support Plate - Safety Switch (LT)	81- 7
C218 2173	Support Plate - Safety Switch - LT	83- 32
C218 2185	Stepper Screw	83- 33
C218 2405	Lower Cover- Operation Panel	11- 18
C218 2423	Paper Feed Table Cover	23- 8
C218 2424	Front Door Ass'y (RIC)	11- 1
C218 2450	Right Cover	11- 32
C218 2455	Master Eject Door	79- 10
C218 2460	Master Eject Cover	79- 9
C218 2500	Scanner Upper Cover	59- 11
C218 2515	Scanner Right Cover	59- 7
C218 2516	Decal - Original Scale - A4	59- 23
C218 2516	Decal - Original Scale - A4	97- 10
C218 2522	Cushion - Large	59- 2
C218 2524	Cushion - Small	59- 8
C218 2525	Stepped Screw - M4	71- 23
C218 2525	Stepped Screw - M4	59- 20
C218 2525	Stepped Screw - M4	11- 23
C218 2535	Scanner Left Cover	59- 1
C218 2560	Scanner Rear Cover	59- 5
C218 2750	Front Left Cover	11- 4
C218 2803	Left Front Cover - LT (RIC)	11- 12
C218 2804	Lever Cover - Paper Feed - LT	27- 5
C218 2807	Platen Cover Ass'y	13- *
C218 2809	Main Switch Cover	11- 16
C218 2816	Decal - Drum Replacement - LT	11- 40

Part No.	Description	Page and Index No.
C218 2816	Decal - Drum Replacement - Lt	97- 11
C218 2817	Decal - Replacement	11- 19
C218 2817	Decal - Replacement	97- 12
C218 2818	Decal - Paper Feed Pressure	27- 7
C218 2818	Decal - Paper Feed Pressure - LT	97- 13
C218 2819	Decal - Paper Table Down (LT)	97- 20
C218 2819	Decal - Paper Table Down (LT)	27- 6
C218 2819	Decal - Paper Table Down	97- 14
C218 2820	Decal - Original Size - LT	59- 23
C218 2821	Decal Font Fixting	97- 15
C218 2822	Decal - Rear Fixting	97- 16
C218 2824	Decal - Original Table - LT	97- 17
C218 2825	Decal - Master Eject Open	97- 18
C218 2825	Decal - Master Eject Open	11- 39
C218 2827	Decal - Master Feed	97- 19
C218 2827	Decal - Master Feed	67- 34
C218 2832	Left Front Cover (RIC-EU)	11- 12
C218 2833	Lower Cover - Paper Feed (A4)	27- 5
C218 2841	Decal - Paper Table Doun (A4)	27- 6
C218 2841	Decal - Paper Table Doun (A4)	97- 20
C218 2910	Caution Decal - French	97- 4
C218 2911	Caution Decal - Spanish	97- 4
C218 2912	Caution Decal - Italian	97- 4
C218 2913	Caution Decal - German	97- 4
C218 3003	Seal - 28x40	65- 25
C218 3017	Scanner Grip Rail	63- 29
C218 3018	Seal - 40x131	59- 22
C218 3020	Stopper Pin	65- 16
C218 3021	Support Plate	65- 29
C218 3022	Scanner Stopper Shaft	65- 30
C218 3025	Contact Grass Cushion	65- 8
C218 3031	Stud	65- 10
C218 3034	H.p Sensor Bracket	59- 14
C218 3036	H.p Sensor Cover	59- 13
C218 3037	Flat Cable Cover	59- 10

Part No.	Description	Page and Index No
C218 3039	Flat Cable Clamp	17- 9
C218 3039	Flat Cable Clamp	61- 9
C218 3041	Right Bracket	59- 6
C218 3043	Lens Base Plate	61- 20
C218 3044	Cover Cushion	59- 24
C218 3045	Guide Mylar	59- 9
C218 3046	Original Exit Guide	59- 3
C218 3051	Philips Screw - M3	63- 38
C218 3053	Arm - Carriage - Fix - Front	63- 35
C218 3053	Arm - Carriage - Fix - Front	63- 4
C218 3054	Pad - 5x5	63- 5
C218 3055	Front Fixed Angle	63- 6
C218 3056	Fixed Shaft Bracket	63- 3
C218 3057	Fixed Shaft	63- 2
C218 3059	Rear Fixed Arm	63- 36
C218 3059	Rear Fixed Arm	63- 7
C218 3060	Rear Fixed Angle	63- 1
C218 3063	Scanner Drive Pulley	63- 22
C218 3068	Timing Pulley - 48Z	63- 25
C218 3069	Timing Pulley - 24Z	63- 23
C218 3072	Timing Belt - B40S2M160	63- 12
C218 3073	Timing Belt - B60S2M126	81- 35
C218 3073	Timing Belt - B60S2M126	63- 13
C218 3074	Timing Belt - B40S2M1274	63- 21
C218 3075	Timing Belt - B40S2M800	63- 20
C218 3078	Scanner Motor Bracket	63- 14
C218 3081	Tension Bracket	63- 8
C218 3082	Tension Spring	63- 10
C218 3083	Tension Spring	63- 15
C218 3086	Motor Cushion	63- 9
C218 3090	Scanner Drive Shaft	63- 33
C218 3091	Timing Pulley Bracket - Front 1	63- 37
C218 3094	Tension Spring	63- 26
C218 3096	Timing Pulley Bracket - Rear 1	63- 28
C218 3099	Timing Pulley Bracket - Front 2	63- 32

Part No.	Description	Page and Index No.
C218 3103	Timing Pulley Bracket - Rear 2	63- 27
C218 3110	Scanner Grip Upper Cover	65- 22
C218 3111	Scanner Grip Shaft	65- 20
C218 3112	Scanner Stopper	65- 15
C218 3116	Stopper Spring 1	65- 14
C218 3117	Stopper Spring 2	65- 13
C218 3118	Scanner Stopper Bracket	65- 12
C218 3123	Slide Rail	15- 2
C218 3123	Slide Rail	15- 20
C218 3124	Spacer	15- 1
C218 3125	Scanner Open Actuator	15- 26
C218 3127	Slide Rail Right Bracket	15- 19
C218 3130	Slide Rail Seal	15- 29
C218 3131	Slide Rail Left Bracket	15- 18
C218 3133	Scanner Base Cushion 1	15- 25
C218 3134	Scanner Base Cushion 2	15- 24
C218 3135	Spacer Cushion	15- 23
C218 3138	Stopper Seal	15- 28
C218 3154	Exposuer Glass (LT)	59- 18
C218 3157	Original Scale - LT	59- 16
C218 3166	Exposure Glass (A4)	59- 18
C218 3171	Seal - 5x30	59- 12
C218 3190	Spring Plate	61- 12
C218 3191	1st Mirror	61- 11
C218 3193	Timing Belt Clamp	61- 5
C218 3205	Original Scale - A4	59- 16
C218 3206	2nd And 3rd Mirror	61- 2
C218 3207	Rear Spring Plate	61- 4
C218 3208	Front Spring Plate	61- 3
C218 3211	Lens Holder	61- 27
C218 3212	Adjusting Pin	61- 23
C218 3213	Adjusting Ball	61- 15
C218 3214	Lens Bracket	61- 26
C218 3223	Adjusting Spring Plate	61- 19
C218 3224	Rear Adjust Spring	61- 28

Part No.	Description	Page and Index No
C218 3225	Front Adjust Spring	61- 25
C218 3226	Shading Plate	61- 21
C218 3426	Platen Cover Right Bracket	65- 4
C218 3430	Knob Screw	65- 2
C218 3431	Platen Cover Shaft	65- 3
C218 3434	Sensor Bracket	65- 6
C218 3438	Platen Cover Left Bracket	65- 1
C218 3446	Magnet Catch Plate	59- 19
C218 3505	Hinge Shaft	79- 1
C218 3506	Boss	79- 15
C218 3532	Pulley Guide	77- 10
C218 4038	Bushing Washer - M8	67- 24
C218 4060	Platen Release Lever	67- 32
C218 4126	Right Connector Bracket	67- 26
C218 4136	Spring Plate	67- 8
C218 4502	Drum Rail Stay	17- 17
C218 4528	Plate Spring - Drum Rail	17- 18
C218 4535	Drum Connector Bracket	35- 41
C218 4536	Ink Detecting Board Bracket	35- 34
C218 4539	Connector Spring	35- 35
C218 4546	Ink Supply Roller Ass'y	57- 34
C218 4558	Front Doctor Roller Ring	57- 30
C218 4559	Rear Doctor Roller Ring	57- 32
C218 4560	Ring Spring	57- 31
C218 4565	Rear Drum Flange (DLT)	55- 14
C218 4592	Front Bank Plate	57- 21
C218 4594	Rear Bank Plate	57- 8
C218 4612	Rear Roller Guide	53- 1
C218 4683	Screen Rear Plate (DLT)	55- 22
C218 4698	Ink Distributor & Tube Ass'y	57- 33
C218 4701	Ink Tube Nipple	57- 11
C218 4703	Ink Tube	57- 14
C218 4936	Drum Clamper Ass'y	55- 21
C218 4945	Drum Clamper Base Ass'y	55- 17
C218 5054	Table Position Knob	25- 18

Part No.	Description	Page and Index No.
C218 5094	Insulating Sheet	83- 20
C218 5526	Spring	37- 19
C218 5554	Press Roller Ass'y	37- 14
C218 5555	Press Roller	37- 4
C218 6119	Delivery Table Cover	45- 21
C218 6219	Air Hose	47- 1
C218 8132	Original Sensor Harness	61- 8
C218 8153	Scanner Flat Cable	61- 13
C218 8153	Scanner Flat Cable	83- 27
C218 8181	Transformer - 115V	17- 47
C218 8200	Main Motor - DC90V 108W	29- 2
C218 8252	Power Supply Cord - 230V	81- 4
C218 8407	Photointerruptor - GP1A34LC	59- 15
C218 8424	Original Sensor	61- 7
C218 8426	Grounding Harness	63- 17
C218 8430	Decal - Newtral	97- 21
C219 2073	Stopper Stud - Paper Feed	35- 17
C219 2075	Feed Gear Stopper Shaft	35- 18
C219 2104	Right Grip - Master Eject	81- 3
C219 2106	Left Grip - Paper Delivery	15- 4
C219 2109	Key Counter Bracket	43- 31
C219 2111	Shaft	15- 13
C219 2111	Shaft	43- 33
C219 2112	Harness Satay	15- 35
C219 2150	Rear Right Grip	15- 22
C219 2152	Rear Cover Bracket	15- 30
C219 2205	Bracket - Drum Rotation Sensor	29- 20
C219 2217	Collar	19- 22
C219 2306	Drum Sensor Bracket	29- 21
C219 2306	Drum Sensor Bracket	37- 20
C219 2315	Tension Shaft	19- 15
C219 2319	Cam Shaft	21- 28
C219 2418	Push Switch Bracket	83- 7
C219 2419	Safety Switch Bracket	83- 19
C219 2428	Switch Plate - Paper Feed Table	17- 24

Part No.	Description	Page and Index No
C219 2440	Lower Harness Cover	17- 49
C219 2441	Upper Harness Cover	17- 48
C219 2454	Master Eject Cover	79- 17
C219 2702	Front Platen Cover	13- 3
C219 2704	Rear Platen Cover	13- 2
C219 2705	Original Holder	13- 1
C219 2705	Original Holder	11- 33
C219 2706	Platen Cover Sensor Actuator	13- 7
C219 2708	Platen Cover Sheet	13- 9
C219 2710	Platen Cover Hinge	13- 6
C219 2711	Hinge Stopper	13- 10
C219 3473	Interface Cover	13- 8
C219 3605	Upper Belt	75- 28
C219 3606	Lower Belt	75- 29
C219 3673	Inner Cover - Master Eject	79- 14
C219 3680	Master Eject Hinge - Small	79- 3
C219 3768	Upper Inner Cover	79- 5
C219 3950	Stepped Screw	43- 19
C219 4023	Seal	67- 16
C219 4071	Gear - 17Z	69- 11
C219 4505	Drum Stopper Ass'y	17- 1
C219 4506	Stopper Base	17- 5
C219 4648	Front Drum Flange	53- 13
C219 4678	Front Drum Flange Cover	53- 14
C219 4679	Rear Shield - Drum Flange	55- 13
C219 5029	Rear Bushing Shaft	27- 40
C219 5030	Bushing	27- 37
C219 5066	Paper Feed Table Ass'y - LT	23- 3
C219 5067	Paper Feed Table Ass'y - A4	23- 3
C219 5073	Stepped Screw	23- 5
C219 5076	Paper Table	25- 16
C219 5079	Supporter	25- 27
C219 5081	Sensor Bracket	25- 36
C219 5105	Sector Gear Stopper	35- 30
C219 5106	Sector Gear Stopper	21- 27

Part No.	Description	Page and Index No.
C219 5108	Sector Stopper - Feed Roller	35- 21
C219 5109	Feed Sector Stopper	35- 20
C219 5122	Paper Feed Sector Cam	35- 25
C219 5127	Sector Gear Shaft	35- 23
C219 6080	Adjusting Lever Shaft	39- 6
C219 6084	Antistatic Brush	43- 9
C219 8021	Paper Detection Board	23- 7
C219 8113	Harness - Paper Detection Board	23- 9
C219 8146	Harness Head Power	67- 17
C219 8171	Microswitch	83- 4
C219 8174	Microswitch	81- 8
C219 8250	Lift Motor - DC 1.69W 0.2A	21- 2
C219 8296	Safety Switch	81- 19
C219 8296	Safety Switch	83- 30
C221 1027	Delivery Table Ass'Y	39- 11
C221 2004	Switch Bracket (A4)	81- 6
C221 2028	Switch Cover Bracket (A4)	81- 34
C221 2124	Cap	81- 24
C221 2128	Support Bracket	81- 25
C221 2210	Driven Gear Ass'y	19- 29
C221 2573	Lower Pad - Rear Cover	11- 31
C221 2575	Large Pad - Rear Cover	11- 28
C221 3519	Roller Arm	75- 24
C221 3537	Pressure Spring	77- 4
C221 4070	Gear Cover	69- 13
C221 5570	Adjusting Plate - Exit Pawl	37- 10
C221 5573	Pressure On/Off Lever	37- 3
C221 6002	Vacuum Base	41- 14
C221 6002	Vacuum Base	39- 8
C221 6037	Right Support Plate	41- 11
C221 6038	Left Support Plate	41- 13
C221 6048	Small Arm	41- 15
C221 6051	Support Arm	41- 8
C221 6115	Delivery Table Bracket	81- 26
C221 6118	Adjusting Lever Shaft	43- 6

Part No.	Description	Page and Index No
C221 6127	Support Plate - Left Stay	45- 35
C221 6128	Support Plate - Right Stay	45- 34
C221 6130	Left Stay - Delivery Table	45- 33
C221 6131	Right Stay - Delivery Table	45- 32
C222 2001	Left Side Plate	15- 3
C222 2002	Right Side Plate	15- 21
C222 2020	Scanner Stopper	81- 15
C222 2062	Left Grip Cover	15- 7
C222 2071	Bottom Stay	15- 11
C222 2072	Bottom Stay	15- 17
C222 2089	Side Plate Bracket	15- 33
C222 2092	Seal	15- 34
C222 2095	Bottom Cover - Delivery Table	15- 32
C222 2098	Bottom Cover	15- 9
C222 2120	Left Bracket - Operation Panel	11- 35
C222 2121	Middle Bracket - Operation Panel	11- 36
C222 2122	Right Bracket - Operation Panel	11- 24
C222 2429	Support Cover - Paper Feed Cover	17- 29
C222 2553	Caution Decal - Master Set	97- 23
C222 2553	Caution Decal - Master Set	73- 8
C222 2554	Decal - Mode	97- 24
C222 2860	Front Right Cover (NRG)	11- 14
C222 2864	Left Front Cover (NRG-LT)	11- 12
C222 2874	Left Front Cover (NRG-EU)	11- 12
C222 3016	Scanner Grip Cover	65- 21
C222 3019	Scanner Harness Cover	61- 33
C222 3120	Spacer	61- 32
C222 3136	Scanner Rail Stopper	15- 27
C222 3150	1st Mirror Bracket	61- 10
C222 3169	Harness Bracket	61- 17
C222 3170	Exposure Glass Sheet	59- 17
C222 3175	Scanner Slider	61- 6
C222 3175	Scanner Slider	25- 38
C222 3178	Fluorescent Lamp Harness Bracket	61- 14
C222 3179	Harness Clip	61- 34

Part No.	Description	Page and Index No.
C222 3185	Mirror Bracket - 2nd/3rd	61- 1
C222 3193	Bushing - 8mm	63- 31
C222 3200	Fluorescent Lamp Harness	61- 16
C222 3232	CCD Board Cover	61- 30
C222 3234	Grounding Plate	61- 37
C222 3235	Grounding Plate	65- 26
C222 4336	Duct Cover	73- 25
C222 4670	Ink Pump	49- 16
C222 4710	Pump Spring - 21 Mm	49- 33
C222 5020	Separation Roller Shaft	29- 7
C222 5121	Position Indicator	25- 33
C222 5216	Rubber Plate - Guide Plate	33- 16
C222 5275	Tension Spring	37- 26
C222 6138	Exit Guide Plate Ass'y (LT)	45- 48
C222 6166	Lower Guide - Rear Fence (LT)	45- 39
C222 6167	Lower Guide - Front Fence (LT)	45- 38
C222 8012	A/D Converter Board	61- 31
C222 8129	Sensor Relay Harness	73- 22
C222 8208	Air Knife Motor	79- 12
C222 8208	Air Knife Motor	73- 23
C222 8216	Stepper Motor - DC2.85V 4.28W	69- 10
C222 8220	Fluorescent Lamp	61- 18
C222 8221	Inverter	63- 30
C222 8236	Press Roller Solenoid	37- 22
C222 8301	Power Supply Unit	43- 7
C222 8415	Scanner Harness	65- 9
C223 2029	Stopper Seal	17- 38
C223 2036	Scanner Stopper Bracket	17- 15
C223 2037	Cushion 1	17- 16
C223 2038	Cushion 2	17- 22
C223 2039	Stopper Bracket	17- 31
C223 2040	Stoper Seal 1	17- 32
C223 2041	Stopper Seal 2	17- 36
C223 2042	Stopper Seal 3	17- 39
C223 2043	Stopper Seal	17- 37

Part No.	Description	Page and Index No
C223 2052	Left Fixing Bracket	17- 7
C223 2054	IPU Board Stud	83- 24
C223 2082	Solenoid Bracket	35- 7
C223 2085	Paper Table Lower Cover	15- 31
C223 2225	Image Shifting Arm Ass'y	21- 30
C223 2226	Gear - 22Z	21- 18
C223 2302	Image Shifting Arm - Large	21- 16
C223 2309	Support Plate	19- 26
C223 2311	Image Shifting Arm - Small	21- 19
C223 2452	Decal - Paper Table Knob	97- 25
C223 2452	Decal - Paper Table Knob	23- 14
C223 2453	Decal - Paper Level	97- 26
C223 2453	Decal - Paper Level	23- 13
C223 2551	Base Pad - Front	85- 2
C223 2553	Base Pad - Rear	85- 3
C223 2586	Lower Plotter Cover	67- 19
C223 2587	Plotter Cover Pad	67- 20
C223 2599	Plotter Base Pad - Large	67- 11
C223 2812	Rear Cover Ass'y	11- 25
C223 2861	Front Door Ass'y - NRG	11- 1
C223 3014	Scanner Stopper Lever	65- 11
C223 3023	Scanner Front Stay	65- 23
C223 3024	Contact Glass Sheet	65- 27
C223 3027	Scanner Rear Stay	65- 7
C223 3108	Scanner Open Grip	65- 18
C223 3109	Grip Bracket	65- 19
C223 3119	Scanner Open Cover	65- 28
C223 3215	CCD Bracket	61- 22
C223 3233	CCD Board Bracket	61- 35
C223 4040	Left Adjusting Plate	67- 9
C223 4068	Front Guide Plate	71- 12
C223 4133	Plotter Base	67- 18
C223 4311	Duct Stay	73- 24
C223 4392	Solenoid Bracket	35- 42
C223 4395	Right Cushion	35- 43

Part No.	Description	Page and Index No.
C223 4396	Left Cushion	35- 44
C223 4398	Lever Cushion	35- 5
C223 4552	Master Exit Lever	35- 28
C223 4553	Master Release Lever	35- 3
C223 4555	Cushion	35- 45
C223 4713	Hose Band	49- 24
C223 4801	Metal Screen - DLT	53- 12
C223 4836	Cloth Screen (DLT)	55- 18
C223 4840	Master Stopper-300x3.5	55- 29
C223 5015	Lower Reverse Roller	29- 8
C223 5031	Lower Spring - Separation	29- 6
C223 5050	Paper Guide Rack	25- 24
C223 5055	Paper Table Arm	25- 30
C223 5073	Paper Table Fixing Bracket	25- 1
C223 5082	Left Side Plate	25- 8
C223 5085	Right Side Plate	25- 10
C223 5090	Motor Bracket	81- 27
C223 5091	Gear Shaft	81- 28
C223 5092	Lifting Gear Cover	81- 23
C223 5093	Lift Motor Bracket	81- 13
C223 5095	Worm Wheel	81- 29
C223 5096	Lift Gear	29- 22
C223 5097	Worm Wheel	81- 12
C223 5098	Support Gear Bracket	81- 30
C223 5099	Worm Gear Shaft	81- 31
C223 5123	Front Shaft - Paper Feed	25- 29
C223 5124	Stepped Screw - M8.2	25- 32
C223 5126	Timing Pulley	81- 32
C223 5128	Left Rack - Paper Feed	25- 14
C223 5133	Paper Lift Shaft	29- 18
C223 5218	Guide Plate Sheet - Separation	33- 26
C223 5255	Solenoid Support Bracket	37- 25
C223 5336	Paper Feed Slider	25- 22
C223 5521	Left Pressure Arm	37- 7
C223 5525	Right Pressure Arm	37- 9

Part No.	Description	Page and Index No
C223 5528	Pressure Stay	37- 8
C223 5529	Support Stay	37- 5
C223 5547	Rear Guide Plate	37- 6
C223 5575	Solenoid Bracket	37- 23
C223 5576	Drive Arm	37- 24
C223 5586	Drive Arm Slider	37- 29
C223 5603	Pressure Shaft - A3	37- 13
C223 6004	Stripper Pawl Cam	37- 11
C223 6019	Idler Roller - Transport Belt	39- 1
C223 6081	Exit Guide Plate	43- 10
C223 6183	End Plate	85- 4
C223 8006	UVEPROM - IC440 - 256K X8 150NS	83- 13
C223 8006	UVEPROM - IC440 - 256K X8 150NS	89- 1
C223 8058	AC Drive Board - 120V	81- 10
C223 8064	AC Drive Board - 230V	81- 10
C223 8072	CCD Board	61- 24
C223 8091	IC - UPD65622GF-184-3	89- 4
C223 8119	Drum Harness	35- 9
C223 8122	Master Exit Harness	75- 7
C223 8123	AC Drive Harness - 120V	15- 14
C223 8214	Stepping Motor	63- 16
C223 8223	AC Drive Harness - 230V	15- 14
C223 8224	DC Solenoid Ass'y	35- 6
C223 8242	Power Supply Cord - 115V	81- 4
C223 8294	Safety Switch	17- 27
C223 8295	Safety Switch Relay Harness	17- 26
C224 4520	Drum Lock Pin	17- 10
C224 5101	Sector Gear	35- 27
C224 5126	Right Rack - Paper Feed	25- 34
C224 5142	Feed Roller Arm	33- 23
C224 8213	DC Motor	81- 11
C224 8452	Master Eject Solenoid	75- 12
C224 8462	Drum Lock Solenoid	35- 33
C225 2866	Decal - Key Top Cover	97- 27
C225 2867	Decal - Cover - Panel - Nashua	97- 27

Part No.	Description	Page and Index No.
C226 6167	End Fence Shaft	45- 3
C227 3533	Pressure Plate Arm	77- 3
C227 6138	Exit Guide Plate Ass'y(A4)	45- 48
C227 6142	Guide Fence Slider	45- 27
C227 6145	Guide Fence Bracket	45- 29
C227 6146	Rear Guide Fence	45- 23
C227 6147	Front Guide Fence	45- 22
C227 6155	Lower Guide Shaft	45- 40
C227 6156	Upper Guide Shaft	45- 41
C227 6157	Guide Fence Spring	45- 28
C227 6158	Guide Stopper	45- 42
C227 6159	End Fence Spring - Large	45- 5
C227 6160	Upper Guide Spring Plate	45- 43
C227 6162	Upper Guide Link	45- 44
C227 6166	Lower Guide - Rear Fence (A4)	45- 39
C227 6167	Lower Guide - Front Fence (A4)	45- 38
C227 6172	Upper Guide - Front Fence	45- 31
C227 6173	Upper Guide - Rear Fence	45- 30
C227 6184	End Fence	45- 1
C227 6196	End Fence Cushion	45- 2
C228 1009	Imaging Unit Ass'y	67- *
C228 1011	Master Eject Unit	75- *
C228 2072	Feed Gear Stopper Shaft	21- 23
C228 2409	Front Right Cover (RIC)	11- 14
C228 2552	Caution Decal - Master Set	11- 34
C228 2552	Caution Decal - Master Set	97- 22
C228 2801	Operation Panel Ass'y (LT)	11- 17
C228 2811	Rear Upper Cover	11- 20
C228 2831	Operation Panel Ass'y (A4)	11- 17
C228 2864	Model Name Plate - SVN 3400DNP	97- 28
C228 2865	Model Name Plate - GES 5390	97- 28
C228 2866	Model Name Plate - REX 1295	97- 28
C228 2867	Model Name Plate - NSA CP385	97- 28
C228 3062	Timing Pulley	63- 34
C228 3063	Timing Pulley	63- 19

Part No.	Description	Page and Index No
C228 3065	Timing Pulley	63- 11
C228 3259	Scanner Ass'y	65- *
C228 3524	1st Lower Eject Roller	75- 30
C228 3574	Blower Fan Bracket	79- 11
C228 3581	Blower Duct	79- 13
C228 4002	Plotter Left Side Plate	67- 10
C228 4013	Plotter Right Side Plate	67- 27
C228 4021	Holder Master	67- 22
C228 4024	Tension Bracket	71- 27
C228 4025	Mater Roller Holder	69- 7
C228 4030	Stay:thermal Head:ass'y	67- 5
C228 4034	Spring:thermal Head	67- 7
C228 4038	Mater Guide Sheet - Large	71- 17
C228 4039	Spacer:thermal Head	67- 4
C228 4040	Platen Roller	69- 5
C228 4050	Thermal Head Cover	67- 25
C228 4054	Thermal Head Cover	67- 36
C228 4056	Thermal Head Guide	67- 37
C228 4057	Tension Roller Guide Mylar	71- 20
C228 4065	Cutter Unit	69- 1
C228 4069	Gear:roller:tension:plotter	71- 3
C228 4073	Upper Master Feed Roller	71- 14
C228 4080	Pressure Release Cam	71- 30
C228 4081	Idle Gear	71- 34
C228 4082	Worm Wheel	71- 33
C228 4083	Pressure Release Shaft	71- 29
C228 4084	Drive Gear	71- 35
C228 4085	Motor Bracket	71- 32
C228 4088	Lower Guide Plate Ass'y	71- 18
C228 4091	Reverse Guide	71- 13
C228 4100	Upper Reverse Roller	73- 14
C228 4105	Lower Reverse Roller	73- 16
C228 4107	Tension Spring	71- 28
C228 4111	Pulley - 38	69- 2
C228 4112	Timing Belt - B114MXI9.5	69- 3

Part No.	Description	Page and Index No.
C228 4115	Torque Limiter	71- 25
C228 4116	Gear:middle:plotter	71- 2
C228 4118	Supporting Plate:drive Sub-unit:plo	71- 1
C228 4120	Cushion:motor:plotter	69- 9
C228 4125	Left Connector Bracket	73- 7
C228 4175	Left Positioning Pin - Thermal Head	69- 12
C228 4176	Right Positioning Pin - Thermal Head	69- 15
C228 4179	Left Holder - Platen Cover	69- 4
C228 4184	Right Holder - Platen Cover	69- 6
C228 4300	Counter Roller	71- 15
C228 4305	Drive Gear	71- 22
C228 4306	Invertor Guide Stay	73- 9
C228 4309	Vacuum Fan Pad	73- 15
C228 4311	Reverse Guide Plate	73- 10
C228 4313	Middle Roller Gear	71- 26
C228 4314	Idle Gear	71- 21
C228 4338	Shield Mylar	73- 26
C228 4340	Duct Support Plate	73- 20
C228 4392	Front Bracket - Thermal Head	67- 2
C228 5016	Front Side Plate	31- 10
C228 5018	Separation Plate	31- 9
C228 5033	Core:paper Feed Roller	27- 35
C228 5061	Right Arm - Separation	29- 9
C228 5062	Left Lever Bracket	29- 4
C228 5094	Insulating Sheet	83- 28
C228 5101	Paper Feed Cam Ass'y	21- 29
C228 5118	Cam:paper Feed:ass'y	21- 13
C228 5122	Cam:feed:double Letter	21- 14
C228 5123	Upper Guide Plate	33- 12
C228 5184	Sector Gear	21- 25
C228 5203	Lower 2nd Feed Roller	33- 20
C228 5215	Lower Guide Plate - Adhesion	33- 15
C228 5223	Lift Cam	21- 26
C228 5561	Pressure Roller Cam	19- 10
C228 5566	Pressure On/off Lever	37- 15

Part No.	Description	Page and Index No
C228 5587	Bracket Sheet Ass'y	37- 28
C228 6030	Autistic Brush - 35mm	41- 16
C228 6101	Delivery Table Unit (A4)	45- *
C228 6166	End Fence Support Plate	45- 11
C228 6271	Delivery Table Unit (LT)	45- *
C228 8001	Image Processing Board	83- 11
C228 8001	Image Processing Board	89- *
C228 8004	UVEPROM - IC438 - 256K X8 150NS	83- 14
C228 8004	UVEPROM - IC438 - 256K X8 150NS	89- 10
C228 8005	UVEPROM - IC435 - 256K X8 150NS	83- 12
C228 8005	UVEPROM - IC435 - 256K X8 150NS	89- 11
C228 8030	IC - Thermal Head Drive	89- 5
C228 8037	Thermal Head - A3	67- 1
C228 8042	Main Control Board	83- 23
C228 8042	Main Control Board	93- *
C228 8045	UVEPROM - IC123 - 512K X8 150NS	83- 8
C228 8045	UVEPROM - IC123 - 512K X8 150NS	93- 3
C228 8047	UVEPROM - IC124 - 512K X8 - 150NS	93- 4
C228 8047	UVEPROM - IC124 - 512K X8 - 150NS	83- 26
C228 8049	LSI - TMP82C79M-2	93- 1
C228 8113	DC Drive Harness (115V)	83- 16
C228 8113	DC Drive Harness (115V)	15- 15
C228 8123	Harness:gate:master Ejection Unit	79- 18
C228 8127	Plotter Unit Harness	83- 10
C228 8128	Imaging Unit Harness	73- 6
C228 8129	Thermal Head Drive Harness	73- 27
C228 8129	Motor Relay Harness	69- 16
C228 8130	Motor Harness	83- 29
C228 8157	Thermal Head Harness	83- 15
C228 8163	Thermal Head Harness - 1	67- 15
C228 8163	Thermal Head Harness	73- 28
C228 8164	Thermal Head Harness - 2	67- 14
C228 8208	DC Drive Harness (230V)	83- 16
C228 8208	DC Drive Harness (230V)	15- 15
C228 8301	DC/DC Converter	67- 13

Part No.	Description	Page and Index No.
C228 8402	Count - IC431	89- 6
C228 8404	Makeup - IC437	89- 7
C228 8405	EIS - IC425	89- 8
C228 8450	IC - MSM511000C-70JS	89- 9
C228 8600	Operating Instructions - English (RIC-EU)	97- *
C228 8607	Operating Instructions - English (RIC-LT)	97- *
C228 8690	Operating Instructions - NRG:EU	97- *
C228 8697	Operating Instructions - NRG/SAVIN NA	97- *
C522 2435	Screw - M3 (A4)	49- 35
C525 2031	Door Hinge	87- 3
C525 2032	Door Catch	87- 4
C525 2038	Caster	87- 7
C525 2039	Caster Stopper	87- 6
C526 2113	Decal - Drum Set	87- 10
C526 2151	Drum Decal - Red	87- 11
C526 2152	Drum Decal - Blue	87- 11
C526 2153	Drum Decal - Green	87- 11
C526 2154	Drum Decal - Brown	87- 11
C526 2200	Option Drum Case	87- 8
C526 2210	Decal - Drum Case	87- 12
C526 2259	Drum Decal - White	87- 11
C526 4633	Spacer (A4)	49- 34
C526 8172	Relay Harness (Option Drum	55- 2
C527 4549	Screen Plate Spring (A4)	55- 23
C528 4817	Metal Screen (A4)	53- 12
C528 4851	Cloth Screen (A4)	55- 18
C528 8172	Relay Harness (A4)	55- 30
C528 8173	Short Connector Color Indication (A4)	55- 31
C546 2020	Left Door	87- 1
C546 2025	Right Door	87- 5
C546 2030	Door Grip	87- 2
C546 2035	Adjusting Screw	87- 9
C559 4900	Rear Drum Flange (A4)	55- 14
H002 2226	Bushing	73- 13
H012 1181	Bushing- 6mm	71- 19

Part No.	Description	Page and Index No
H012 1181	Bushing- 6mm	73- 15
H515 3709	Edgeing	61- 36

Part No.	Description	Page and Index No.
A012 5226	IC - TC19G060AF0027	89- 2
A030 1339	Plate Nut - Key Counter	11- 10
A037 5222	IC - TC23SC100AF	89- 3
A153 6409	Decal - Keytop Cover	97- 27

Part No.	Description	Page and Index No
5053 0223	Bushing - 8mm	47- 21
5053 0419	Bushing - 10mm	27- 38
5053 0447	Bushing - 6mm	73- 4
5054 0536	Magnet Catch Ass'y	51- 8
5054 0536	Magnet Catch Ass'y	67- 23
5056 0188	Bushing - 6mm - Long	71- 4
5056 0509	Nut Plate - Microswitch	83- 3
5070 0923	Spring Washer - Rotating Table	25- 3
5203 5230	Master Sensor	67- 30
5205 2680	Coupled Gear - 16t/53t	21- 5
5205 2681	Coupled Gear - 17t/50t	21- 4
5309 1023	Pinion Paper Feed Table	25- 26
5324 1658	Bushing- 4x8x4.5mm	73- 11
5400 3404	Stepped Screw	51- 17
5403 2048	Bushing - 4mm	17- 25
5403 2075	Stepped Screw	71- 5
5403 2075	Stepped Screw	75- 17
5403 2075	Stepped Screw	35- 38
5403 2075	Stepped Screw	29- 24
5403 6246	Stepped Screw - Cleaning	35- 22
5413 1882	Stepped Screw	49- 1
5413 2274	Spring Anchor - Release Lever	55- 11
5447 2681	Snap Ring	63- 24
5448 2824	Flex Hinge - Platen Cover	13- 4
5501 4719	Rubber Ring - Stopper	17- 19
5501 7559	Spring - Master Feed	35- 10
5501 7559	Spring - Master Feed	43- 26
5501 8180	Flat Spring - Feed Roller Pressure	27- 3
5501 8195	Steel Ball 3/16	27- 43
5501 8328	Spring - Feed Roller Brake	33- 18
5505 3598	Spring - Ratch - Control Section	49- 9
5505 6528	Spring - Press Roller	33- 11
5505 7197	Spring - Hinge - Inking	25- 25
5506 1536	Screw - M4X6	25- 2
5506 4169	Rubber Roller - Paper Feed	27- 29

Part No.	Description	Page and Index No.
5506 4235	Plate Nut - Paper Pressure	27- 9
5506 4608	Bushing - Paper Hold/down Roller -	75- 23
5506 6069	Step Screw - Etching Middle Roller	55- 6
5506 6111	Stepped Screw - M4	53- 8
5506 6197	Screw - Knife Cam - LEADING EDGE CL	45- 46
5506 6197	Screw - Knife Cam - Leading Edge CL	43- 8
5506 6314	Mylar - Master Feed Table	25- 9
5507 6032	Timing Belt Pulley - 30T	27- 31
5507 6035	Timing Belt - 162XL	27- 34
5507 6038	Torque Limitter - Paper Feed Roller	27- 41
5507 6060	Guide Screw - Front Plate	31- 8
5507 6624	Bushing - 8x16x45mm	49- 6
5507 6828	Rubber Plate - Feed Table	23- 1
5600 1081	Right Bushing - Paper Feed Roller	27- 42
5600 1086	Spacer - 10.2x20	27- 28
5600 1107	Snap Retainer - 12	27-116
5600 1107	Snap Retainer - 12	25- 17
5600 1379	Spring	51- 16
5603 1045	Screw - M5	43- 32
5603 1045	Screw - M5	45- 47
5606 2066	Paper Feed Guide Disc	27- 27
5606 2310	Roller	25- 13
5607 2814	Roller Spring	37- 12
5607 3927	Stepped Screw - M3x8	45- 36
5875 2088	Shoulder Screw - M4	65- 24
5875 2088	Shoulder Screw - M4	59- 4

Part No.	Description	Page and Index No
0252 0080Z	Philips Pan Head Screw - M2x8	17-102
0312 5050Z	Philips Pan Head Screw - M2.5x5	71-102
0313 0030Z	Philips Pan Head Screw - M3x3	71-109
0313 0030Z	Philips Pan Head Screw - M3x3	67-101
0313 0030Z	Philips Pan Head Screw - M3x3	67-102
0313 0030Z	Philips Pan Head Screw - M3x3	75-101
0313 0030Z	Philips Pan Head Screw - M3x3	75-111
0313 0040B	Philips Pan Head Screw - M3x4	21-100
0313 0040Z	Philips Pan Head Screw - M3x4	35-107
0313 0040Z	Philips Pan Head Screw - M3x4	43-102
0313 0040Z	Philips Pan Head Screw - M3x4	49-101
0313 0040Z	Philips Pan Head Screw - M3x4	41-108
0313 0040Z	Philips Pan Head Screw - M3x4	57-106
0313 0050W	Philips Pan Head Screw - M3x5	31-103
0313 0050W	Philips Pan Head Screw - M3x5	13-102
0313 0050Z	Philips Screw - 3x5	57-117
0313 0050Z	Philips Screw - 3x5	29-109
0313 0050Z	Philips Screw - 3x5	75-106
0313 0050Z	Philips Screw - 3x5	71-112
0313 0050Z	Philips Screw - 3x5	73-105
0313 0050Z	Philips Screw - 3x5	63-102
0313 0050Z	Philips Screw - 3x5	17-114
0313 0060Z	Philips Pan Head Screw - M3x6	71-101
0313 0060Z	Philips Pan Head Screw - M3x6	83-100
0313 0060Z	Philips Pan Head Screw - M3x6	67-100
0313 0060Z	Philips Pan Head Screw - M3x6	61-101
0313 0060Z	Philips Pan Head Screw - M3x6	37-112
0313 0060Z	Philips Pan Head Screw - M3x6	47-110
0313 0060Z	Philips Pan Head Screw - M3x6	45-104
0313 0060Z	Philips Pan Head Screw - M3x6	81-109
0313 0060Z	Philips Pan Head Screw - M3x6	73-100
0313 0060Z	Philips Pan Head Screw - M3x6	65-102
0313 0060Z	Philips Pan Head Screw - M3x6	59-105
0313 0080Z	Philips Screw - 3x8	73-112
0313 0100Z	Philips Pan Head Screw - M3x10	41-103

Part No.	Description	Page and Index No.
0313 0100Z	Philips Pan Head Screw - M3x10	23-108
0313 0120Z	Philips Screw - 3x12	17-110
0313 0140Z	Philips Pan Head Screw - M3x14	77-109
0313 0140Z	Philips Pan Head Screw - M3x14	73-111
0313 0140Z	Philips Pan Head Screw - M3x14	83-103
0313 0350Z	Pan Head Screw - M3x35	73-109
0313 0350Z	Pan Head Screw - M3x35	79-107
0314 0050Z	Philips Pan Head Screw - M4x5	75-104
0314 0050Z	Philips Pan Head Screw - M4x5	47-109
0314 0060W	Philips Pan Head Screw - M4x6	13-101
0314 0060Z	Philips Pan Head Screw - M4x6	69-101
0314 0060Z	Philips Pan Head Screw - M4x6	17-108
0314 0060Z	Philips Pan Head Screw - M4x6	79-108
0314 0060Z	Philips Pan Head Screw - M4x6	61-102
0314 0060Z	Philips Pan Head Screw - M4x6	67-103
0314 0060Z	Philips Pan Head Screw - M4x6	27-111
0314 0060Z	Philips Pan Head Screw - M4x6	15-100
0314 0060Z	Philips Pan Head Screw - M4x6	65-101
0314 0060Z	Philips Pan Head Screw - M4x6	51-105
0314 0060Z	Philips Pan Head Screw - M4x6	77-110
0314 0060Z	Philips Pan Head Screw - M4x6	81-108
0314 0060Z	Philips Pan Head Screw - M4x6	49-113
0314 0060Z	Philips Pan Head Screw - M4x6	71-110
0314 0060Z	Philips Pan Head Screw - M4x6	21-124
0314 0060Z	Philips Pan Head Screw - M4x6	59-101
0314 0060Z	Philips Pan Head Screw - M4x6	57-114
0314 0080Z	Philips Screw - 4x8	83-113
0314 0080Z	Philips Screw - 4x8	55-100
0314 0080Z	Philips Screw - 4x8	79-102
0314 0080Z	Philips Screw - 4x8	25-102
0314 0080Z	Philips Screw - 4x8	63-100
0314 0080Z	Philips Screw - 4x8	77-102
0314 0080Z	Philips Screw - 4x8	81-100
0314 0080Z	Philips Screw - 4x8	27-105
0314 0080Z	Philips Screw - 4x8	57-103

Part No.	Description	Page and Index No.
0314 0080Z	Philips Screw - 4x8	15-101
0314 0080Z	Philips Screw - 4x8	29-113
0314 0080Z	Philips Screw - 4x8	47-100
0314 0080Z	Philips Screw - 4x8	33-102
0314 0080Z	Philips Screw - 4x8	21-103
0314 0080Z	Philips Screw - 4x8	41-109
0314 0080Z	Philips Screw - 4x8	17-107
0314 0080Z	Philips Screw - 4x8	43-103
0314 0100Z	Philips Screw - 4x10	27-100
0314 0100Z	Philips Screw - 4x10	37-102
0314 0100Z	Philips Screw - 4x10	35-106
0314 0120Z	Philips Screw - 4x12	25-100
0314 0120Z	Philips Screw - 4x12	57-111
0314 0160Z	Philips Pan Head Screw - M4x16	81-112
0314 0200Z	Philips Screw - 4x20	35-104
0314 0200Z	Philips Screw - 4x20	33-103
0315 0060Z	Philips Screw - 5x6	19-117
0315 0080Z	Philips Screw - 5x8	21-117
0315 0120Z	Philips Screw - 5x12	15-104
0323 0050Z	Philips Sunken Head Screw - M3x5	53-101
0323 0060Z	Philips Sunk Screw - M3x6	55-110
0323 0060Z	Philips Sunk Screw - M3x6	19-100
0323 0060Z	Philips Sunk Screw - M3x6	45-103
0323 0060Z	Philips Sunk Screw - M3x6	17-101
0323 0100Z	Philips Sunken Head Screw - M3x10	67-109
0323 0100Z	Philips Sunken Head Screw - M3x10	27-103
0324 0060Z	Philips Sunken Head Screw - M4x6	59-107
0324 0060Z	Philips Sunken Head Screw - M4x6	65-107
0324 0060Z	Philips Sunken Head Screw - M4x6	15-108
0333 0080D	Philips Counter Sunk Screw - M3x8	11-103
0343 0060W	Philips Pan Head Screw - M3x6	45-101
0344 0060D	Philips Truss Head Screw - M4x6	59-102
0344 0060D	Philips Truss Head Screw - M4x6	59-100
0344 0080D	Philips Truss Head Screw - M4x8	11-102
0433 0060W	Tapping Screw - M3x6	47-101

Part No.	Description	Page and Index No.
0433 0060W	Tapping Screw - M3x6	77-103
0433 0080Z	Tapping Screw - M3x8	37-111
0434 0060Z	Pan Head Self-tapping Screw - M4x6	79-103
0434 0060Z	Pan Head Self-tapping Screw - M4x6	67-105
0434 0060Z	Pan Head Self-tapping Screw - M4x6	77-107
0434 0060Z	Pan Head Self-tapping Screw - M4x6	51-100
0434 0060Z	Pan Head Self-tapping Screw - M4x6	75-102
0434 0060Z	Pan Head Self-tapping Screw - M4x6	49-107
0434 0060Z	Pan Head Self-tapping Screw - M4x6	73-113
0434 0062W	Pan Head Tapping Screw - M4x6	79-106
0434 0080Z	Pan Head Self-tapping Screw - M4x8	79-100
0434 0080Z	Pan Head Self-tapping Screw - M4x8	49-111
0434 0080Z	Pan Head Self-tapping Screw - M4x8	21-102
0434 0080Z	Pan Head Self-tapping Screw - M4x8	35-101
0434 0080Z	Pan Head Self-tapping Screw - M4x8	83-106
0434 0080Z	Pan Head Self-tapping Screw - M4x8	81-103
0434 0080Z	Pan Head Self-tapping Screw - M4x8	43-108
0434 0080Z	Pan Head Self-tapping Screw - M4x8	27-104
0434 0080Z	Pan Head Self-Tapping Screw - M4x8	33-105
0434 0080Z	Pan Head Self-tapping Screw - M4x8	17-105
0434 0080Z	Pan Head Self-tapping Screw - M4x8	69-102
0434 0080Z	Pan Head Self-tapping Screw - M4x8	31-101
0434 0080Z	Pan Head Self-tapping Screw - M4x8	41-100
0434 0080Z	Pan Head Self-tapping Screw - M4x8	15-102
0434 0080Z	Pan Head Self-tapping Screw - M4x8	67-104
0434 0082Z	Tapping Screw - M4x8	57-113
0434 0100Z	Pan Head Self-tapping Screw - M4x10	17-104
0434 0100Z	Pan Head Self-tapping Screw - M4x10	51-103
0444 0080W	Hexagon Head Tapping Screw - M4x8	79-110
0450 3008W	Philips Tapping Screw - M3x8	45-105
0450 4008W	Philips Tapping Screw - M4x8	45-107
0452 4012Z	Tapping Bind Screw - M4x12	13-103
0573 0030E	Hexagon Headless Set Screw - M3x3	69-104
0573 0040E	Hexagon Headless Set Screw - M3x4	57-110
0573 0040E	Hexagon Headless Set Screw - M3x4	63-105

Part No.	Description	Page and Index No
0573 0050E	Hexagon Headless Set Screw - M3x5	21-122
0574 0040E	Hexagon Headless Set Screw - M4x4	29-106
0574 0040E	Hexagon Headless Set Screw - M4x4	79-109
0574 0040E	Hexagon Headless Set Screw - M4x4	27-113
0574 0040E	Hexagon Headless Set Screw - M4x4	19-106
0574 0040E	Hexagon Headless Set Screw - M4x4	81-116
0574 0040E	Hexagon Headless Set Screw - M4x4	69-100
0574 0050E	Hexagon Headless Set Screw - M4x5	49-106
0574 0050E	Hexagon Headless Set Screw - M4x5	19-119
0574 0050E	Hexagon Headless Set Screw - M4x5	55-115
0574 0050E	Hexagon Headless Set Screw - M4x5	29-112
0575 0080E	Hexagon Headless Set Screw - M5x8	55-104
0575 0080E	Hexagon Headless Set Screw - M5x8	53-107
0575 0080E	Hexagon Headless Set Screw - M5x8	57-108
0584 0101Z	Hexagon Bolt - M4x10	37-113
0584 0121Z	Hexagon Bolt - M4x12	47-111
0584 0121Z	Hexagon Bolt - M4x12	37-107
0585 0100Z	Bolt - M5x10	21-108
0585 0161B	Hexagon Bolt - M5x16	25-104
0586 0451Z	Hexagon Bolt - M6x45	37-106
0593 0080E	Bolt - M3x8	47-113
0593 0100E	Bolt M3x10	33-108
0594 0060E	Socket Screw - 4X6	57-105
0594 0060E	Socket Screw - 4X6	35-118
0594 0060E	Socket Screw - 4X6	25-114
0594 0060E	Socket Screw - 4X6	21-119
0594 0060E	Socket Screw - 4X6	37-109
0594 0080E	Bolt - M4x8	57-115
0594 0080E	Bolt - M4x8	27-110
0594 0080E	Bolt - M4x8	19-101
0594 0080E	Bolt - M4x8	25-113
0594 0080E	Bolt - M4x8	17-112
0594 0080Z	Bolt - M4x8	53-108
0594 0080Z	Bolt - M4x8	55-102
0594 0120E	Hexagon Bolt - M4x12	39-111

Part No.	Description	Page and Index No.
0594 0200E	Hexagon Bolt - M4x20	57-107
0595 0080E	Hexagon Bolt - M5x8	53-105
0595 0080Z	Bolt - M5x8	49-112
0595 0120E	Socket Screw - M5X12	19-110
0595 0120E	Socket Screw - M5X12	15-103
0595 0140E	Hexagon Bolt - M5x14	57-109
0595 0140E	Hexagon Bolt - M5x14	37-114
0595 0140E	Hexagon Bolt - M5x14	55-103
0595 0140E	Hexagon Bolt - M5x14	53-106
0622 0060E	Spring Pin - 2x6mm	35-100
0622 0250E	Spring Pin M2x250	17-103
0623 0080E	Spring Pin - 3x8mm	51-104
0623 0080E	Spring Pin - 3x8mm	49-104
0623 0100E	Spring Pin - 3x10mm	35-120
0623 0100E	Spring Pin - 3x10mm	35-102
0623 0100E	Spring Pin - 3x10mm	37-121
0623 0120E	Spring Pin - 3X12	75-107
0623 0140E	Spring Pin - 3x14mm	19-116
0623 0140E	Spring Pin - 3x14mm	35-116
0623 0160E	Spring Pin - 3x16mm	47-115
0623 0160E	Spring Pin - 3x16mm	39-105
0623 0180E	Spring Pin - 3x18mm	47-116
0623 0200E	Spring Pin - 3x20mm	19-115
0623 0200E	Spring Pin - 3x20mm	29-111
0624 0160E	Spring Pin - 4x16mm	29-110
0700 0060G	Flat Washer - M6	35-121
0700 0060Z	Flat Washer - M6	25-110
0701 0030Z	Flat Washer - M3	73-110
0701 0030Z	Flat Washer - M3	61-107
0701 0040Z	Flat Washer - M4	35-117
0701 0040Z	Flat Washer - M4	37-110
0701 0040Z	Flat Washer - M4	21-118
0701 0040Z	Flat Washer - M4	27-109
0701 0040Z	Flat Washer - M4	25-115
0701 0050Z	Flat Washer - M5	21-109

Part No.	Description	Page and Index No
0701 0060Z	Flat Washer - M6	71-103
0701 0080Z	Flat Washer - M8	25-103
0701 0080Z	Flat Washer - M8	43-104
0705 0040B	Toothed Washer	79-111
0705 0040B	Toothed Washer	25-112
0705 0040B	Toothed Washer	11-105
0705 0040B	Toothed Washer	81-106
0707 3050B	Bushing - 3x5mm	41-105
0707 3080B	Bushing - M3x8	41-106
0707 4160B	Bushing - 4x16mm	49-105
0707 6120B	Bushing - 6x12mm	21-121
0707 8105B	Bushing - M8x10.5	45-102
0710 0040Z	Hex Nut 4	47-112
0710 0040Z	Hex Nut 4	37-108
0712 0060Z	Hexagon Nut - M6	19-113
0712 0060Z	Hexagon Nut - M6	21-104
0712 0060Z	Hexagon Nut - M6	39-101
0713 0040B	Hexagon Nut - M4	33-110
0713 0040B	Hexagon Nut - M4	27-118
0713 0040B	Hexagon Nut - M4	65-106
0713 0040B	Hexagon Nut - M4	29-100
0713 0040B	Hexagon Nut - M4	35-114
0713 0040B	Hexagon Nut - M4	23-107
0713 0050B	Hexagon Nut - M5	43-111
0713 0050B	Hexagon Nut - M5	47-107
0713 0050B	Hexagon Nut - M5	19-111
0713 0050B	Hexagon Nut - M5	35-119
0713 0050B	Hexagon Nut - M5	65-111
0713 0050B	Hexagon Nut - M5	17-109
0713 0050B	Hexagon Nut - M5	21-120
0713 0080B	Flanged Hexagon Nat - M8	47-108
0720 0020Z	Retaining Ring - M2	73-101
0720 0020Z	Retaining Ring - M2	83-115
0720 0020Z	Retaining Ring - M2	81-110
0720 0025Z	Retaining Ring - M2.5	73-102

Part No.	Description	Page and Index No.
0720 0030Z	Retaining Ring - M3	75-103
0720 0030Z	Retaining Ring - M3	77-105
0720 0030Z	Retaining Ring - M3	37-118
0720 0030Z	Retaining Ring - M3	65-108
0720 0030Z	Retaining Ring - M3	47-102
0720 0030Z	Retaining Ring - M3	45-100
0720 0040Z	Retaining Ring - M4	73-103
0720 0040Z	Retaining Ring - M4	71-100
0720 0040Z	Retaining Ring - M4	35-110
0720 0040Z	Retaining Ring - M4	77-104
0720 0040Z	Retaining Ring - M4	71-106
0720 0040Z	Retaining Ring - M4	75-100
0720 0040Z	Retaining Ring - M4	31-102
0720 0040Z	Retaining Ring - M4	71-107
0720 0040Z	Retaining Ring - M4	27-106
0720 0040Z	Retaining Ring - M4	43-109
0720 0040Z	Retaining Ring - M4	47-103
0720 0040Z	Retaining Ring - M4	27-108
0720 0040Z	Retaining Ring - M4	37-117
0720 0040Z	Retaining Ring - M4	67-108
0720 0040Z	Retaining Ring - M4	25-106
0720 0040Z	Retaining Ring - M4	21-101
0720 0050Z	Retaining Ring - M5	17-106
0720 0050Z	Retaining Ring - M5	75-108
0720 0050Z	Retaining Ring - M5	57-104
0720 0050Z	Retaining Ring - M5	21-123
0720 0050Z	Retaining Ring - M5	49-110
0720 0050Z	Retaining Ring - M5	71-104
0720 0050Z	Retaining Ring - M5	33-101
0720 0050Z	Retaining Ring - M5	27-117
0720 0050Z	Retaining Ring - M5	77-113
0720 0050Z	Retaining Ring - M5	53-103
0720 0050Z	Retaining Ring - M5	35-115
0720 0060Z	Retaining Ring - M6	37-104
0720 0060Z	Retaining Ring - M6	51-106

Part No.	Description	Page and Index No
0720 0060Z	Retaining Ring - M6	25-107
0720 0060Z	Retaining Ring - M6	77-106
0720 0060Z	Retaining Ring - M6	43-100
0720 0060Z	Retaining Ring - M6	27-119
0720 0060Z	Retaining Ring - M6	49-108
0720 0060Z	Retaining Ring - M6	47-104
0720 0070Z	Retaining Ring - M7	67-107
0720 0080Z	Retaining Ring - M8	39-103
0720 0080Z	Retaining Ring - M8	77-111
0720 0080Z	Retaining Ring - M8	47-105
0720 0080Z	Retaining Ring - M8	19-109
0720 0080Z	Retaining Ring - M8	29-102
0720 0080Z	Retaining Ring - M8	39-106
0720 0080Z	Retaining Ring - M8	21-106
0720 0080Z	Retaining Ring - M8	21-111
0720 0080Z	Retaining Ring - M8	35-109
0720 0100Z	Retaining Ring - M10	43-101
0720 0120Z	Retaining Ring - M12	37-101
0720 0120Z	Retaining Ring - M12	81-113
0725 0100Z	Retaining Ring - M10	19-103
0725 0160E	Retaining Ring C - M16	57-101
0725 0220Z	Retaining Ring - M22	35-111
0740 3007	Ball Bearing - 7x19x6mm	37-105
0740 3007	Ball Bearing - 7x19x6mm	35-112
0740 3010	Ball Bearing - 10x26x8mm	33-104
0740 3010	Ball Bearing - 10x26x8mm	19-112
0740 3206	Ball Bearing - 6x19x6	37-116
0740 3808	Ball Bearing - 8x16x5mm	33-109
0741 3506	Ball Bearing - 6x12x4 Mm	39-102
0741 3706	Ball Bearing - 6x10x3	81-114
0741 3706	Ball Bearing - 6x10x3	73-114
0741 3807S	Ball Bearing - 7x14x5	19-114
0741 3807S	Ball Bearing - 7x14x5	21-105
0741 3908S	Ball Bearing - 8x19x6	19-118
0800 0084	Philips Pan Head Screw - M2.3x12	23-106

Part No.	Description	Page and Index No.
0800 0084	Philips Pan Head Screw - M2.3x12	83-104
0801 1004	Screw - M4X4	61-105
0801 1004	Screw - M4X4	65-110
0801 1004	Screw - M4X4	13-100
0801 1004	Screw - M4X4	29-108
0801 1004	Screw - M4X4	15-107
0801 1004	Screw - M4X4	33-100
0801 1004	Screw - M4X4	27-102
0801 1004	Screw - M4X4	63-101
0801 1004	Screw - M4X4	17-113
0801 1135	Philips Pan Head Screw - M3x3	21-113
0802 5097	Tapping Screw - M3x10	11-108
0802 5149	Tapping Screw - M4x9	11-106
0804 4046	Spring Pin - 4x16	19-105
0804 4048	Spring Pin - 4x20	19-104
0804 4055	Pin	27-112
0804 4060	Spring Pin - M4x22	37-115
0804 4061	Spring Pin - M6	29-105
0804 6074	Hexagon Bolt - M4x8	63-104
0804 6090	Hexagon Bolt - M4	33-111
0804 6091	Hexagonal Set Screw - M2x5	55-116
0804 6092	Hexagonal Set Screw	19-108
0804 6092	Hexagonal Set Screw	55-111
0804 6101	Hexagon Bolt - M3	35-103
0805 0084	Retaining Ring	33-106
0805 3104	Ball Bearing - 8x22x7mm	21-112
0805 3134	Ball Bearing - 10x26x8mm	19-102
0805 3263	Bearing - 6x10x6mm	27-115
0805 3452	Ball Bearing - 10x22x6mm	39-107
0805 3452	Ball Bearing - 10x22x6mm	47-114
0805 6009	Rubber Foot	15-105
0807 3041	Spring Washer	75-109
0807 3083	Washer	17-111
0807 3103	Washer - 4x13x2.3mm	55-108
0807 4118	Flat Washer	77-112

Part No.	Description	Page and Index No
0807 4126	Flat Washer - 6.2x12x0.2mm	55-107
0807 5004	Washer	35-113
0807 5013	Flat Washer - M8.4	43-110
0807 5044	Spacer - 8.1mm x 11.5mm x 0.2	55-106
0807 5076	Washer - 8x13x2.2mm	55-109
0807 7013	Spacer - 10.2x14x0.2 mm	47-106
0807 7013	Spacer - 10.2x14x0.2 mm	29-101
0807 7013	Spacer - 10.2x14x0.2 mm	21-110
0807 7013	Spacer - 10.2x14x0.2 mm	19-107
0807 7055	Holder - Main Shaft	21-107
0807 7064	Spacer	81-105
0807 7114	Washer - 16x24x0.3mm	55-105
0807 7114	Washer - 16x24x0.3mm	57-102
0808 0021	Rubber Ring	49- 19
0950 5012B	Philips Screw With Flat Washer - M5x12	87-102
0951 3004Z	Philips Screw With Flat Washer - M3x4	37-119
0951 3004Z	Philips Screw With Flat Washer - M3x4	23-109
0951 3004Z	Philips Screw With Flat Washer - M3x4	83-101
0951 3005Z	Philips Pan Head Screw - M3x5	27-107
0951 3005Z	Philips Pan Head Screw - M3x5	23-102
0951 3005Z	Philips Pan Head Screw - M3x5	29-107
0951 3005Z	Philips Pan Head Screw - M3 X 5	71-108
0951 3005Z	Philips Pan Head Screw - M3x5	51-101
0951 3006Z	Philips Screw With Flat Washer - M3x6	61-100
0951 3006Z	Philips Screw With Flat Washer - M3x6	35-105
0951 3006Z	Philips Screw With Flat Washer - M3x6	25-108
0951 3006Z	Philips Screw With Flat Washer - M3x6	25-109
0951 3006Z	Philips Screw With Flat Washer - M3x6	17-100
0951 3006Z	Philips Screw With Flat Washer - M3x6	15-109
0951 3006Z	Philips Screw With Flat Washer - M3x6	27-101
0951 3006Z	Philips Screw With Flat Washer - M3x6	75-105
0951 3006Z	Philips Screw With Flat Washer - M3x6	83-112
0951 3008Z	Philips Screw With Flat Washer - M3x8	83-117
0951 3008Z	Philips Screw With Flat Washer - M3x8	25-111
0951 3008Z	Philips Screw With Flat Washer - M3x8	73-106

Part No.	Description	Page and Index No.
0951 3008Z	Philips Screw With Flat Washer - M3x8	43-106
0951 3012Z	Philips Screw W/h Flat Washer - M3x12	41-104
0951 3012Z	Philips Screw W/h Flat Washer - M3x12	83-105
0951 4006B	Philips Screw With Washer - M4x6	87-100
0951 4006Z	Philips Screw With Flat Washer - M4	35-108
0951 4006Z	Philips Screw With Flat Washer - M4	73-107
0951 4006Z	Philips Screw With Flat Washer - M4	21-125
0951 4006Z	Philips Screw With Flat Washer - M4	53-104
0951 4006Z	Philips Screw With Flat Washer - M4	55-113
0951 4006Z	Philips Screw With Flat Washer - M4	49-100
0951 4006Z	Philips Screw With Flat Washer - M4	57-100
0951 4006Z	Philips Screw With Flat Washer - M4	11-107
0951 4006Z	Philips Screw With Flat Washer - M4	69-103
0951 4006Z	Philips Screw With Flat Washer - M4	33-107
0951 4008Z	Philips Screw With Flat Washer M4x8	25-105
0951 4008Z	Philips Screw With Flat Washer M4x8	39-108
0951 4008Z	Philips Screw With Flat Washer M4x8	53-100
0951 4008Z	Philips Screw With Flat Washer M4x8	29-104
0951 4008Z	Philips Screw With Flat Washer M4x8	61-104
0951 4008Z	Philips Screw With Flat Washer M4x8	39-100
0951 4008Z	Philips Screw With Flat Washer M4x8	37-100
0951 4008Z	Philips Screw With Flat Washer M4x8	57-116
0951 4008Z	Philips Screw With Flat Washer M4x8	55-114
0951 4010Z	Philips Screw With Flat Washer M4x10	27-120
0951 4010Z	Philips Screw With Flat Washer M4x10	49-109
0951 4020Z	Philips Screw With Flat Washer - M4	49-103
0951 5035Z	Philips Screw W/T Flat Washer - M3x35	15-106
0952 4008W	Philips Screw - M4x8	31-100
0952 4008W	Philips Screw - M4x8	55-112
0960 3006B	Philips Flange Screw - M3 X 6	83-114
0960 3006Z	Philips Flange Screw - M3x6	71-111
0960 3006Z	Philips Flange Screw - M3x6	37-120
0960 3008B	Philips Flange Screw - M3x8	87-101
0960 4005Z	Philips Flange Screw - M4x5	77-101
0960 4006Z	Philips Frang Screw - M4x6	61-103

Part No.	Description	Page and Index No
0960 4006Z	Philips Frang Screw - M4x6	51-102
0960 4006Z	Philips Frang Screw - M4x6	49-102
0960 4006Z	Philips Frang Screw - M4x6	59-103
0960 4006Z	Philips Frang Screw - M4x6	53-102
0960 4008W	Philips Flange Screw - M4x8	65-109
0960 4008Z	Flange Head Screw - 4 X 8	29-103
0960 4008Z	Flange Head Screw - 4 X 8	81-111
0960 4008Z	Flange Head Screw - 4 X 8	65-100
0960 4008Z	Flange Head Screw - 4x8	19-120
0960 4008Z	Flange Head Screw - 4x8	51-107
0960 4008Z	Flange Head Screw - 4 X 8	83-108
0960 4008Z	Flange Head Screw - 4x8	47-117
0960 4008Z	Flange Head Screw - 4 X 8	21-114
0960 4008Z	Flange Head Screw - 4x8	39-110
0960 4010Z	Philips Flange Screw - M4X10	83-107
0960 5008Z	Philips Flange Screw - M5x8	21-115
0964 3006Z	Tapping Screw With Flat Washer - M3	41-107
0964 4006Z	Tapping Screw W/flat Washer -m4x6	63-106
0964 4008Z	Tapping Screw W/washer - M4x8	75-110
0964 4008Z	Tapping Screw W/washer - M4x8	73-104
0964 4010Z	Tapping Screw W/Washer - M4x10	79-101
0964 4010Z	Tapping Screw W/Washer - M4x10	77-100
0965 3006Z	Tapping Screw With Flat Washer - M3x6	11-100
0965 3006Z	Tapping Screw With Flat Washer - M3x6	79-105
0965 3008W	Tapping Screw With Flat Washer - M3x8	61-109
0965 3008W	Tapping Screw With Flat Washer-m3x8	61-106
0965 3010W	Tapping Screw With Flat Washer - M3x1	23-101
0965 3012W	Tapping Screw With Flat Washer - M3	45-106
0965 4008W	Tapping Screw With Flat Washer - M4x8	11-104
1101 0328	Connector Pin Contact	93-101
1101 0328	Connector Pin Contact	89-101
1102 2098	Connector - 12P	55-101
1102 4209	CT Header - 10P	93-102
1102 4212	CT Header - 15P	93-103
1102 4818	Connector - 20P	93-104

Part No.	Description	Page and Index No.
1102 4819	Connector - 22P	93-105
1102 4823	Connector - 30P	93-106
1102 5219	Connector - 28P	93-107
1102 5221	Connector - 26P	93-108
1102 5561	Connector - 20P	93-109
1102 5563	Connector - 24P	93-110
1102 5571	CT Connector	89-102
1102 6576	Connector - 60P	89-103
1102 6593	Connector - 9P	93-111
1102 6602	Connector - 11P	89-104
1102 7036	Connector - 30P	93-112
1102 7290	Connector - 5P	93-113
1102 7297	Connector - 120P	89-105
1103 0507	Connector - 6P	89-106
1103 1332	Connector - 26P	89-107
1104 0351	Fuse Holder	93-114
1104 0373	IC Socket - 28PIN	89-108
1104 0373	IC Socket - 28PIN	93-115
1104 0378	IC Socket - 24p - DICF-24CS-E	93-116
1104 0589	Dip Socket - 32p	89-109
1105 0005	Nylon Clamp - 3n	59-104
1105 0005	Nylon Clamp - 3n	61-108
1105 0005	Nylon Clamp - 3n	21-126
1105 0011	Nylon Clamp - 8n	65-103
1105 0016	Nylon Clamp - 4n	39-109
1105 0021	Cord Clamper	37-122
1105 0042	Wire Band	23-104
1105 0046	Harness Band	81-104
1105 0108	Nylon Clip	79-104
1105 0144	Harness Clamp	65-104
1105 0172	Clamp	41-101
1105 0193	Nylon Stud	67-106
1105 0209	Clamp	57-112
1105 0209	Clamp	15-110
1105 0225	Spacer - W Rocking	63-103

Part No.	Description	Page and Index No
1105 0413	Harness Clamp	73-108
1106 0103	Universal Bushing	65-105
1106 0430	Bushing - 13mm	81-101
1107 0354	Fuse - 3.15A 125V	43-107
1107 0354	Fuse - 3.15a 125v	81-117
1107 0413	Fuse (glass Case) - 3A - 125V	83-110
1107 0413	Fuse (glass Case) - 3A - 125V	93-117
1107 0415	Fuse (Glass Case) - 5A - 125V	43-105
1107 0415	Fuse (Glass Case) - 5A - 125V	83-111
1107 0415	Fuse (Glass Case) - 5A - 125V	93-118
1107 0782	Circuit Breaker - 5A (230V)	83-109
1107 0788	Circuit Breaker - 6A (115V)	83-109
1204 1015	Dip Switch	93-119
1204 1442	Micro Switch - V-152-3A5(10E)	83-102
1204 1481	Dip Switch	93-120
1204 1490	Micro Switch - V-53-1A3	77-108
1204 2239	Micro Switch	23-105
1204 2239	Micro Switch	83-116
1204 2353	Switch - PS3670-02	59-106
1400 0403	Transistor - 2SC1623L6	93-121
1400 0455	Transistor - 2SC2873Y	93-122
1401 0398	IC - STA402A	93-123
1401 0400	Transistor Array - SLA4060	93-124
1401 0835	Diode - 1SS190	93-125
1401 0876	IC - PA2003GR	93-126
1401 0877	IC - TD62083F	93-127
1402 0476	Diode - 1SS184	93-128
1402 1263	Diode - 200v - 1A	93-129
1403 0456	Photosensor - EE-SB5-C3	23-110
1403 0669	Red LED - S1m-13vw	93-130
1403 0690	Sensor - T1p1215	23-103
1403 0691	Photo Sensor	41-102
1407 1535	IC - TD62308AP	93-131
1407 1600	TTLIC - SN74LS244NS	89-110
1407 1600	TTLIC - SN74LS244NS	93-132

Part No.	Description	Page and Index No.
1407 1746	TTL - SN74LS240NS	93-133
1407 1746	TTL - SN74LS240NS	89-111
1407 1813	IC - SN74LS11NS	93-134
1407 1882	TTLIC - SN74LS373NS	93-135
1407 2077	TTLIC - SN74LS138NS	93-136
1407 2077	TTLIC - SN74LS138NS	89-112
1407 2187	TTLIC - SN74LS07NS	93-137
1407 2218	TTLIC - SN74LS06NS	93-138
1407 2249	TTL - SN74LS174NS	89-113
1407 2261	IC - NJM2902M	93-139
1407 2273	IC - TA8050P	93-140
1407 2348	IC - TC4051BF	93-141
1407 2594	IC - SN74LS151NS	93-142
1407 3281	IC - TC74HCU04AF	89-114
1407 3492	Cpu -78c10agf	93-143
1407 3627	IC - SN74LS145NS	93-144
1407 3677	IC - MN8357	89-115
1407 3708	IC - SLA7026M	89-116
1407 3885	IC - Timer - UPD71054GB-10-3B4	93-145
1407 4127	IC - TL7705ACPS	93-146
1407 4315	IC - TE7751	93-147
1407 4514	IC - SD1642-120	93-120
1407 4565	IC - TE6251	93-148
1407 4612	IC - CY7C167A-35VC	89-117
1408 0456	IC - AN6914S	93-149
1408 0595	IC - NJM2904M	93-150
1408 0735	IC - HA17339F	93-151
1408 1104	IC - MB2803PF-G	93-152
1503 0443	Crystal Oscillator - 20mhz	89-118
1503 0570	Oscillator - 15MHZ	93-153
1600 1214	Resistor-0.68 Ω 2w	89-119
1601 7216	Resistor Array - 4.7K Ω 1/8W	93-154
1601 7220	Resistor Array - 10K Ω 1/8W	93-155
1601 7377	Resistor Array - 15K Ω \pm 5% 1/8W	93-156
1601 7396	Resistor Array - 4.7K Ω	93-157

Part No.	Description	Page and Index No
1601 7404	Resistor Array - 10K Ω 1/2W	93-158
1601 8145	Variable Resistor - 5K Ω 0.5W	93-159
1601 8157	Variable Resistor - 100K Ω	93-160
1601 8186	Variable Resistor - 200K Ω	93-161
1601 8371	Resistor 2k Ω 1/2w	93-162
1602 0991	Noise Filter - 115V	81-102
1604 2089	Capacitor - 1.0 μ F 1/8W \pm 20%	93-163
1606 1981	Capacitor - 0.0033 μ F \pm 5%	93-164
1606 1983	Capacitor - 0.015 μ F \pm 5% 50V	93-165
1606 1984	Capacitor - 0.022 μ F \pm 5% 50V	93-166
1606 1985	Capacitor - 0.033 μ F \pm 5% 50V	93-167
1606 1986	Capacitor - 0.1 μ F \pm 5% 16V	93-168
1606 2028	Capacitor - 0.22 μ F \pm 5%	93-169
1607 0001	Coil - SN-8S-500	93-170
1607 0280	Inductor - Blm41	93-171
1607 0477	Coil - BLM21A121SPB	93-172
1607 0477	Coil - BLM21A121SPB	89-120
1607 0742	Noise Filter - 230V	81-102
1607 0806	Filter - BK2125HS431	89-121
1611 4221	Resistor - 220 Ω 1/4T \pm 5%	93-173
1611 6361	Resistor - 360 Ω 1/8T \pm 5%	93-174
1611 6470	Resistor - 47 Ω 1/2T \pm 5%	93-175
1630 2101	Resistor - 100 Ω 1/8W	93-176
1630 2221	Resistor - 220 Ω	93-177
1630 3101	Resistor - 100 Ω - 1/10W	89-122
1630 3102	Resistor - 1K Ω 1/10W \pm 5%	93-178
1630 3102	Resistor - 1K Ω 1/10W \pm 5%	89-123
1630 3103	Resistor - 10K Ω 1/10W \pm 5%	93-179
1630 3103	Resistor - 10K Ω 1/10W \pm 5%	89-124
1630 3105	Resistor - 1M Ω \pm 5% 1/10W	89-125
1630 3124	Resistor - 120 Ω \pm 5% 1/10W	93-180
1630 3133	Resistor - 13K Ω \pm 5% 1/10W	93-181
1630 3151	Resistor - 150 Ω \pm 5% 1/10W	93-182

Part No.	Description	Page and Index No.
1630 3154	Resistor - 150K 0HM $\pm 5\%$ 1/10W	93-183
1630 3163	Resistor - 16K Ω $\pm 5\%$	93-184
1630 3202	Resistor - 2K Ω - 1/10W	89-126
1630 3203	Resistor - 20 Ω $\pm 5\%$ 1/10W	93-185
1630 3222	Resistor - 2.2K Ω 1/10W $\pm 5\%$	93-186
1630 3223	Resistor - 22k Ω - 1/10W	93-187
1630 3242	Resistor - 2.4K Ω $\pm 5\%$ 1/10W	93-188
1630 3242	Resistor - 2.4K Ω $\pm 5\%$ 1/10W	89-127
1630 3244	Resistor - 240K Ω $\pm 5\%$ 1/10W	93-189
1630 3302	Resistor - 3k Ω - 1/10W	93-190
1630 3303	Resistor - 30K Ω $\pm 5\%$ 1/10W	93-191
1630 3332	Resistor - 3.3K Ω 1/10W $\pm 5\%$	93-192
1630 3333	Resistor - 33K Ω $\pm 5\%$ 1/10W	93-193
1630 3391	Resistor - 390 Ω 1/10W $\pm 5\%$	93-194
1630 3393	Resistor - 39K Ω 1/10W	93-195
1630 3471	Resistor - 470 Ω - 1/10W	89-128
1630 3471	Resistor - 470 Ω - 1/10W	93-196
1630 3472	Resistor - 4.7K Ω 1/10W $\pm 5\%$	93-197
1630 3472	Resistor - 4.7K Ω 1/10W $\pm 5\%$	89-129
1630 3473	Resistor - 47K Ω 1/10W $\pm 5\%$	93-198
1630 3473	Resistor - 47K Ω 1/10W $\pm 5\%$	89-130
1630 3511	Resistor - 510 Ω $\pm 5\%$ 1/10W	93-199
1630 3511	Resistor - 510 Ω $\pm 5\%$ 1/10W	89-131
1630 3513	Resistor - 51K Ω $\pm 5\%$ 1/10W	93-200
1630 3514	Resistor - 510K Ω $\pm 5\%$ 1/10W	93-201
1630 3562	Resistor - 5.6K Ω +5% 1/10W	93-202
1630 3682	Resistor - 6.8k Ω - 1/10W	93-203
1630 3683	Resistor - 68K Ω $\pm 5\%$ 1/10W	93-204
1630 3822	Resistor - 8.2K Ω 1/10W $\pm 5\%$	93-205
1630 3823	Resistor - 82K Ω $\pm 5\%$ 1/10W	93-206
1630 3824	Resistor - 820K Ω $\pm 5\%$ 1/10W	93-207
1633 3601	Resistor - 3.6K Ω $\pm 5\%$ 1/10W	93-208

Part No.	Description	Page and Index No
1633 4121	Resistor - 4.12K Ω $\pm 1\%$	93-209
1633 4991	Resistor - 4.99K Ω $\pm 1\%$	93-110
1633 6041	Resistor - 6.04K Ω $\pm 1\%$	93-111
1640 2101	Capacitor - 100 μ F $\pm 20\%$ 25V	93-112
1640 5100	Capacitor - 10 μ F +20% 35V	93-113
1640 5101	Capacitor - 100 μ F $\pm 20\%$ 50V	89-132
1640 5221	Capacitor - 220 μ F $\pm 20\%$ 50V	93-114
1642 0101	Capacitor - 100 μ F $\pm 20\%$ 50V	89-133
1642 2470	Capacitor - 47 μ F $\pm 20\%$ 25V	89-134
1642 5479	Capacitor-4.7 μ F 50v	89-135
1660 3101	Capacitor - 100pF 50V	89-136
1660 3101	Capacitor - 100pF 50V	93-115
1660 3102	Capacitor - 1000pF $\pm 5\%$ 50V	93-116
1660 3102	Capacitor - 1000pF $\pm 5\%$ 50V	89-137
1660 3150	Capacitor - 15pF 50V	89-138
1660 3151	Capacitor - 150pF $\pm 5\%$ 50V	89-139
1660 3151	Capacitor - 150pF $\pm 5\%$ 50V	93-117
1660 3220	Capacitor - 122pF $\pm 5\%$ 50V	89-140
1660 3221	Capacitor - 220pF $\pm 5\%$ 50V	89-141
1660 3471	Capacitor - 470pF 50V	89-142
1660 5103	Capacitor - 10000pF $\pm 10\%$ 50V	89-143
1660 5103	Capacitor - 10000pF $\pm 10\%$ 50V	93-118
1660 5222	Capacitor - 2200pF $\pm 10\%$ 50V	89-144
1660 7104	Capacitor - 100000pF 50V	89-145
1660 9104	C - 0.1 μ F 25v	89-146
1660 9104	C - 0.1 μ F 25v	93-119
1902 0003	Sram - 64k - X8 - 100ns	89-147
1904 0013	SRAM 256K X8 20NS G2	89-148
2701 0101	Metal Screen Seal	53- 11